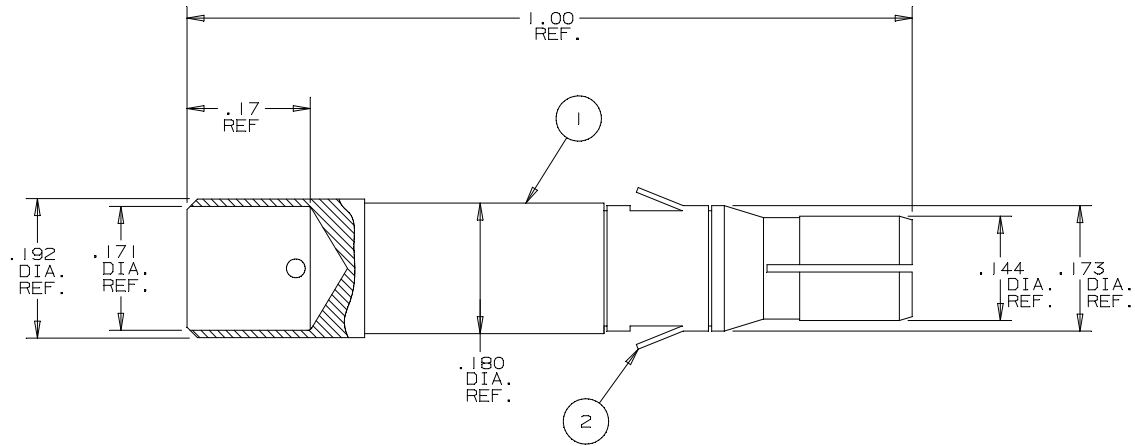


DO NOT SCALE DRAWING

THE INFORMATION CONTAINED HEREIN IS THE EXCLUSIVE PROPERTY OF VIRGINIA PANEL CORP. AND IS SUBMITTED FOR USE BY THE CUSTOMER ONLY. THE DATA SHALL NOT BE DUPLICATED, USED, OR DISCLOSED IN WHOLE OR IN PART FOR ANY PURPOSE OTHER THAN TO MAINTAIN THE EQUIPMENT PROVIDED.

REVISIONS

ZONE	REV	DESCRIPTION	DATE	APPROVED
	B	INCORPORATED ECN #1588	10/3/95	FDM



CUSTOMER DRAWING

610115125 .000030 AU

FIND NO.	QTY REQD	CODE IDENT	PART NO.	DESCRIPTION	SOURCE OF SUPPLY
2	1		250559	RETAINING RING	4148 00 103
1	1			MALE SHIELD CONDUCTOR	4148 62 101

PARTS LIST

DIMENSIONS ARE IN INCHES UNLESS OTHERWISE SPECIFIED.		CONTRACT NO.		SIGNATURES		DATE		VIRGINIA PANEL CORP.	
TOLERANCES ARE:		DR							
DEC. XX ± N. A.		FRAC ± N. A.		CHK		H BURGERS		9/94	
.XXX ± N. A.		ANG ± N. A.		ENG					
REMOVE BURRS. BREAK SHARP EDGES		MATERIAL		APPD		H BURGERS		9/2/94	
NEXT ASSY		USED ON		FINISH		SIZE		FSCM NO.	
APPLICATION		N. A.		APPD		C 18 17		DWG. NO.	
						4148 62 000		REV B	
						SCALE: 8:1		41486200 10/3/95 SHEET 1 OF 1	