

4

3

2

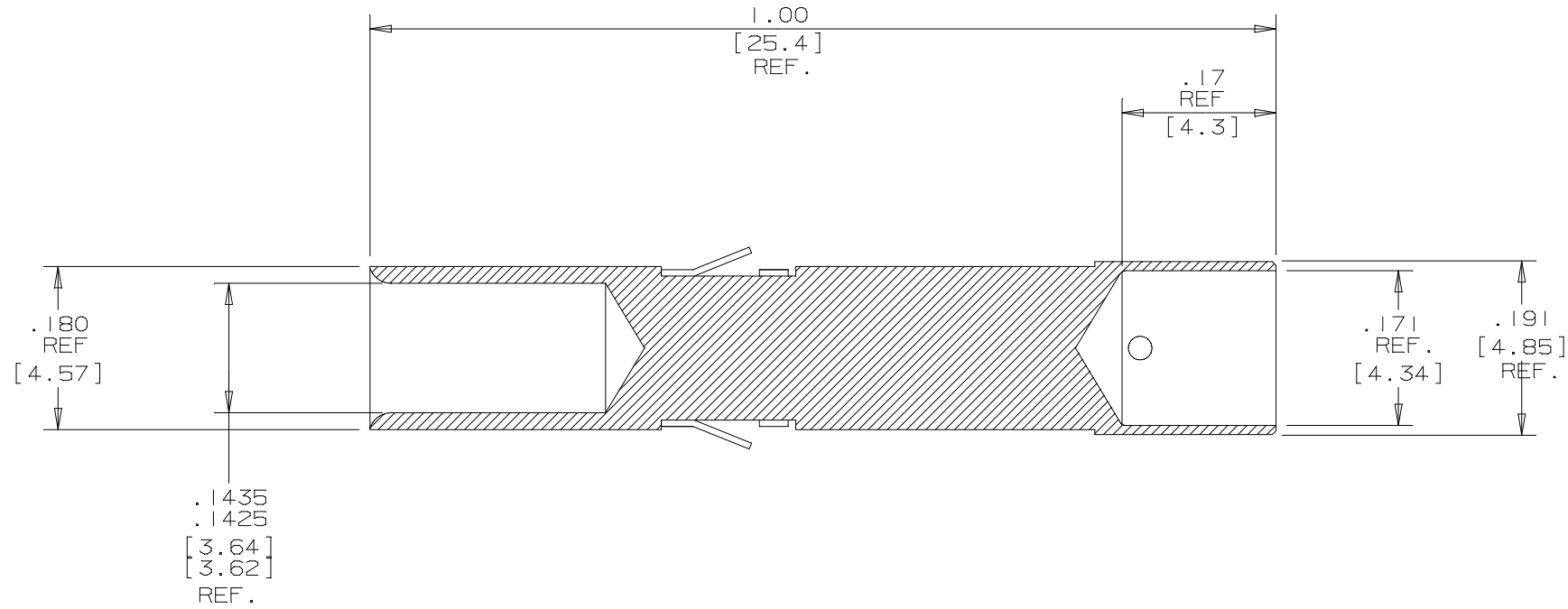
1

DO NOT SCALE DRAWING

THE INFORMATION CONTAINED HEREIN IS THE EXCLUSIVE PROPERTY OF VIRGINIA PANEL CORP. AND IS SUBMITTED FOR USE BY THE CUSTOMER ONLY. THE DATA SHALL NOT BE DUPLICATED, USED, OR DISCLOSED IN WHOLE OR IN PART FOR ANY PURPOSE OTHER THAN TO MAINTAIN THE EQUIPMENT PROVIDED.

REVISIONS

ZONE	REV	DESCRIPTION	DATE	APPROVED
	C	ECN C470	1/15/91	FDM



610116112

CUSTOMER DRAWING		CUSTOMER DRAWING	
DIMENSIONS ARE SHOWN AS:		SIGNATURES	
INCHES		DR C. WINE	DATE 2/5/88
MILIMETERS		CHK H BURGERS	9/21/88
MATERIAL		ENG	
FINISH		PROD	
		ASSY H BURGERS	9/21/88
		Q A	
		APPD	
		VIRGINIA PANEL CORP. WWW.VPC.COM	
		FEMALE MINI POWER ASSEMBLY	
		SIZE FSCM NO.	DWG. NO. 4148 06 000
		C 18 17	REV C
		SCALE: 8:1	41480600 2/17/88 SHEET 1 OF 1

NOTES:  
 1 FOR APPLICATION, CARE AND USE INFORMATION  
 PLEASE CONSULT VPC USERS GUIDE @ WWW.VPC.COM

4

3

2

1