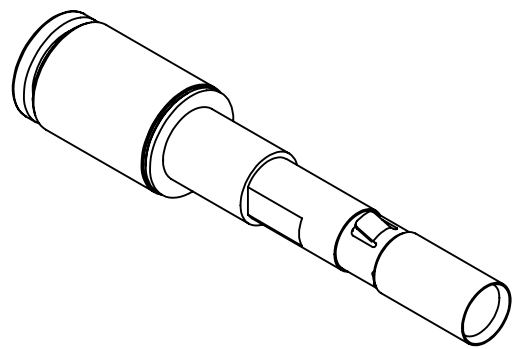
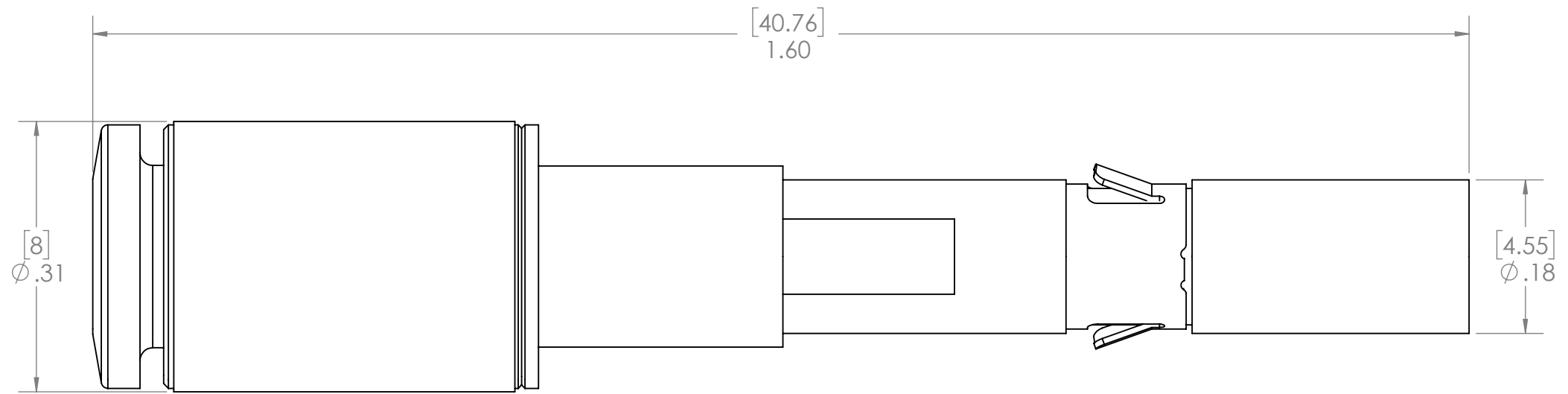


THE INFORMATION CONTAINED HEREIN IS THE EXCLUSIVE PROPERTY OF VIRGINIA PANEL CORPORATION AND IS SUBMITTED FOR USE BY THE CUSTOMER ONLY. THE DATA SHALL NOT BE DUPLICATED, USED, OR DISCLOSED IN WHOLE OR IN PART FOR ANY PURPOSE OTHER THAN TO MAINTAIN THE EQUIPMENT PROVIDED.

REV	DESCRIPTION	DATE	ENGINEER
D	ECN #8912	2/21/2019	R GARMAN



- NOTES:
5. CONTACT FITS MINI POWER AND MINI COAXIAL MODULES
  4. CONTACT DIAMETER PROHIBITS USE IN ADJACENT CONTACT POSITIONS.
  3. RECOMMENDED PRESSURE: 6.9 BAR (100 psi) MAX
  2. COMPATIBLE WITH 4MM OD TUBING.
  1. FOR APPLICATION USE AND CARE INFORMATION CONSULT VPC USERS GUIDE @ WWW.VPC.COM

**CUSTOMER DRAWING**



PNEUMATIC CONTACT, RCV,  
PUSH FITTING, 4MM OD

RELATIVE CONNECTOR POSITIONS AND WIRE ROUTING ARE GENERIC AND MAY VARY WITH PINOUT  
DIMENSIONS ARE SHOWN AS:  
[MILLIMETERS]  
INCHES

DWG.NO.	REV	
<b>610131111</b>	D	
SCALE	CAGE CODE	SHEET
2:1	18117	1 OF 1