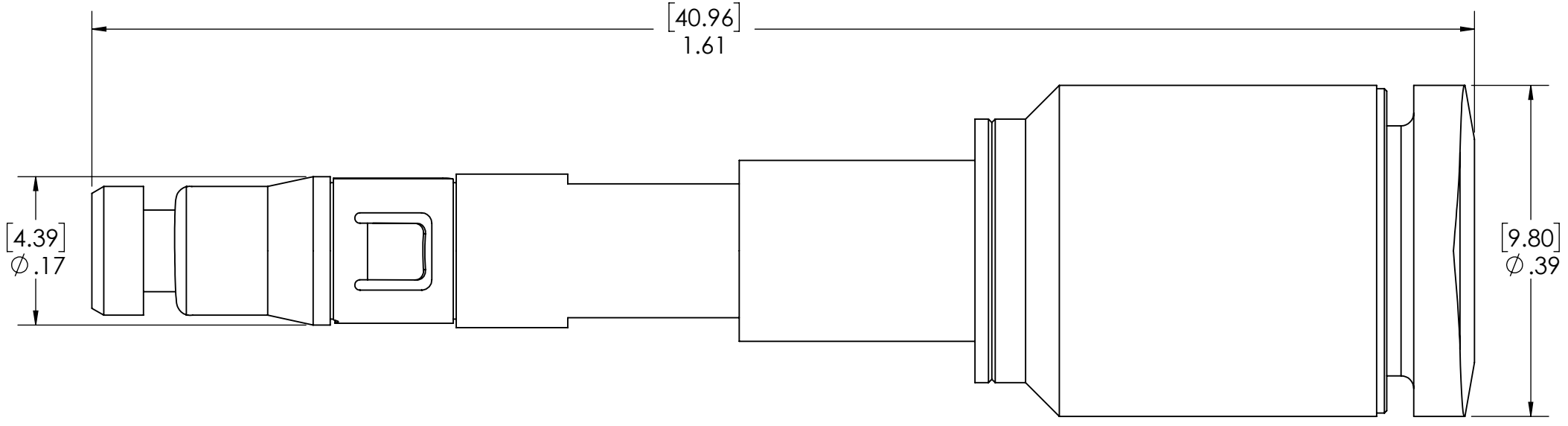
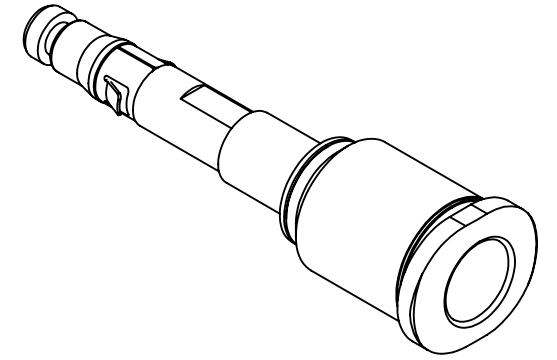


THE INFORMATION CONTAINED HEREIN IS THE EXCLUSIVE PROPERTY OF VIRGINIA PANEL CORPORATION AND IS SUBMITTED FOR USE BY THE CUSTOMER ONLY. THE DATA SHALL NOT BE DUPLICATED, USED, OR DISCLOSED IN WHOLE OR IN PART FOR ANY PURPOSE OTHER THAN TO MAINTAIN THE EQUIPMENT PROVIDED.

REV	DESCRIPTION	DATE	ENGINEER
B	ECN #8377	7/12/2018	R GARMAN



- NOTES:
1. FOR APPLICATION USE AND CARE INFORMATION CONSULT VPC USERS GUIDE @ WWW.VPC.COM
 2. COMPATIBLE WITH 6MM OD TUBING.
 3. RECOMMENDED PRESSURE: 14 BAR MAX
 4. CONTACT DIAMETER PROHIBITS USE IN ADJACENT CONTACT POSITIONS OR CONTACT POSITIONS ADJACENT TO BACKSHELL IN I-SERIES APPLICATIONS.
 5. CONTACT FITS MINI POWER AND MINI COAXIAL MODULES.

CUSTOMER DRAWING



PNEUMATIC CONTACT, ITA, PUSH FITTING, 6MM OD

RELATIVE CONNECTOR POSITIONS AND WIRE ROUTING ARE GENERIC AND MAY VARY WITH PINOUT

DIMENSIONS ARE SHOWN AS:
[MILLIMETERS]
INCHES

DWG. NO.	REV	
610132112	B	
SCALE	CAGE CODE	SHEET
2:1	18117	1 OF 1