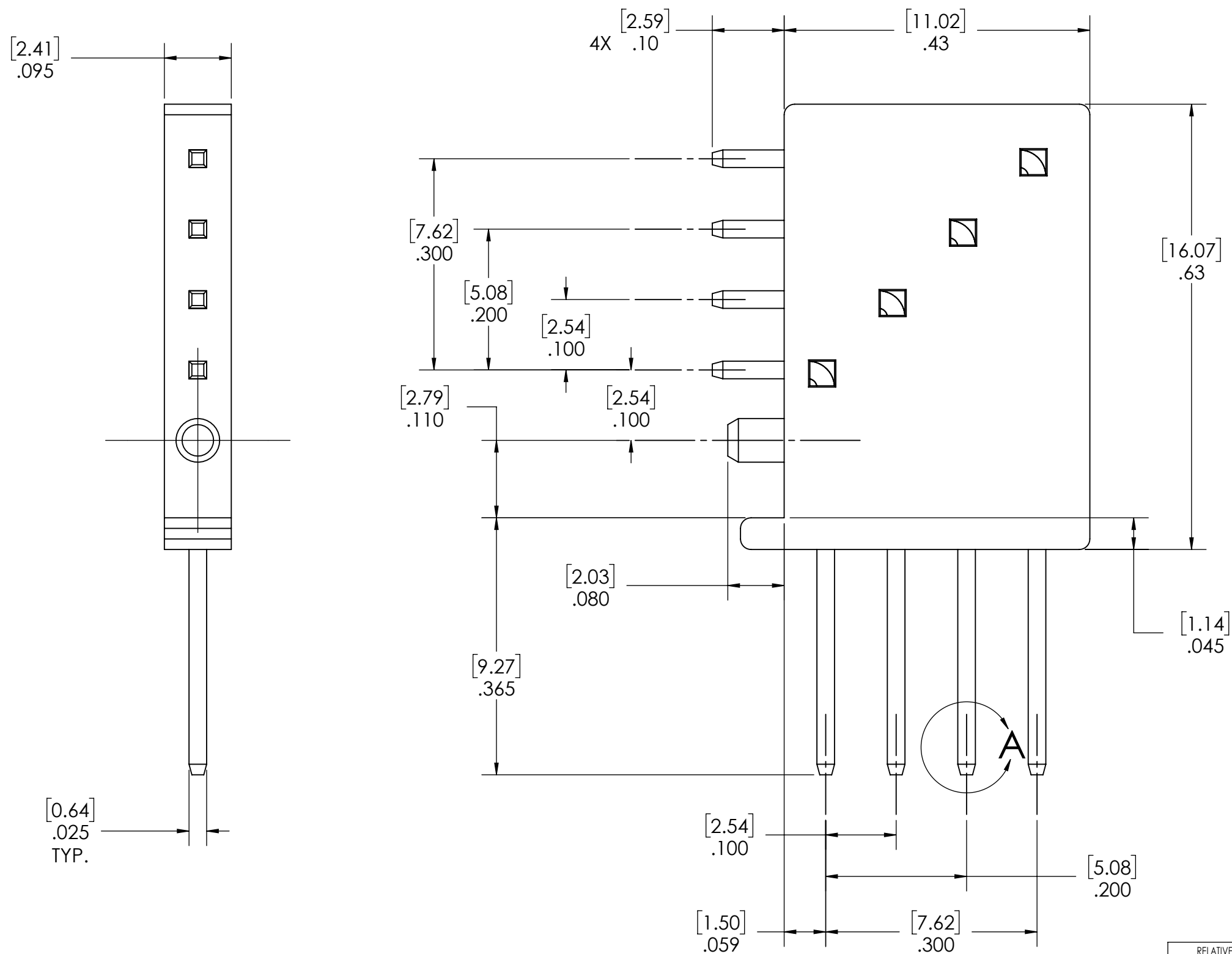


DO NOT SCALE DRAWING

THE INFORMATION CONTAINED HEREIN IS THE EXCLUSIVE PROPERTY OF VIRGINIA PANEL CORPORATION AND IS SUBMITTED FOR USE BY THE CUSTOMER ONLY. THE DATA SHALL NOT BE DUPLICATED, USED, OR DISCLOSED IN WHOLE OR IN PART FOR ANY PURPOSE OTHER THAN TO MAINTAIN THE EQUIPMENT PROVIDED. CONSULT WITH VIRGINIA PANEL CORPORATION ENGINEERING IF MORE DETAIL IS REQUIRED.

REVISIONS			
REV	DESCRIPTION	DATE	ENGR
A	DRAWING ORIGATION - ECN #10124	9/26/2016	R GARMAN



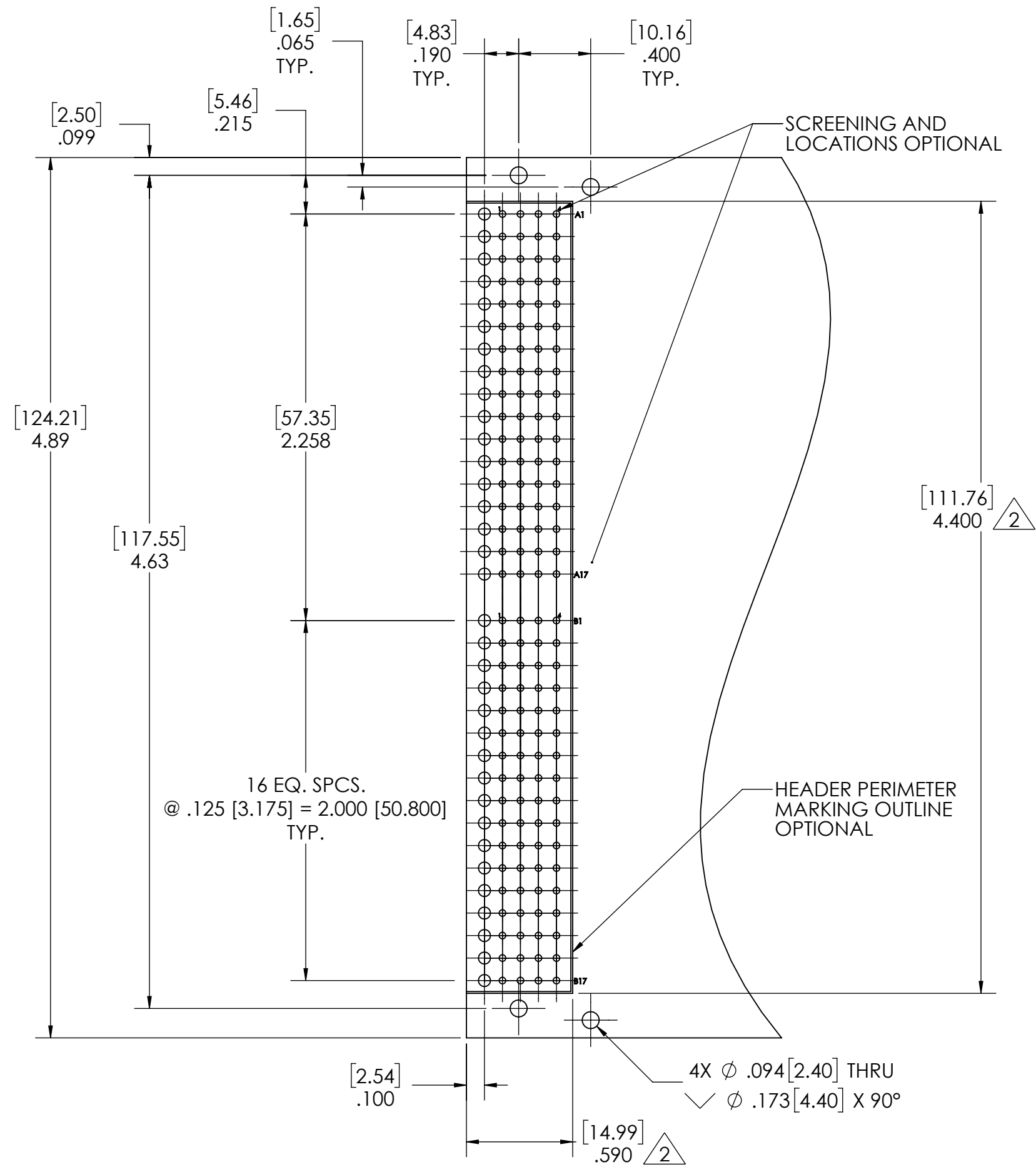
1. FOR APPLICATION USE AND CARE INFORMATION CONSULT VPC USERS GUIDE @ WWW.VPC.COM

NOTES:

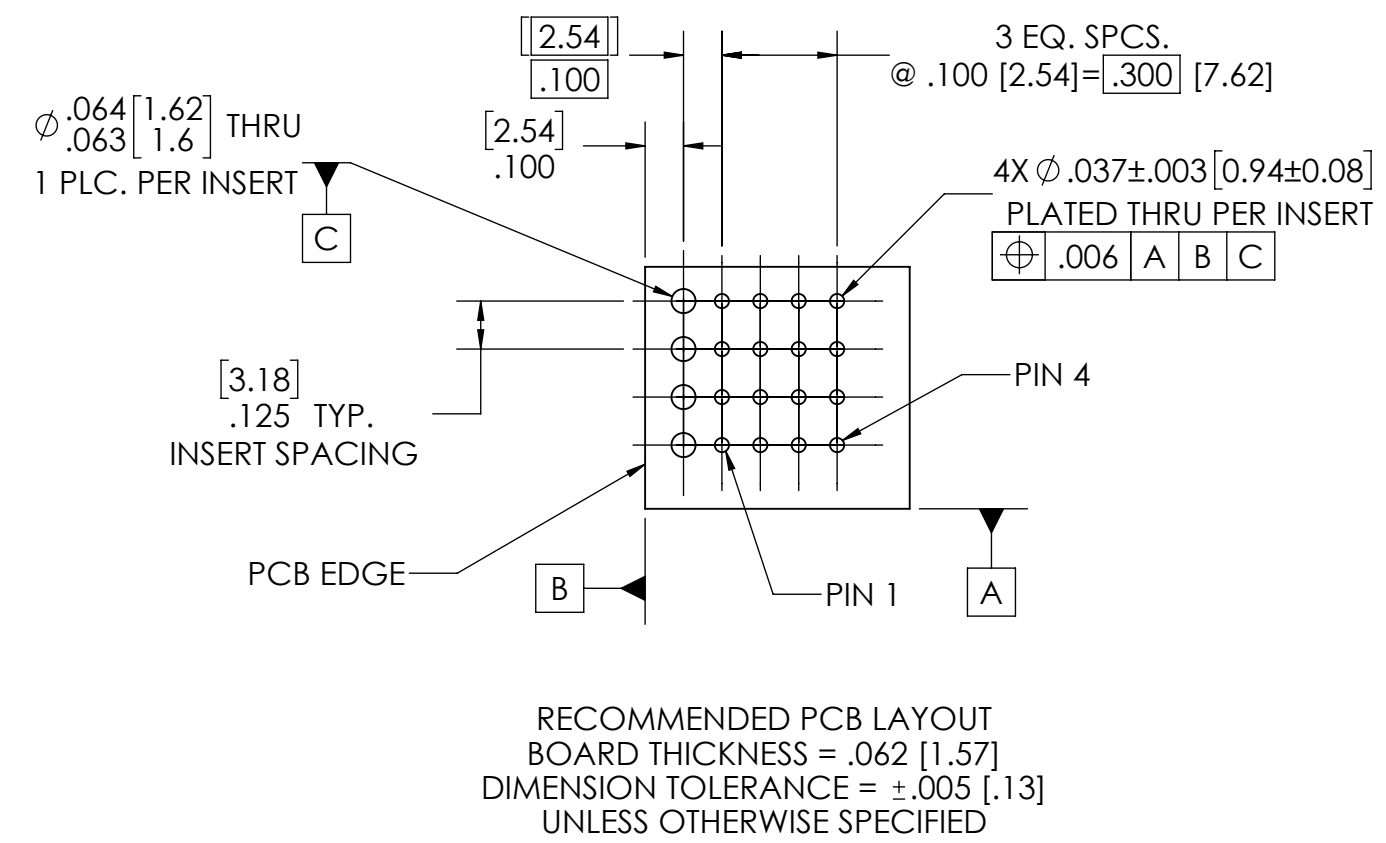
RELATIVE CONNECTOR POSITIONS AND WIRE ROUTING ARE GENERIC AND MAY VARY WITH PINOUT
 DIMENSIONS ARE SHOWN AS:
 [MILLIMETERS]
 INCHES

CUSTOMER DRAWING			
RCV/ITA RIGHT ANGLE 4 POS QuadraPaddle			
DWG.NO.		610138126	
REV	A		
SIZE	SCALE	CAGE CODE	SHEET
B	NONE	18117	1 OF 2

DO NOT SCALE DRAWING



90 SERIES PCB LAYOUT COMPONENT SIDE SHOWN



QUICK EXCHANGE DOCKING SERIES PCB LAYOUT COMPONENT SIDE SHOWN

NOTES:

- [4] RECOMMENDED PCB WIDTH FOR DOCKING FRAME COMPATABILITY
- [3] HEADER PERIMETER MARKING OPTIONAL. INTERNAL AREA REPRESENTS COMPONENT KEEP OUT ZONE

CUSTOMER DRAWING				
DIMENSIONS ARE SHOWN AS:	SIZE	CAGE CODE	DWG. NO.	REV
[MILLIMETERS]	C	18117	610138126	A
INCHES	SCALE: 4:1	610138126	DATE	SHEET 2 OF 2