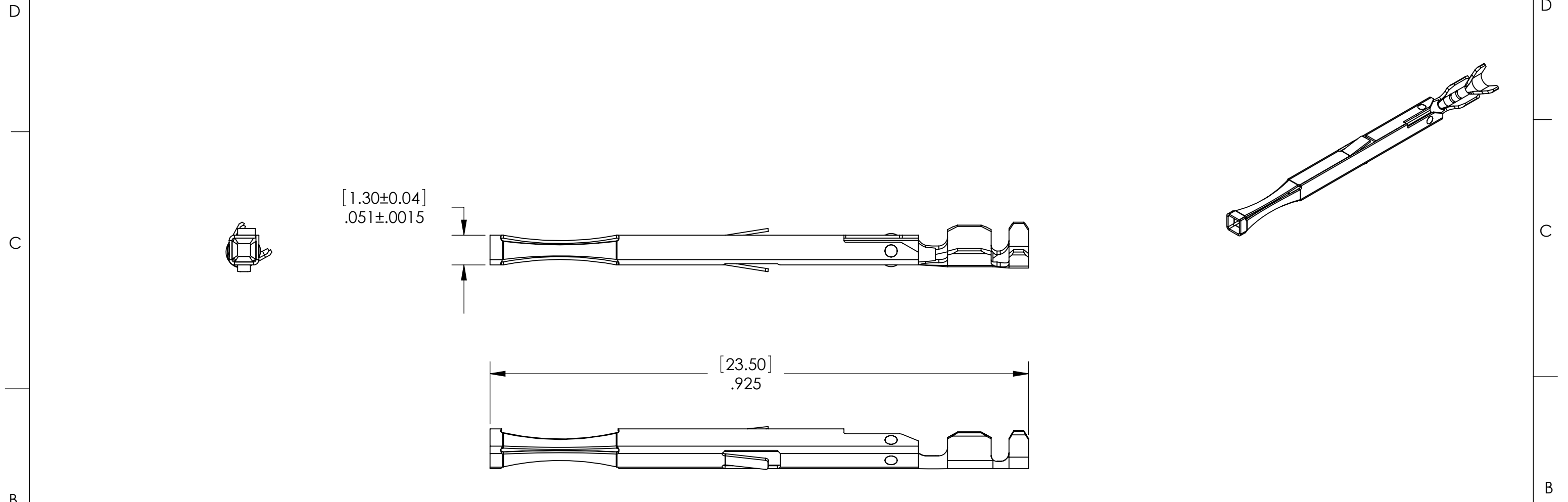


DO NOT SCALE DRAWING

THE INFORMATION CONTAINED HEREIN IS THE EXCLUSIVE PROPERTY OF VIRGINIA PANEL CORPORATION AND IS SUBMITTED FOR USE BY THE CUSTOMER ONLY. THE DATA SHALL NOT BE DUPLICATED, USED, OR DISCLOSED IN WHOLE OR IN PART FOR ANY PURPOSE OTHER THAN TO MAINTAIN THE EQUIPMENT PROVIDED. CONSULT WITH VIRGINIA PANEL CORPORATION ENGINEERING IF MORE DETAIL IS REQUIRED.

REVISIONS			
REV	DESCRIPTION	DATE	ENGR
C	ECN #4340	11/27/12	S MARSHALL



3. THE LENGTH OF THE PINS ON A MATING COMMERCIAL HEADER MUST BE GREATER THAN 0.22" [5.59] AND LESS THAN 0.45" [11.43]

2. PHYSICAL CHARACTERISTICS:

WEIGHT .0002 LBS

MATERIALS:

CONTACT-BERYLLIUM COPPER

CONTACT PLATING- 30 μ INCHES Au OVER 100 μ INCHES NICKEL

1. FOR APPLICATION USE AND CARE INFORMATION CONSULT VPC USERS GUIDE @ WWW.VPC.COM

NOTES:

CUSTOMER DRAWING

VIRGINIA PANEL CORPORATION

WWW.VPC.COM

SIGNAL CONTACT, RECEIVER, QUADRAPADDLE
22-28 AWG. CRIMP

DIMENSIONS ARE SHOWN AS:

[MILLIMETERS]
INCHES

SIZE	CAGE CODE	DWG.NO.	REV
B	18117	610138216	C
SCALE: NTS		610138216	SHEET 1 OF 1