

4

3

2

1

DO NOT SCALE DRAWING

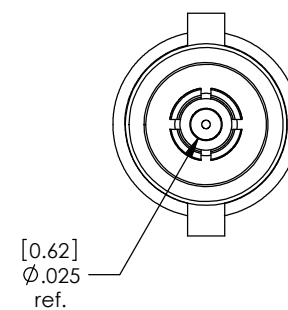
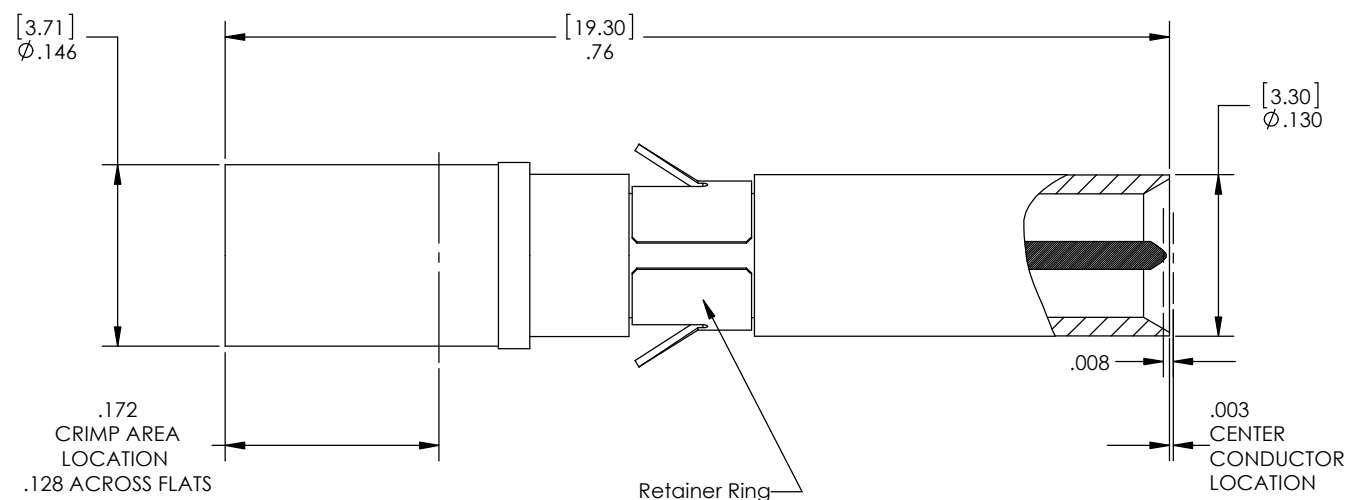
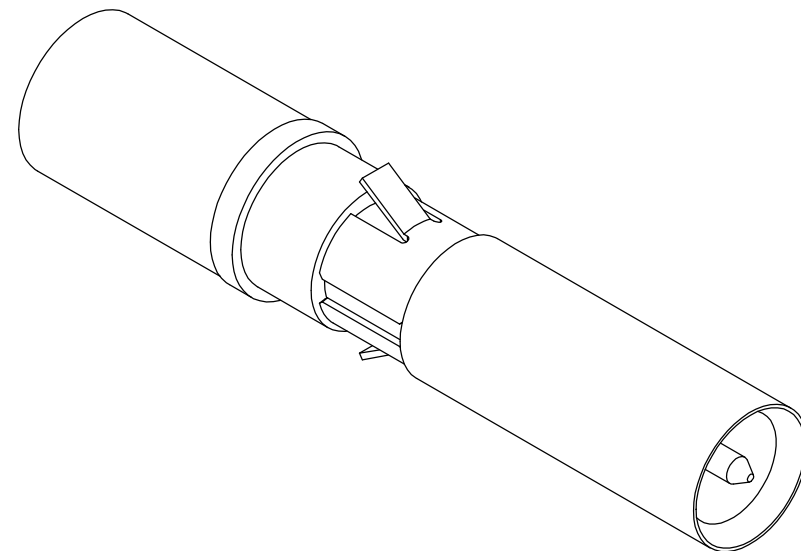
THE INFORMATION CONTAINED HEREIN IS THE EXCLUSIVE PROPERTY OF VIRGINIA PANEL CORPORATION AND IS SUBMITTED FOR USE BY THE CUSTOMER ONLY. THE DATA SHALL NOT BE DUPLICATED, USED, OR DISCLOSED IN WHOLE OR IN PART FOR ANY PURPOSE OTHER THAN TO MAINTAIN THE EQUIPMENT PROVIDED. CONSULT WITH VIRGINIA PANEL CORPORATION ENGINEERING IF MORE DETAIL IS REQUIRED.

REVISIONS

| REV | DESCRIPTION | DATE | ENGR |
|-----|-------------|---------|-------------|
| D | ECN# 5542 | 11/7/14 | L LOCKRIDGE |

D
C
B
A

D
C
B
A



2. Purchased part shall contain Center Conductor Pin, Crimp Ferrule, and Shield Body with Retainer Ring

NOTES:
1. FOR APPLICATION USE & CARE INFORMATION CONSULT VPC USERS GUIDE @WWW.VPC.COM

CUSTOMER DRAWING

VIRGINIA PANEL CORPORATION
WWW.VPC.COM

CONTACT, RCV, MICRO-COAX
3GHZ FOR RG316 CRIMP

DIMENSIONS ARE SHOWN AS:
[MILLIMETERS]
INCHES

| SIZE | CAGE CODE | DWG. NO. | REV |
|-------------|-----------|-----------|----------|
| C | 18117 | 610140101 | D |
| SCALE: NONE | | 610140101 | 10/27/06 |
| SHEET | | 1 OF 1 | |

4

3

2

1