

4

3

2

1

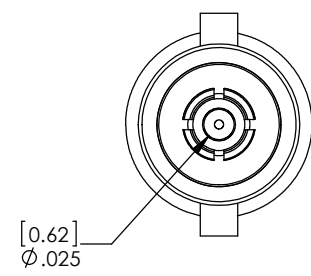
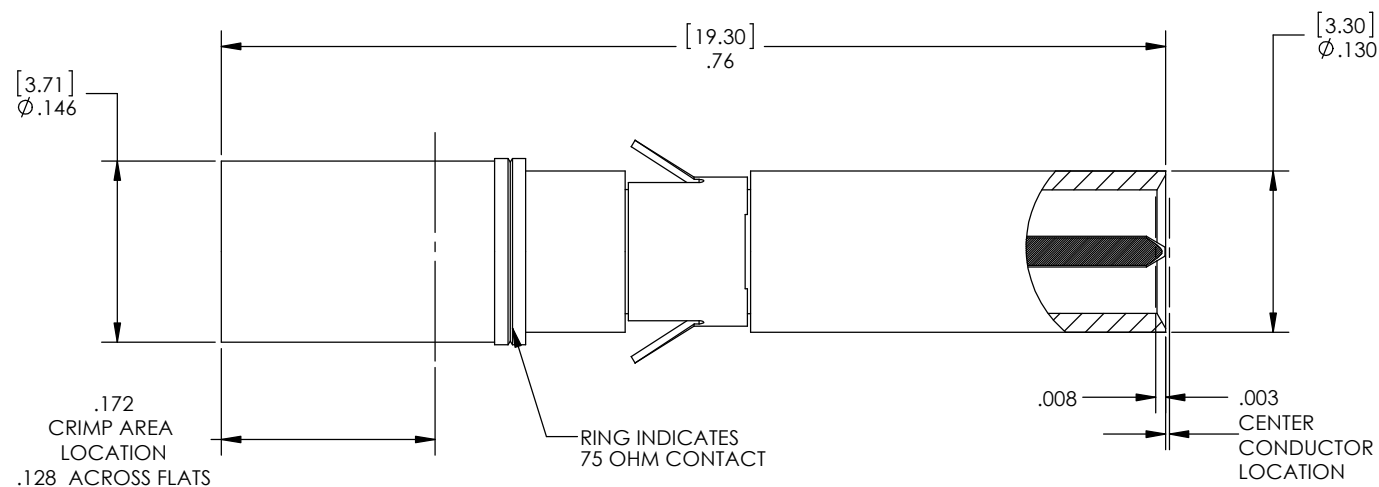
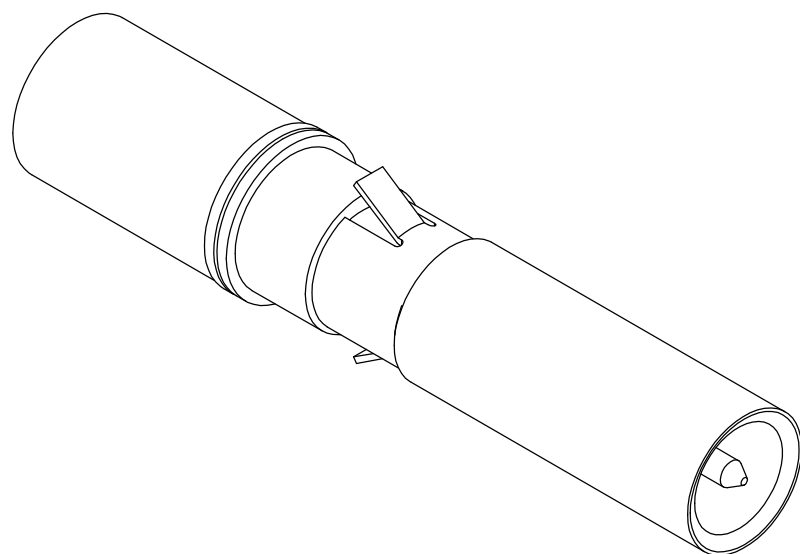
DO NOT SCALE DRAWING

THE INFORMATION CONTAINED HEREIN IS THE EXCLUSIVE PROPERTY OF VIRGINIA PANEL CORPORATION AND IS SUBMITTED FOR USE BY THE CUSTOMER ONLY. THE DATA SHALL NOT BE DUPLICATED, USED, OR DISCLOSED IN WHOLE OR IN PART FOR ANY PURPOSE OTHER THAN TO MAINTAIN THE EQUIPMENT PROVIDED. CONSULT WITH VIRGINIA PANEL CORPORATION ENGINEERING IF MORE DETAIL IS REQUIRED.

REVISIONS			
REV	DESCRIPTION	DATE	ENGR
D	ECN #5542	11/7/14	L LOCKRIDGE

D  
C  
B  
A

D  
C  
B  
A



2. Purchased part shall contain Center Conductor Pin, Crimp Ferrule, and Shield Body with Retainer Ring

NOTES:  
1. FOR APPLICATION USE & CARE INFORMATION CONSULT VPC USERS GUIDE @WWW.VPC.COM

<b>CUSTOMER DRAWING</b>			
<b>VIRGINIA PANEL CORPORATION</b> WWW.VPC.COM			
<b>CONTACT,RCV, MICRO-COAX</b> <b>75 OHM CRIMP</b>			
DIMENSIONS ARE SHOWN AS:	SIZE	CAGE CODE	DWG.NO.
[MILLIMETERS]	C	18117	<b>610140103</b>
INCHES	SCALE:NONE	610140103	10/27/06
			SHEET 1 OF 1

4

3

2

1