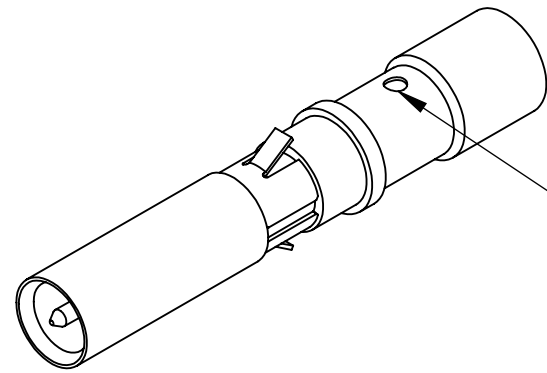


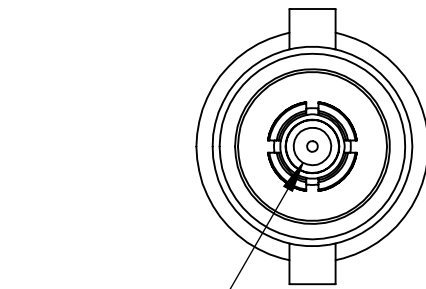
DO NOT SCALE DRAWING

THE INFORMATION CONTAINED HEREIN IS THE EXCLUSIVE PROPERTY OF VIRGINIA PANEL CORPORATION AND IS SUBMITTED FOR USE BY THE CUSTOMER ONLY. THE DATA SHALL NOT BE DUPLICATED, USED, OR DISCLOSED IN WHOLE OR IN PART FOR ANY PURPOSE OTHER THAN TO MAINTAIN THE EQUIPMENT PROVIDED. CONSULT WITH VIRGINIA PANEL CORPORATION ENGINEERING IF MORE DETAIL IS REQUIRED.

REVISIONS			
REV	DESCRIPTION	DATE	ENGR
D	ECN #10648	9/15/20	I COFFEY

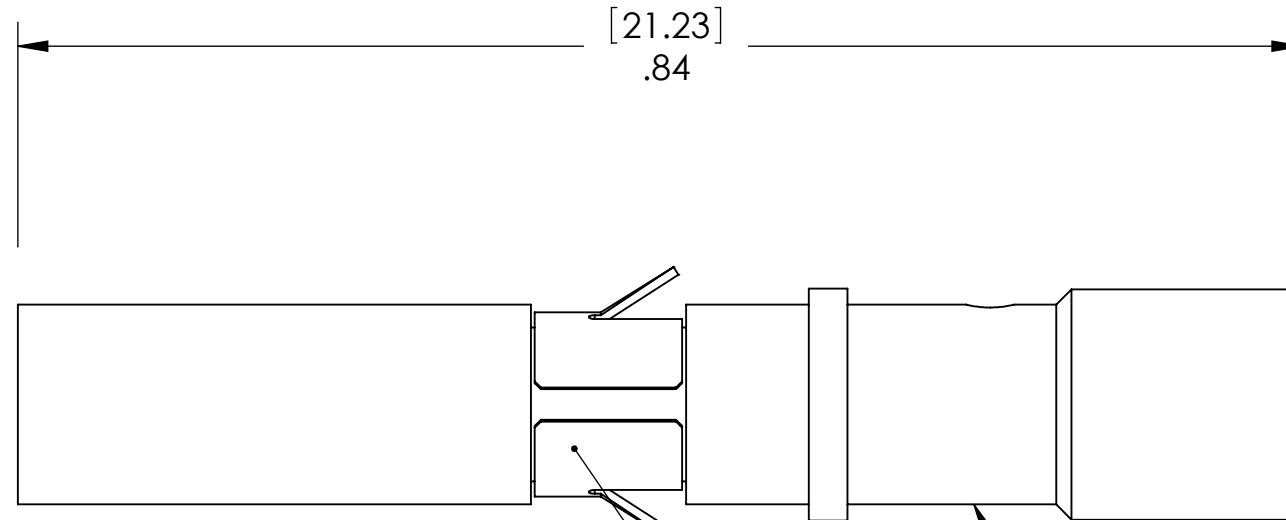


SOLDER HOLE
ONE SIDE ONLY



[0.62]
Ø.025
CENTER
PIN

[3.30]
Ø.13



[21.23]
.84

[3.8]
Ø.15

RETAINER
RING

SHIELD
BODY

NOTES:

1. FOR APPLICATION USE AND CARE INFORMATION CONSULT VPC USERS GUIDE @ WWW.VPC.COM

2. Purchased part shall contain Center Conductor Pin, and Shield Body with Retainer Ring

CUSTOMER DRAWING			
VIRGINIA PANEL CORPORATION WWW.VPC.COM			
CONTACT, RCV, MICRO COAX FOR RG316 DBL. SHLD.			
DIMENSIONS ARE SHOWN AS: [MILLIMETERS] INCHES	SIZE B	CAGE CODE 18117	DWG.NO. 610140104
	SCALE: 8:1	610140104	4/15/09
		SHEET	1 OF 1