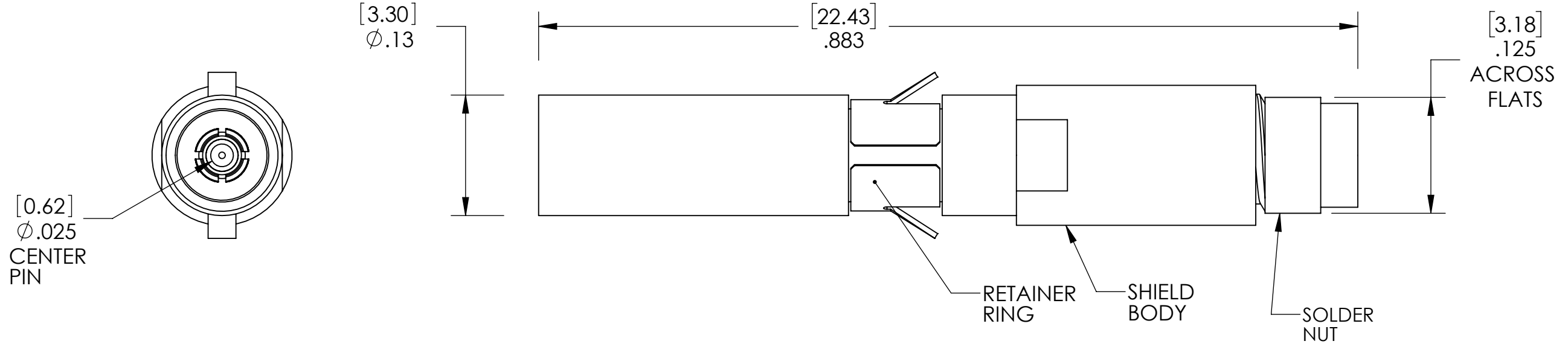
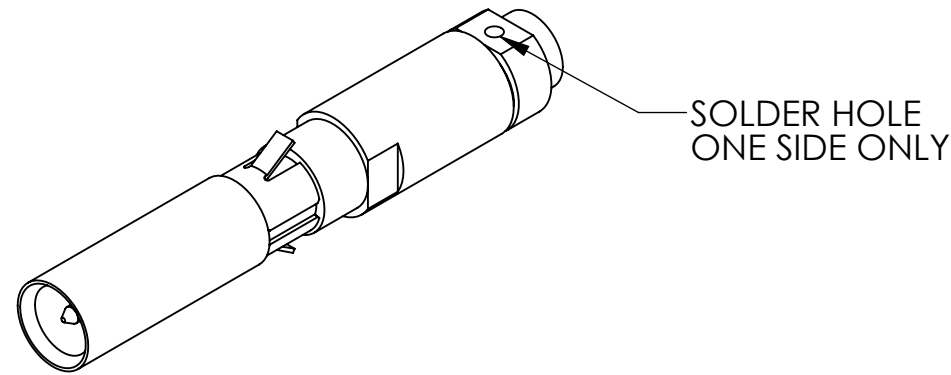


DO NOT SCALE DRAWING

THE INFORMATION CONTAINED HEREIN IS THE EXCLUSIVE PROPERTY OF VIRGINIA PANEL CORPORATION AND IS SUBMITTED FOR USE BY THE CUSTOMER ONLY. THE DATA SHALL NOT BE DUPLICATED, USED, OR DISCLOSED IN WHOLE OR IN PART FOR ANY PURPOSE OTHER THAN TO MAINTAIN THE EQUIPMENT PROVIDED. CONSULT WITH VIRGINIA PANEL CORPORATION ENGINEERING IF MORE DETAIL IS REQUIRED.

REVISIONS			
REV	DESCRIPTION	DATE	ENGR
A	ECN #10375	3/27/19	D ASHBY



4. MATERIAL  
 BODY-BRASS  
 DIELECTRIC-PTFE  
 CENTER CONDUCTOR- BERYLLIUM COPPER

3. IMPEDANCE: 50 OHMS

2. ACCOMMODATES USE OF FLEX 405 OR EQUIVALENT CABLE

1. FOR APPLICATION USE AND CARE INFORMATION CONSULT VPC USERS GUIDE @ WWW.VPC.COM

NOTES:

**CUSTOMER DRAWING**

**VIRGINIA PANEL CORPORATION**

WWW.VPC.COM

CONTACT, RCV, MICRO COAX 50GHZ  
 FOR Flex 405

DIMENSIONS ARE SHOWN AS:	SIZE	CAGE CODE	DWG.NO.	REV
[MILLIMETERS]	B	18117	<b>610140108</b>	A
INCHES	SCALE: 8:1	610140108	3/27/19	SHEET 1 OF 1