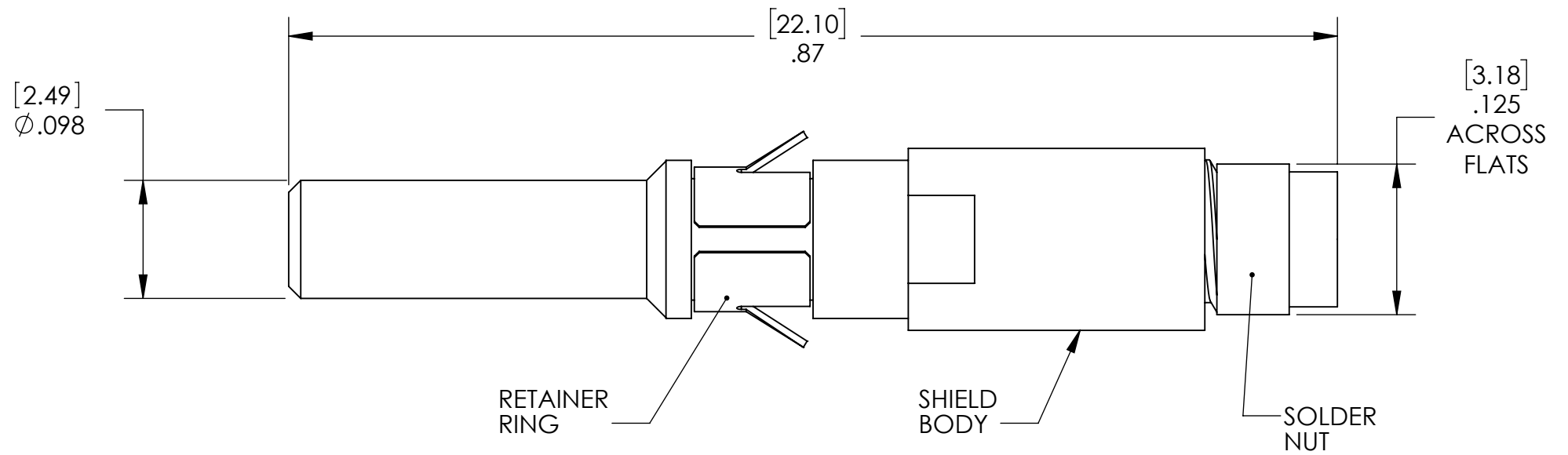
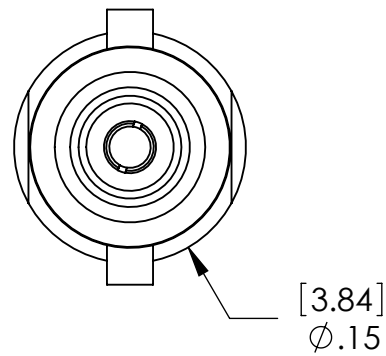
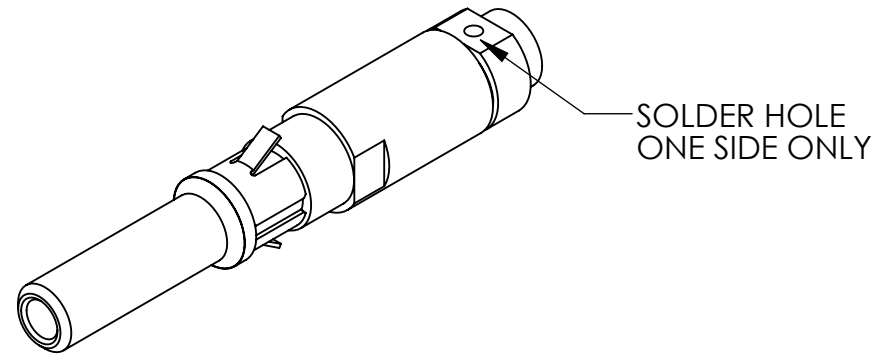


DO NOT SCALE DRAWING

THE INFORMATION CONTAINED HEREIN IS THE EXCLUSIVE PROPERTY OF VIRGINIA PANEL CORPORATION AND IS SUBMITTED FOR USE BY THE CUSTOMER ONLY. THE DATA SHALL NOT BE DUPLICATED, USED, OR DISCLOSED IN WHOLE OR IN PART FOR ANY PURPOSE OTHER THAN TO MAINTAIN THE EQUIPMENT PROVIDED. CONSULT WITH VIRGINIA PANEL CORPORATION ENGINEERING IF MORE DETAIL IS REQUIRED.

REVISIONS			
REV	DESCRIPTION	DATE	ENGR
A	ECN # 10375	3/27/2019	D ASHBY



4. MATERIAL
 BODY-BRASS
 DIELECTRIC-PTFE
 CENTER CONDUCTOR- BERYLLIUM COPPER

3. IMPEDANCE: 50 OHMS

2. ACCOMMODATES USE OF FLEX 405 OR EQUIVALENT CABLE

1. FOR APPLICATION USE AND CARE INFORMATION CONSULT VPC USERS GUIDE @ WWW.VPC.COM

NOTES:

CUSTOMER DRAWING

VIRGINIA PANEL CORPORATION

WWW.VPC.COM

CONTACT, ITA, MICRO-COAX 50 GHz
 FOR Flex 405

DIMENSIONS ARE SHOWN AS:	SIZE	CAGE CODE	DWG.NO.	REV
[MILLIMETERS] INCHES	B	18117	610141108	A
	SCALE: 8:1	610141108	3/27/2019	SHEET 1 OF 1