

4

3

2

1

DO NOT SCALE DRAWING

THE INFORMATION CONTAINED HEREIN IS THE EXCLUSIVE PROPERTY OF VIRGINIA PANEL CORPORATION AND IS SUBMITTED FOR USE BY THE CUSTOMER ONLY. THE DATA SHALL NOT BE DUPLICATED, USED, OR DISCLOSED IN WHOLE OR IN PART FOR ANY PURPOSE OTHER THAN TO MAINTAIN THE EQUIPMENT PROVIDED. CONSULT WITH VIRGINIA PANEL CORPORATION ENGINEERING IF MORE DETAIL IS REQUIRED.

REVISIONS			
REV	DESCRIPTION	DATE	ENGR
J	ECN #5542	11/7/14	L LOCKRIDGE

D

D

C

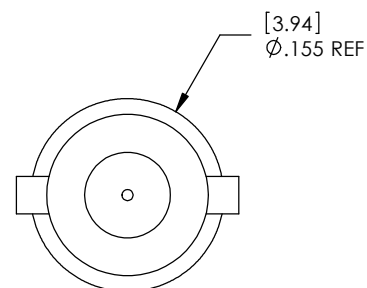
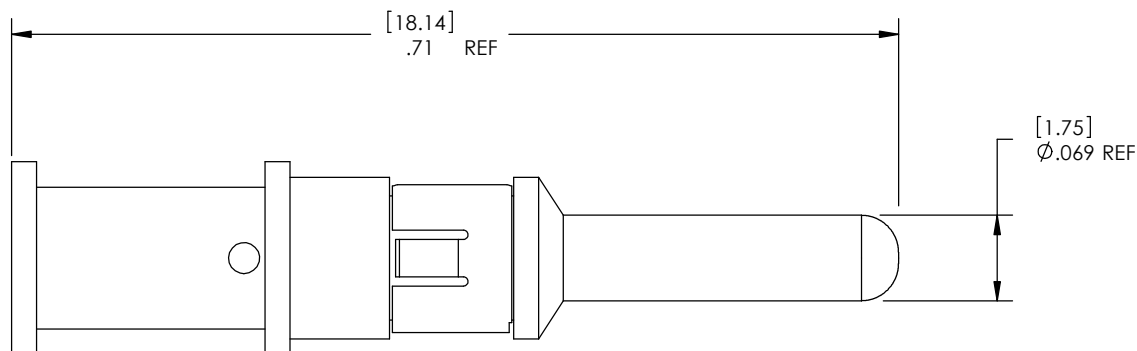
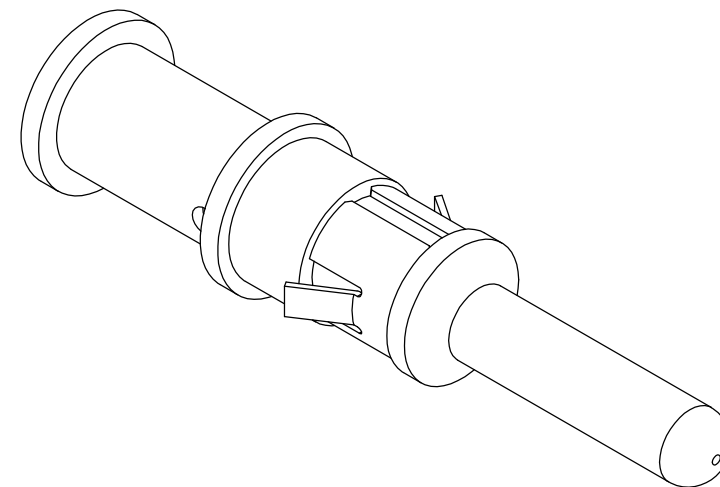
C

B

B

A

A



1. FOR APPLICATION USE & CARE INFORMATION CONSULT VPC USERS GUIDE @WWW.VPC.COM  
NOTES:

DIMENSIONS ARE SHOWN AS:  
[MILLIMETERS]  
INCHES

<b>CUSTOMER DRAWING</b>			
<b>VIRGINIA PANEL CORPORATION</b> WWW.VPC.COM			
CONTACT, ITA, MICRO-POWER FOR 12 AWG, CRIMP			
SIZE	CAGE CODE	DWG. NO.	REV
C	18117	610143101	J
SCALE: 8:1	610143101	10/31/06	SHEET 1 OF 1

4

3

2

1