

4

3

2

1

DO NOT SCALE DRAWING

THE INFORMATION CONTAINED HEREIN IS THE EXCLUSIVE PROPERTY OF VIRGINIA PANEL CORPORATION AND IS SUBMITTED FOR USE BY THE CUSTOMER ONLY. THE DATA SHALL NOT BE DUPLICATED, USED, OR DISCLOSED IN WHOLE OR IN PART FOR ANY PURPOSE OTHER THAN TO MAINTAIN THE EQUIPMENT PROVIDED. CONSULT WITH VIRGINIA PANEL CORPORATION ENGINEERING IF MORE DETAIL IS REQUIRED.

REVISIONS			
REV	DESCRIPTION	DATE	ENGR
B	ECN #5383	7/25/14	S MARSHALL

D

D

C

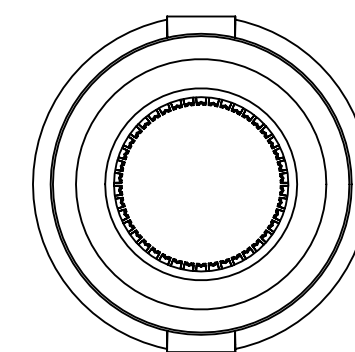
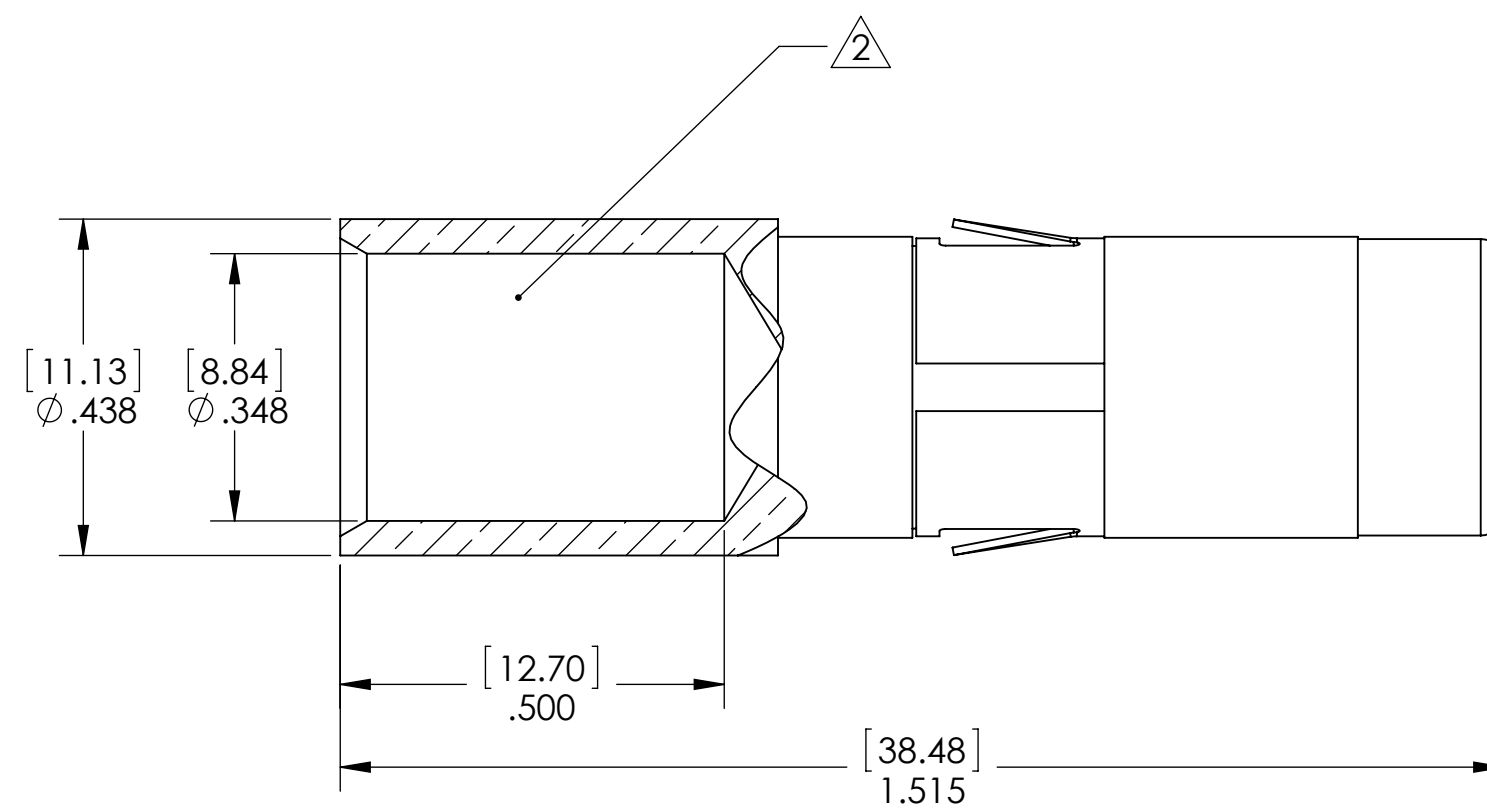
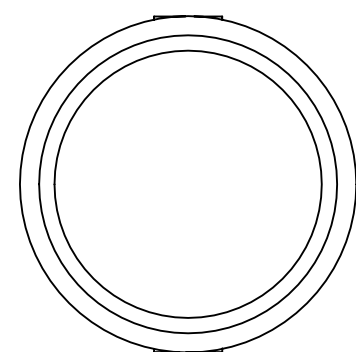
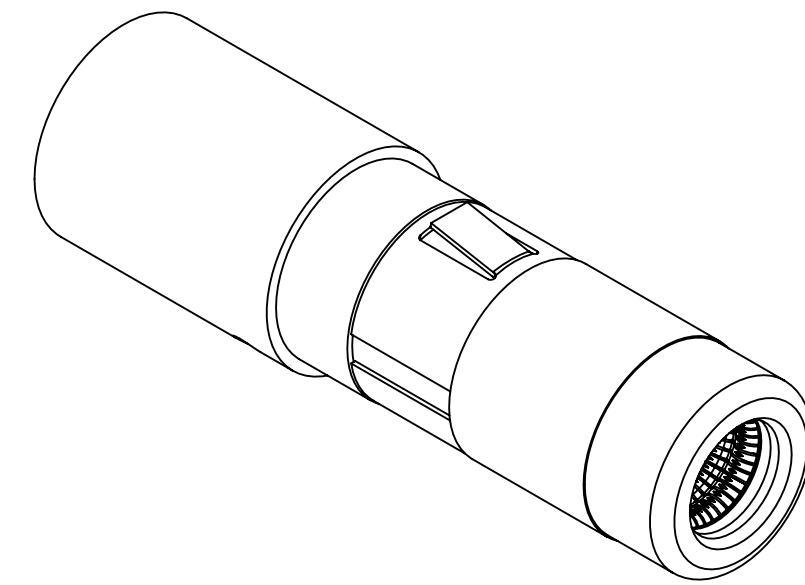
C

B

B

A

A



3. MATERIALS:
- CONTACT BODY - GOLD PLATED COPPER ALLOY
  - CONTACT POINTS - SILVER PLATED COPPER ALLOY
  - PROTECTIVE TIP - THERMOPLASTIC
  - RETAINING RING - NICKEL PLATED COPPER ALLOY

2 CRIMP AREA DESIGNED SPECIFICALLY FOR 2 AWG COONER FLEXIBLE POWER CABLE, P/N AS105-14

1. FOR APPLICATION USE & CARE INFORMATION CONSULT VPC USERS GUIDE @WWW.VPC.COM

NOTES:

**CUSTOMER DRAWING**

**VIRGINIA PANEL CORPORATION**  
WWW.VPC.COM

**RCV CONTACT**  
**150 AMP POWER, 2 AWG**

DIMENSIONS ARE SHOWN AS:	SIZE	CAGE CODE	DWG. NO.	REV
[MILLIMETERS]	C	18117	610149101	B
INCHES	SCALE: 4:1	610149101	7/8/13	SHEET 1 OF 1

4

3

2

1