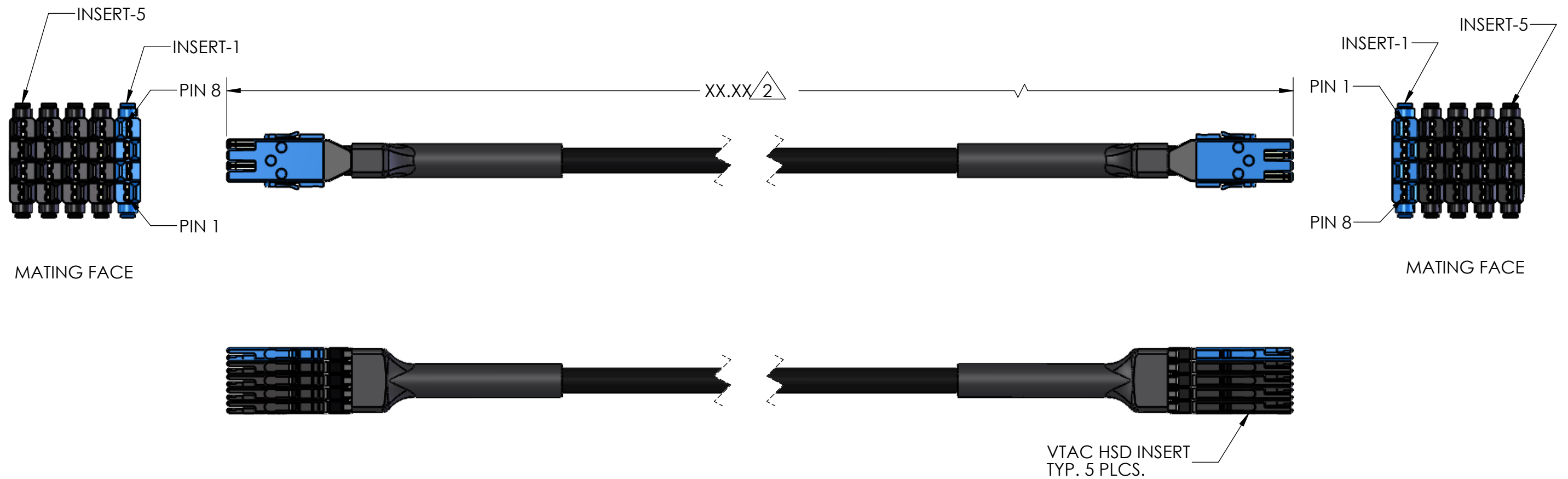


DO NOT SCALE DRAWING

THE INFORMATION CONTAINED HEREIN IS THE EXCLUSIVE PROPERTY OF VIRGINIA PANEL CORPORATION AND IS SUBMITTED FOR USE BY THE CUSTOMER ONLY. THE DATA SHALL NOT BE DUPLICATED, USED, OR DISCLOSED IN WHOLE OR IN PART FOR ANY PURPOSE OTHER THAN TO MAINTAIN THE EQUIPMENT PROVIDED. CONSULT WITH VIRGINIA PANEL CORPORATION ENGINEERING IF MORE DETAIL IS REQUIRED.

REV	DESCRIPTION	DATE	ENGINEER
E	ECN #10470	7/16/2020	J BRYAN



Insert- 1 Pin	Wire Color	DVI-D Pin	Insert- 2 Pin	Wire Color	DVI-D Pin	Insert- 3 Pin	Wire Color	DVI-D Pin	Insert- 4 Pin	Wire Color	DVI-D Pin	Insert- 5 Pin	Wire Color	DVI-D Pin
1	Pair 1 Drain	3	1	Pair 3 Drain	11	1	Pair 5 Drain	19	1	Pair 7 Drain	22	1	BRAID	S
2	BLACK	1	2	RED	9	2	BLUE	17	2	RED	6	2	ORANGE	14
3	GRAY	2	3	WHITE	10	3	PURPLE	18	3	PURPLE	7	3	WHITE	16
4	Pair 1 Drain	3	4	Pair 3 Drain	11	4	Pair 5 Drain	19	4	Pair 7 Drain	22	4	BRAID	S
5	Pair 2 Drain	3	5	Pair 4 Drain	11	5	Pair 6 Drain	19	5	Pair 7 Drain	22	5	BRAID	S
6	BROWN	4	6	ORANGE	12	6	GREEN	20	6	BLUE	23	6	YELLOW	15
7	WHITE	5	7	PINK	13	7	WHITE	21	7	WHITE	24	7	-	NC
8	Pair 2 Drain	3	8	Pair 4 Drain	11	8	Pair 6 Drain	19	8	Pair 7 Drain	22	8	BRAID	S

2	PART NUMBER	LENGTH (XX.XX)
	7-141877141-012	12" [304.8]
	7-141877141-024	24" [609.6]
	7-141877141-036	36" [914.4]
	7-141877141-048	48" [1219.2]
	7-141877141-060	60" [1524.0]
	7-141877141-072	72" [1828.8]
	7-141877141-096	96" [2438.4]

- 6 DVI-D PINOUT INCLUDED FOR REFERENCE. WIRE COLOR MAY VARY BY CABLE MANUFACTURER.
5. PATCHCORD PINNED 1 TO 1, 2 TO 2, ETC.
4. TOP INSERT (INSERT-1) IS DESIGNATED IN BLUE.
3. CABLE JACKET COLOR: BLACK
- 2 SEE TABLE FOR PATCHCORD LENGTH BY PART NUMBER.
1. FOR APPLICATION USE AND CARE INFORMATION CONSULT VPC USERS GUIDE @ WWW.VPC.COM

NOTES:

RELATIVE CONNECTOR POSITIONS AND WIRE ROUTING ARE GENERIC AND MAY VARY WITH PINOUT
 DIMENSIONS ARE SHOWN AS:
 [MILLIMETERS]
 INCHES

CUSTOMER DRAWING

VTAC ITA INSERT, DVI-D CABLE, TO VTAC ITA INSERT

DWG.NO.	7-141877141	REV	E
SIZE	SCALE	CAGE CODE	SHEET
B	NONE	18117	1 OF 1