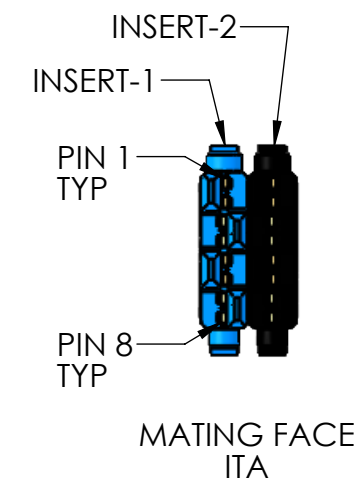
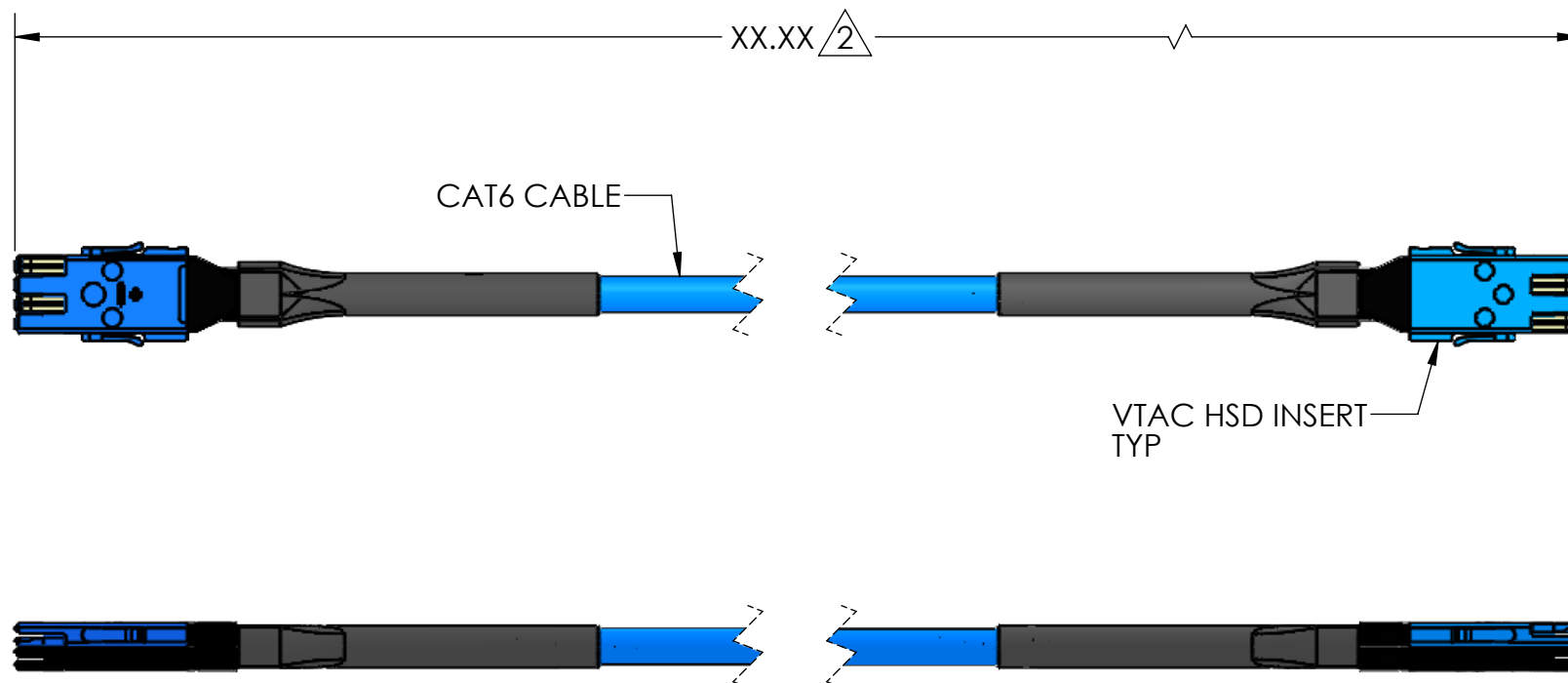
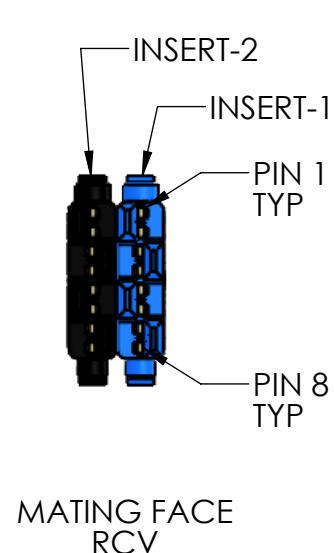


DO NOT SCALE DRAWING

THE INFORMATION CONTAINED HEREIN IS THE EXCLUSIVE PROPERTY OF VIRGINIA PANEL CORPORATION AND IS SUBMITTED FOR USE BY THE CUSTOMER ONLY. THE DATA SHALL NOT BE DUPLICATED, USED, OR DISCLOSED IN WHOLE OR IN PART FOR ANY PURPOSE OTHER THAN TO MAINTAIN THE EQUIPMENT PROVIDED. CONSULT WITH VIRGINIA PANEL CORPORATION ENGINEERING IF MORE DETAIL IS REQUIRED.

REV	DESCRIPTION	DATE	ENGINEER
B	ECN #7610	7/31/2017	C CHURCH



INSERT-1 PIN	WIRE COLOR	INSERT-2 PIN	WIRE COLOR
1	OUTER SHIELD	1	OUTER SHIELD
2	WHT/ORG	2	BLU
3	ORG	3	WHT/BLU
4	OUTER SHIELD	4	OUTER SHIELD
5	OUTER SHIELD	5	OUTER SHIELD
6	WHT/GRN	6	WHT/BRN
7	GRN	7	BRN
8	OUTER SHIELD	8	OUTER SHIELD

△2

PART #	LENGTH (XX.XX)
7-141893142-012	12" [304.8]
7-141893142-024	24" [609.6]
7-141893142-036	36" [914.4]
7-141893142-048	48" [1219.2]
7-141893142-060	60" [1524]
7-141893142-072	72" [1828.8]
7-141893142-096	96" [2438.4]

5. PATCHCORD CONFORMS TO THE TIA/EIA-568 REV C SPECIFICATION.

4. TOP INSERT (INSERT - 1) IS DESIGNATED IN BLUE

3. CABLE JACKET COLOR: BLUE

△2 SEE TABLE FOR PATCHCORD LENGTH BY PART NUMBER.

1. FOR APPLICATION USE AND CARE INFORMATION CONSULT VPC USERS GUIDE @ WWW.VPC.COM

NOTES:

RELATIVE CONNECTOR POSITIONS AND WIRE ROUTING ARE GENERIC AND MAY VARY WITH PINOUT
DIMENSIONS ARE SHOWN AS:
[MILLIMETERS]
INCHES

CUSTOMER DRAWING



VTAC ITA INSERT TO VTAC RCV INSERT CAT6

DWG.NO.	7-141893142	REV	B
SIZE	SCALE	CAGE CODE	SHEET
B	NONE	18117	1 OF 1