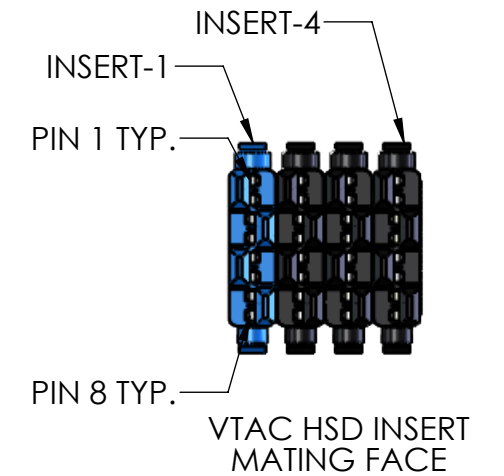
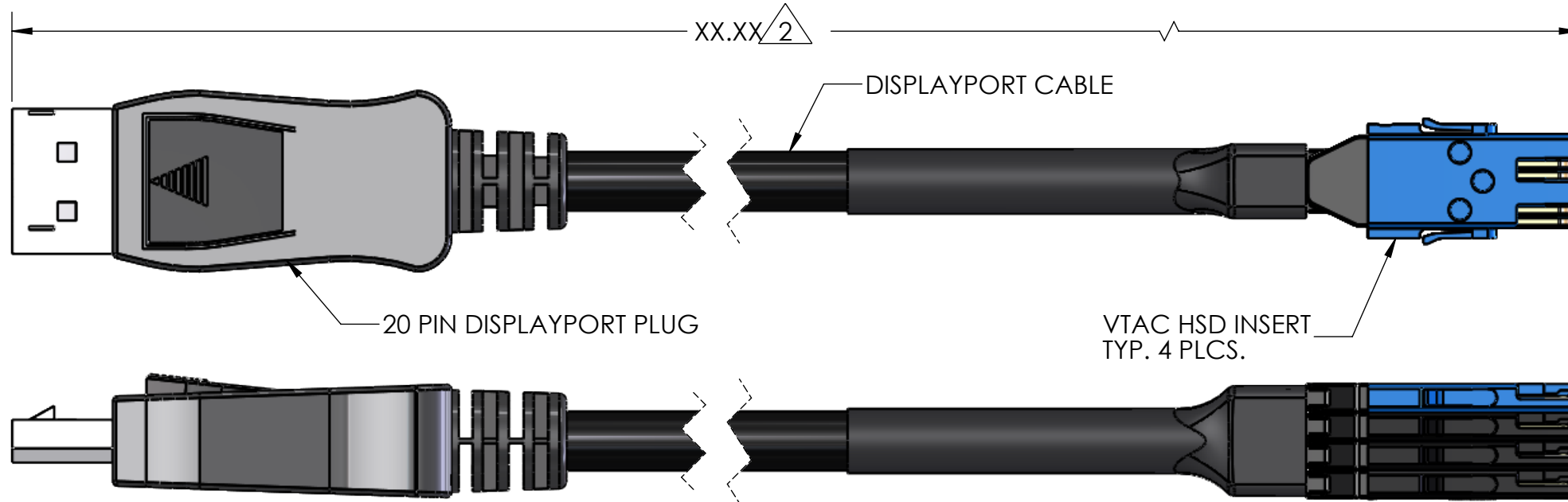
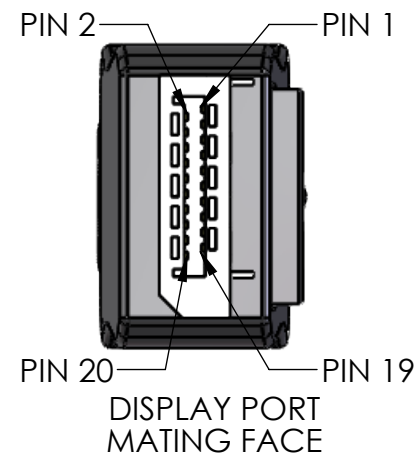


DO NOT SCALE DRAWING

THE INFORMATION CONTAINED HEREIN IS THE EXCLUSIVE PROPERTY OF VIRGINIA PANEL CORPORATION AND IS SUBMITTED FOR USE BY THE CUSTOMER ONLY. THE DATA SHALL NOT BE DUPLICATED, USED, OR DISCLOSED IN WHOLE OR IN PART FOR ANY PURPOSE OTHER THAN TO MAINTAIN THE EQUIPMENT PROVIDED. CONSULT WITH VIRGINIA PANEL CORPORATION ENGINEERING IF MORE DETAIL IS REQUIRED.

REV	DESCRIPTION	DATE	ENGINEER
D	ECN #10329	5/26/2020	J BRYAN



INSERT-1 PIN	DISPLAYPORT	SIGNAL DESCRIPTION TO SINK	INSERT-2 PIN	DISPLAYPORT	SIGNAL DESCRIPTION TO SINK	INSERT-3 PIN	DISPLAYPORT	SIGNAL DESCRIPTION TO SINK	INSERT-4 PIN	DISPLAYPORT	SIGNAL DESCRIPTION TO SINK
1, 4, 5, 8	16	GND	1, 4, 5, 8	11	GND	1, 4, 5, 8	2	GND	1	-	NO CONNECTION
2	14	CONFIG 2	2	12	ML_LANE_0_P	2	1	ML_LANE_3_N	2	19	RETURN
3	13	CONFIG 1	3	10	ML_LANE_0_N	3	3	ML_LANE_3_P	3	18	HPD
1, 4, 5, 8	16	GND	1, 4, 5, 8	11	GND	1, 4, 5, 8	2	GND	4, 5, 6, 7, 8	SHLD	GND
1, 4, 5, 8	16	GND	1, 4, 5, 8	8	GND	1, 4, 5, 8	5	GND		SHLD	GND
6	15	AUX CH_P	6	7	ML_LANE_1_N	6	6	ML_LANE_2_P		SHLD	GND
7	17	AUX CH_N	7	9	ML_LANE_1_P	7	4	ML_LANE_2_N		SHLD	GND
1, 4, 5, 8	16	GND	1, 4, 5, 8	8	GND	1, 4, 5, 8	5	GND		SHLD	GND

- 9. PATCHCORD OUTER DIAMETER: .26IN [6.5MM]
- 8. PATCHCORD TEMPERATURE RATING: 5°C TO 60°C
- 7. POWER, PIN 20, IS NOT ROUTED THROUGH CABLE.

△ SIGNAL DESCRIPTIONS ARE BASED ON THE DISPLAYPORT CABLE CONNECTED TO A SINK DEVICE. THE DESCRIPTIONS REPRESENT THE SIGNALS ORIGINATING FROM THE SOURCE WHEN USED IN THIS CONFIGURATION. SIGNAL DESCRIPTIONS MAY CHANGE WHEN USED IN OTHER CONFIGURATIONS.

- 5. PATCHCORD CONFORMS TO THE DISPLAY PORT REV 1.1 SPECIFICATION.
- 4. TOP INSERT (INSERT-1) IS DESIGNATED IN BLUE.
- 3. CABLE JACKET COLOR: BLACK

△ SEE TABLE FOR PATCHCORD LENGTH BY PART NUMBER.

- 1. FOR APPLICATION USE AND CARE INFORMATION CONSULT VPC USERS GUIDE @ WWW.VPC.COM

NOTES:

PART NUMBER	LENGTH (XX.XX)
7-141897726-012	12" [304.8]
7-141897726-024	24" [609.6]
7-141897726-036	36" [914.4]
7-141897726-048	48" [1219.2]
7-141897726-060	60" [1524]
7-141897726-072	72" [1828.8]
7-141897726-096	96" [2438.4]

CUSTOMER DRAWING



PCHS ITA VTAC DISPLAYPORT

RELATIVE CONNECTOR POSITIONS AND WIRE ROUTING ARE GENERIC AND MAY VARY WITH PINOUT
DIMENSIONS ARE SHOWN AS:
[MILLIMETERS]
INCHES

DWG.NO.	7-141897726	REV	D
SIZE	SCALE	CAGE CODE	SHEET
B	NONE	18117	1 OF 1