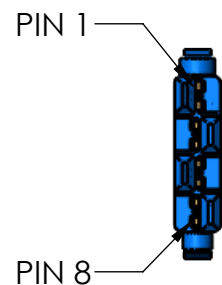
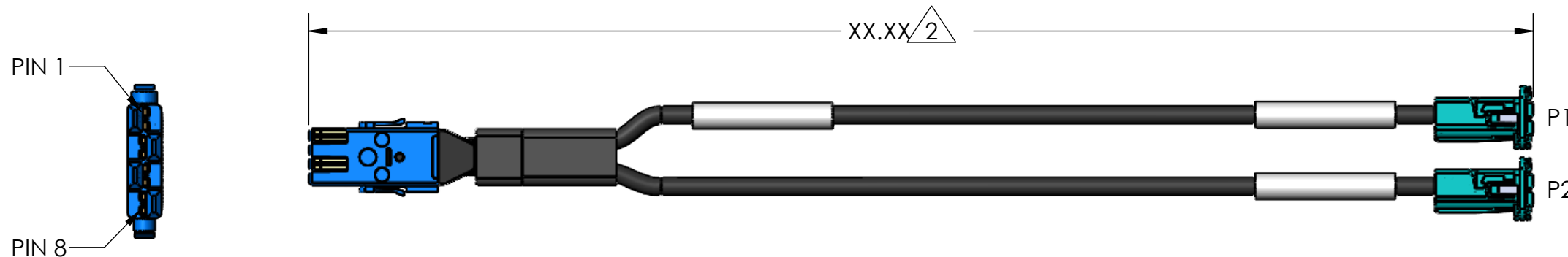


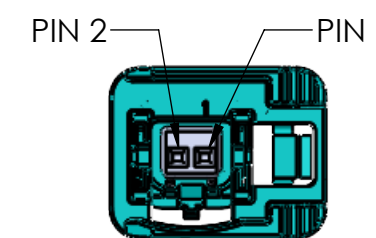
DO NOT SCALE DRAWING

THE INFORMATION CONTAINED HEREIN IS THE EXCLUSIVE PROPERTY OF VIRGINIA PANEL CORPORATION AND IS SUBMITTED FOR USE BY THE CUSTOMER ONLY. THE DATA SHALL NOT BE DUPLICATED, USED, OR DISCLOSED IN WHOLE OR IN PART FOR ANY PURPOSE OTHER THAN TO MAINTAIN THE EQUIPMENT PROVIDED. CONSULT WITH VIRGINIA PANEL CORPORATION ENGINEERING IF MORE DETAIL IS REQUIRED.

REV	DESCRIPTION	DATE	ENGINEER
B	ECN #11476	5/12/21	I COFFEY



VTAC HSD INSERT
MATING FACE



MATENET 1 POS PORT
CODING Z
MATING FACE
TYP.

From Location (Conn - Pin)	LABEL	WIRE COLOR	To Location (Conn - Pin)
1-1	MATENET P1	NC	-
1-2		WHITE	P1-1
1-3		GREEN	P1-2
1-4		NC	-
1-5	MATENET P2	NC	-
1-6		WHITE	P2-1
1-7		GREEN	P2-2
1-8		NC	-

PART NUMBER	LENGTH (XX.XX)
7-142716763-012	12" [304.8]
7-142716763-024	24" [609.6]
7-142716763-036	36" [914.4]
7-142716763-048	48" [1219.2]
7-142716763-060	60" [1524]
7-142716763-072	72" [1828.8]
7-142716763-096	96" [2438.4]

3. WIRE CONSTRUCTION: 2X UNSHIELDED TWISTED PAIRS
 CONDUCTOR SIZE: 0.13MM²
 INSULATION: PP
 OUTER JACKET: TPE-S
 IMPEDANCE: 100 ± 10Ω

2 SEE TABLE FOR PATCHCORD LENGTH BY PART NUMBER.

1. FOR APPLICATION USE AND CARE INFORMATION CONSULT VPC USERS GUIDE @ WWW.VPC.COM

NOTES:

RELATIVE CONNECTOR POSITIONS
AND WIRE ROUTING ARE GENERIC
AND MAY VARY WITH PINOUT
DIMENSIONS ARE SHOWN AS:
[MILLIMETERS]
INCHES

CUSTOMER DRAWING

PATCHCORD, RCV, VTAC
TO 2X MATENET PORT UTP

DWG.NO.	7-142716763	REV	B
SIZE	SCALE	CAGE CODE	SHEET
B	NONE	18117	1 OF 1