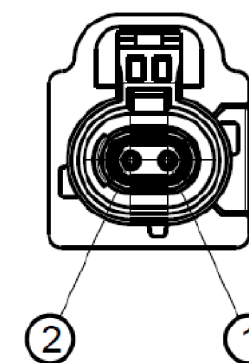
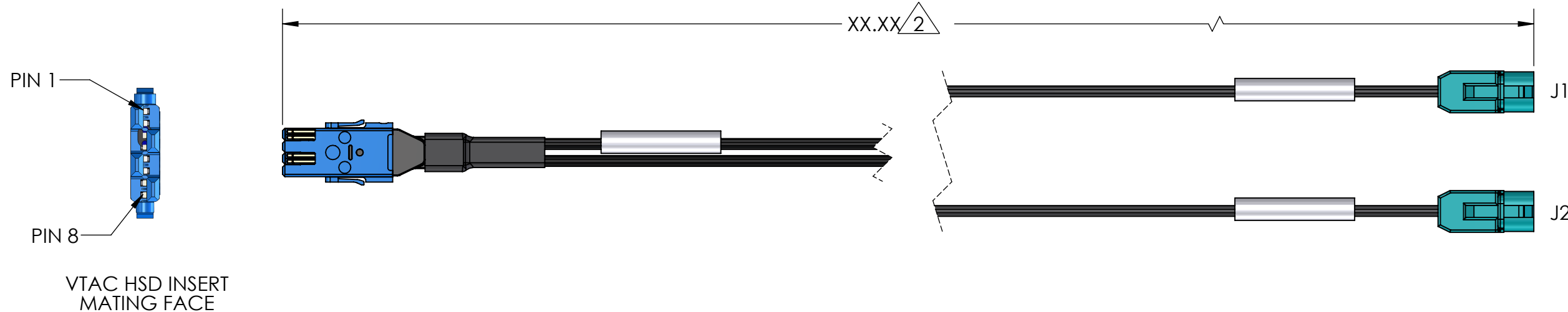


DO NOT SCALE DRAWING

THE INFORMATION CONTAINED HEREIN IS THE EXCLUSIVE PROPERTY OF VIRGINIA PANEL CORPORATION AND IS SUBMITTED FOR USE BY THE CUSTOMER ONLY. THE DATA SHALL NOT BE DUPLICATED, USED, OR DISCLOSED IN WHOLE OR IN PART FOR ANY PURPOSE OTHER THAN TO MAINTAIN THE EQUIPMENT PROVIDED. CONSULT WITH VIRGINIA PANEL CORPORATION ENGINEERING IF MORE DETAIL IS REQUIRED.

| REV | DESCRIPTION | DATE | ENGINEER |
|-----|----------------------------|---------|-----------|
| A | ORIGINAL RELEASE ECN #9885 | 1/21/20 | A SHEPARD |



H-MTD CABLE JACK CODING Z MATING FACE TYP.

| From Location (Conn - Pin) | LABEL | WIRE COLOR | To Location (Conn - Pin) |
|----------------------------|----------|------------|--------------------------|
| 1-1 | H-MTD J1 | NC | - |
| 1-2 | | WHITE | J1-1 |
| 1-3 | | GREEN | J1-2 |
| 1-4 | | NC | - |
| 1-5 | H-MTD J2 | NC | - |
| 1-6 | | WHITE | J2-1 |
| 1-7 | | GREEN | J2-2 |
| 1-8 | | NC | - |

| PART NUMBER | LENGTH (XX.XX) |
|-----------------|----------------|
| 7-142716765-012 | 12" [304.8] |
| 7-142716765-024 | 24" [609.6] |
| 7-142716765-036 | 36" [914.4] |
| 7-142716765-048 | 48" [1219.2] |
| 7-142716765-060 | 60" [1524] |
| 7-142716765-072 | 72" [1828.8] |
| 7-142716765-096 | 96" [2438.4] |

CUSTOMER DRAWING



PATCHCORD, RCV, VTAC, TO 2X H-MTD JACK UTP

| | | |
|----------------------------|-------------------|------------------------|
| DWG.NO. 7-142716765 | | REV A |
| SIZE B | SCALE NONE | CAGE CODE 18117 |
| | | SHEET 1 OF 1 |

3. WIRE CONSTRUCTION: 2X UNSHIELDED TWISTED PAIRS
 CONDUCTOR SIZE: 0.14MM²
 INSULATION: PP
 OUTER JACKET: TPE-S
 IMPEDANCE: 100 ± 5Ω

2 SEE TABLE FOR PATCHCORD LENGTH BY PART NUMBER.

1. FOR APPLICATION USE AND CARE INFORMATION CONSULT VPC USERS GUIDE @ WWW.VPC.COM

NOTES:

RELATIVE CONNECTOR POSITIONS AND WIRE ROUTING ARE GENERIC AND MAY VARY WITH PINOUT
 DIMENSIONS ARE SHOWN AS:
 [MILLIMETERS]
 INCHES