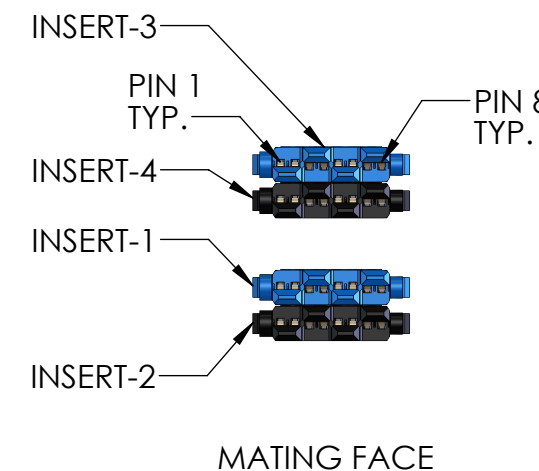
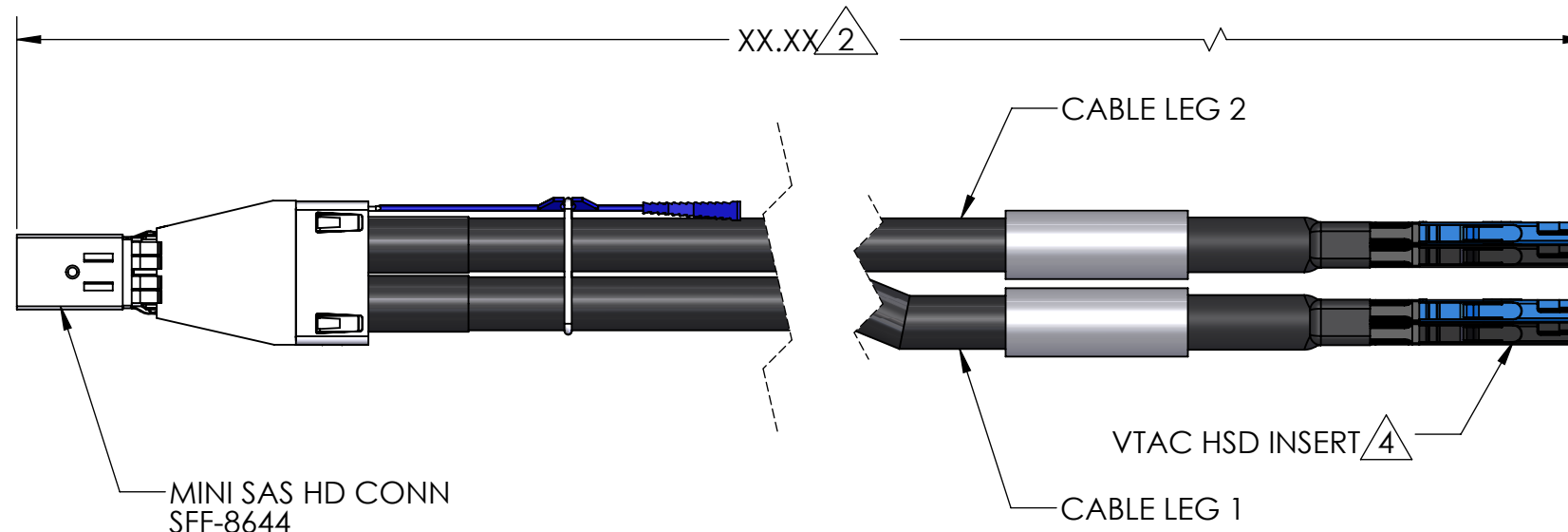
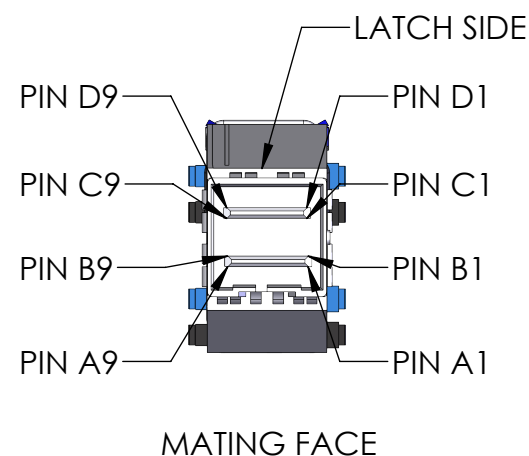


DO NOT SCALE DRAWING

THE INFORMATION CONTAINED HEREIN IS THE EXCLUSIVE PROPERTY OF VIRGINIA PANEL CORPORATION AND IS SUBMITTED FOR USE BY THE CUSTOMER ONLY. THE DATA SHALL NOT BE DUPLICATED, USED, OR DISCLOSED IN WHOLE OR IN PART FOR ANY PURPOSE OTHER THAN TO MAINTAIN THE EQUIPMENT PROVIDED. CONSULT WITH VIRGINIA PANEL CORPORATION ENGINEERING IF MORE DETAIL IS REQUIRED.

| REV | DESCRIPTION | DATE | ENGINEER |
|-----|-------------|------------|-----------|
| G | ECN #9724 | 11/20/2019 | A SHEPARD |



| CABLE LEG 1 | | |
|-------------|---------------|-----|
| FROM | SIGNAL | TO |
| B3 | SIGNAL GROUND | 1-1 |
| B7 | RX2+ | 1-2 |
| B8 | RX2- | 1-3 |
| B6 | SIGNAL GROUND | 1-4 |
| B6 | SIGNAL GROUND | 1-5 |
| A8 | RX3- | 1-6 |
| A7 | RX3+ | 1-7 |
| B9 | SIGNAL GROUND | 1-8 |
| A3 | SIGNAL GROUND | 2-1 |
| A4 | RX1+ | 2-2 |
| A5 | RX1- | 2-3 |
| A6 | SIGNAL GROUND | 2-4 |
| A6 | SIGNAL GROUND | 2-5 |
| B5 | RX0- | 2-6 |
| B4 | RX0+ | 2-7 |
| A9 | SIGNAL GROUND | 2-8 |

| CABLE LEG 2 | | |
|-------------|---------------|-----|
| FROM | SIGNAL | TO |
| C3 | SIGNAL GROUND | 3-1 |
| D7 | TX2+ | 3-2 |
| D8 | TX2- | 3-3 |
| C6 | SIGNAL GROUND | 3-4 |
| C6 | SIGNAL GROUND | 3-5 |
| C8 | TX3- | 3-6 |
| C7 | TX3+ | 3-7 |
| C9 | SIGNAL GROUND | 3-8 |
| D3 | SIGNAL GROUND | 4-1 |
| C4 | TX1+ | 4-2 |
| C5 | TX1- | 4-3 |
| D6 | SIGNAL GROUND | 4-4 |
| D6 | SIGNAL GROUND | 4-5 |
| D5 | TX0- | 4-6 |
| D4 | TX0+ | 4-7 |
| D9 | SIGNAL GROUND | 4-8 |

| 2 | PART NUMBER | LENGTH (XX.XX) |
|---|-----------------|----------------|
| | 7-142896722-012 | 12" [304.8] |
| | 7-142896722-024 | 24" [609.6] |
| | 7-142896722-036 | 36" [914.4] |
| | 7-142896722-048 | 48" [1219.2] |
| | 7-142896722-060 | 60" [1524] |
| | 7-142896722-072 | 72" [1828.8] |
| | 7-142896722-096 | 96" [2438.4] |

4 PINS A1, A2, B1, B2, C1, C2, D1, AND D2 ARE NOT ROUTED THROUGH THE VPC INTERFACE.

3. PATCHCORD CONFORMS TO MECHANICAL DIMENSIONING OF SFF-8644 AND ELECTRICAL PERFORMANCE OF SAS 3.0 SPEC.

2 SEE TABLE FOR PATCHCORD LENGTH BY PART NUMBER.

1. FOR APPLICATION USE AND CARE INFORMATION CONSULT VPC USERS GUIDE @ WWW.VPC.COM

NOTES:

RELATIVE CONNECTOR POSITIONS AND WIRE ROUTING ARE GENERIC AND MAY VARY WITH PINOUT
DIMENSIONS ARE SHOWN AS:
[MILLIMETERS]
INCHES

CUSTOMER DRAWING



VTAC HSD RCV TO MINI SAS HD

| | | |
|----------------------------|-------------------|------------------------|
| DWG.NO. 7-142896722 | | REV G |
| SIZE B | SCALE NONE | CAGE CODE 18117 |
| SHEET 1 OF 1 | | |