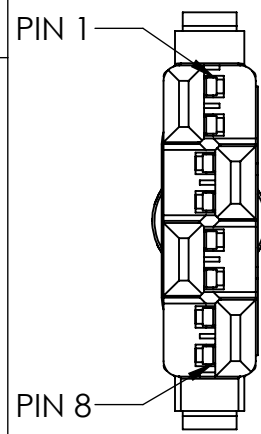
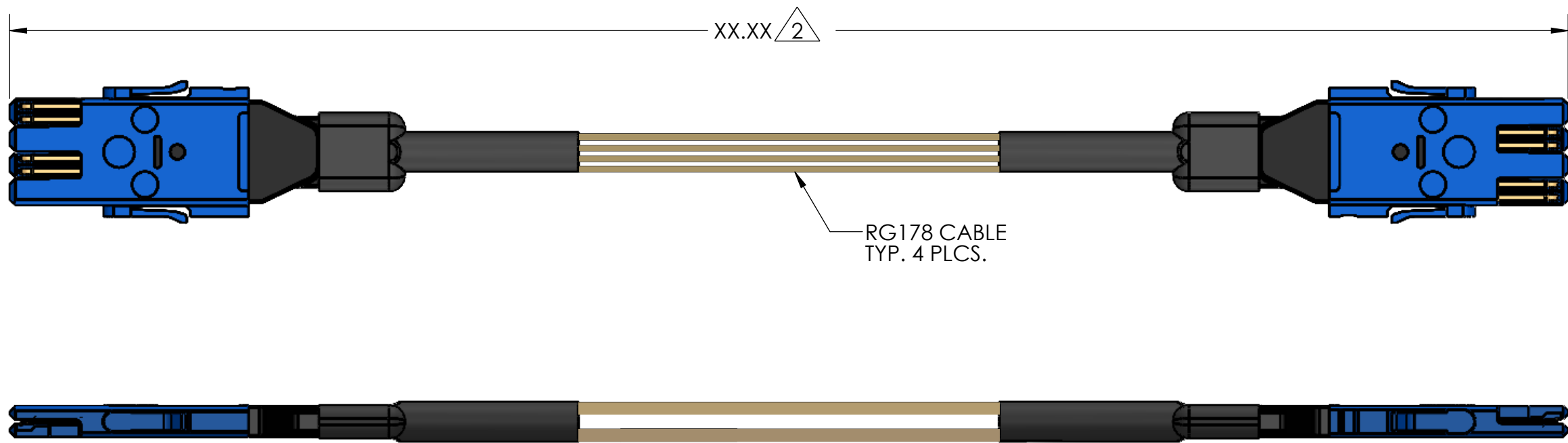


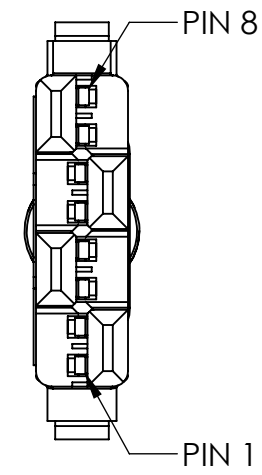
DO NOT SCALE DRAWING

THE INFORMATION CONTAINED HEREIN IS THE EXCLUSIVE PROPERTY OF VPC AND IS PERMITTED FOR USE BY THE CUSTOMER ONLY. THE DATA SHALL NOT BE DUPLICATED, USED, OR DISCLOSED IN WHOLE OR IN PART FOR ANY PURPOSE OTHER THAN TO MAINTAIN THE EQUIPMENT PROVIDED. CONSULT WITH VPC ENGINEERING IF MORE DETAIL IS REQUIRED.

REV	DESCRIPTION	DATE	ENGINEER
C	ORIGINAL RELEASE ECN #6252	8/23/2018	L LOCKRIDGE



MATING FACE



RUN #	FROM (INSERT-1 PIN)	WIRE TYPE	SIGNAL DESCRIPTION	FROM (INSERT-2 PIN)
1	1	SHIELD	GND 1	1
2	2	CENTER	S1	2
3	3	SHIELD	GND 2	3
4	4	CENTER	S2	4
5	5	SHIELD	GND 3	5
6	6	CENTER	S3	6
7	7	SHIELD	GND 4	7
8	8	CENTER	S4	8

PART NUMBER	LENGTH (XX.XX)
7-145178146-012	12" [304.8]
7-145178146-024	24" [609.6]
7-145178146-036	36" [914.4]
7-145178146-048	48" [1219.2]
7-145178146-060	60" [1524]
7-145178146-072	72" [1828.8]
7-145178146-096	96" [2438.4]

CUSTOMER DRAWING



PCSIG HSPD ITA RG178 RCV

RELATIVE CONNECTOR POSITIONS AND WIRE ROUTING ARE GENERIC AND MAY VARY WITH PINOUT
 DIMENSIONS ARE SHOWN AS:
 [MILLIMETERS]
 INCHES

DWG.NO.		7-145178146		REV	C
SIZE	SCALE	CAGE CODE	SHEET		
B	NONE	18117	1 OF 2		

2 SEE TABLE FOR PATCHCORD LENGTH BY PART NUMBER.

1. FOR MORE INFORMATION VISIT VPC.COM

NOTES: