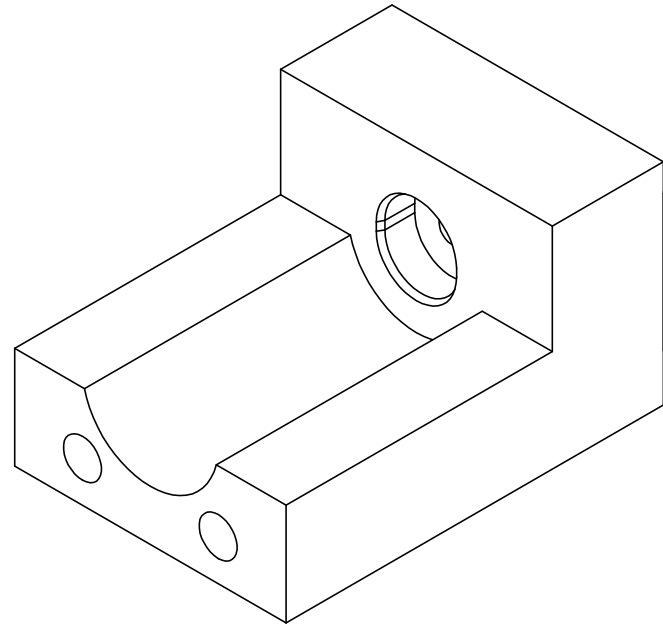


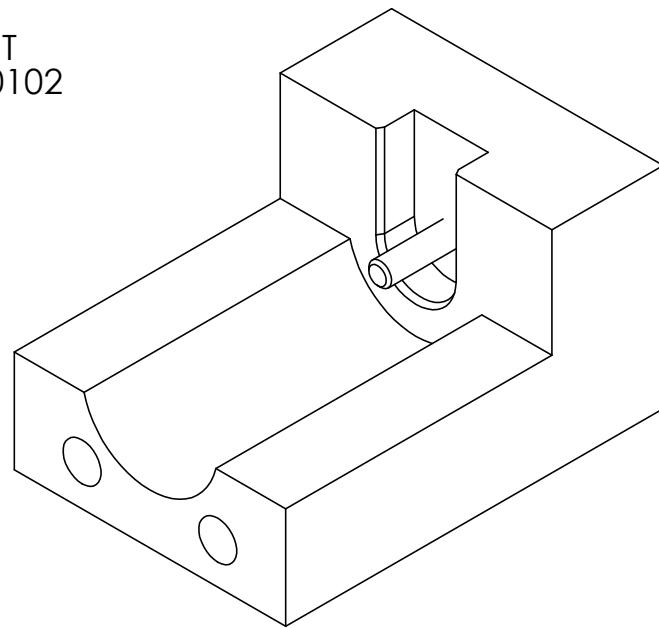
DO NOT SCALE DRAWING

THE INFORMATION CONTAINED HEREIN IS THE EXCLUSIVE PROPERTY OF VIRGINIA PANEL CORPORATION AND IS SUBMITTED FOR USE BY THE CUSTOMER ONLY. THE DATA SHALL NOT BE DUPLICATED, USED, OR DISCLOSED IN WHOLE OR IN PART FOR ANY PURPOSE OTHER THAN TO MAINTAIN THE EQUIPMENT PROVIDED. CONSULT WITH VIRGINIA PANEL CORPORATION ENGINEERING IF MORE DETAIL IS REQUIRED.

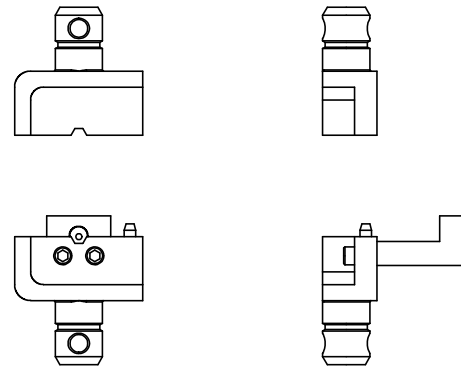
REVISIONS			
REV	DESCRIPTION	DATE	ENGR
G	ECN# 4229	8/24/12	S RIDDLE



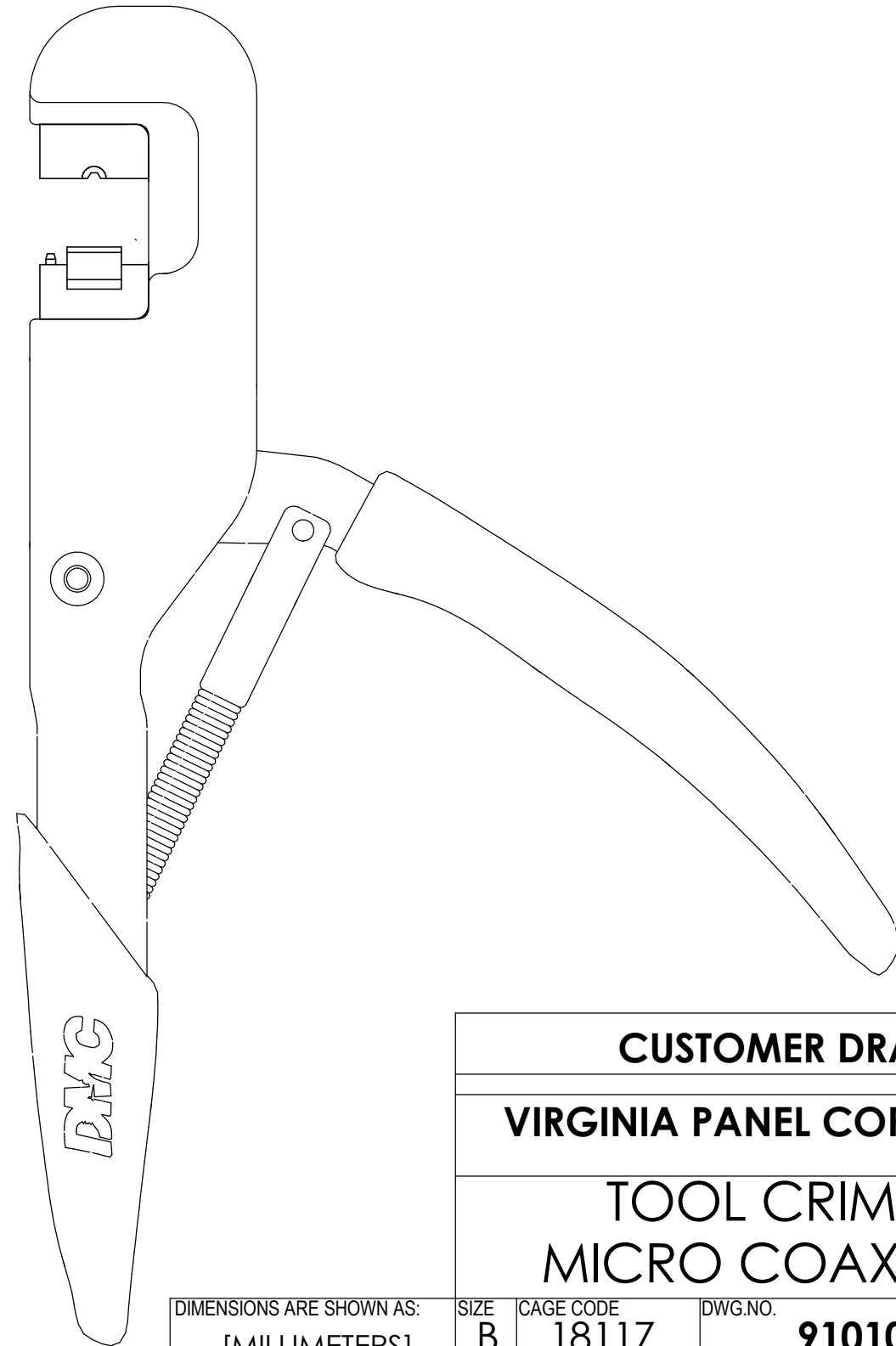
RECEIVER CONTACT LOCATOR FOR 610140102



ITA CONTACT LOCATOR FOR 610141102



TOOL HANDLE NOT SHOWN IN ALL VIEWS FOR CLARITY



- NOTES:
- FOR USE WITH MICRO COAX CONTACTS 610140102 & 610141102.
  - FOR APPLICATION USE AND CARE INFORMATION CONSULT VPC USERS GUIDE @ WWW.VPC.COM

<b>CUSTOMER DRAWING</b>			
<b>VIRGINIA PANEL CORPORATION</b> WWW.VPC.COM			
<b>TOOL CRIMP KIT</b> <b>MICRO COAX RG178</b>			
DIMENSIONS ARE SHOWN AS: [MILLIMETERS] INCHES	SIZE <b>B</b>	CAGE CODE <b>18117</b>	DWG.NO. <b>910101131</b>
	SCALE: NONE	910101131	8/28/08
		SHEET	1 OF 1

D  
C  
B  
A

D  
C  
B  
A

4 3 2 1