

4

3

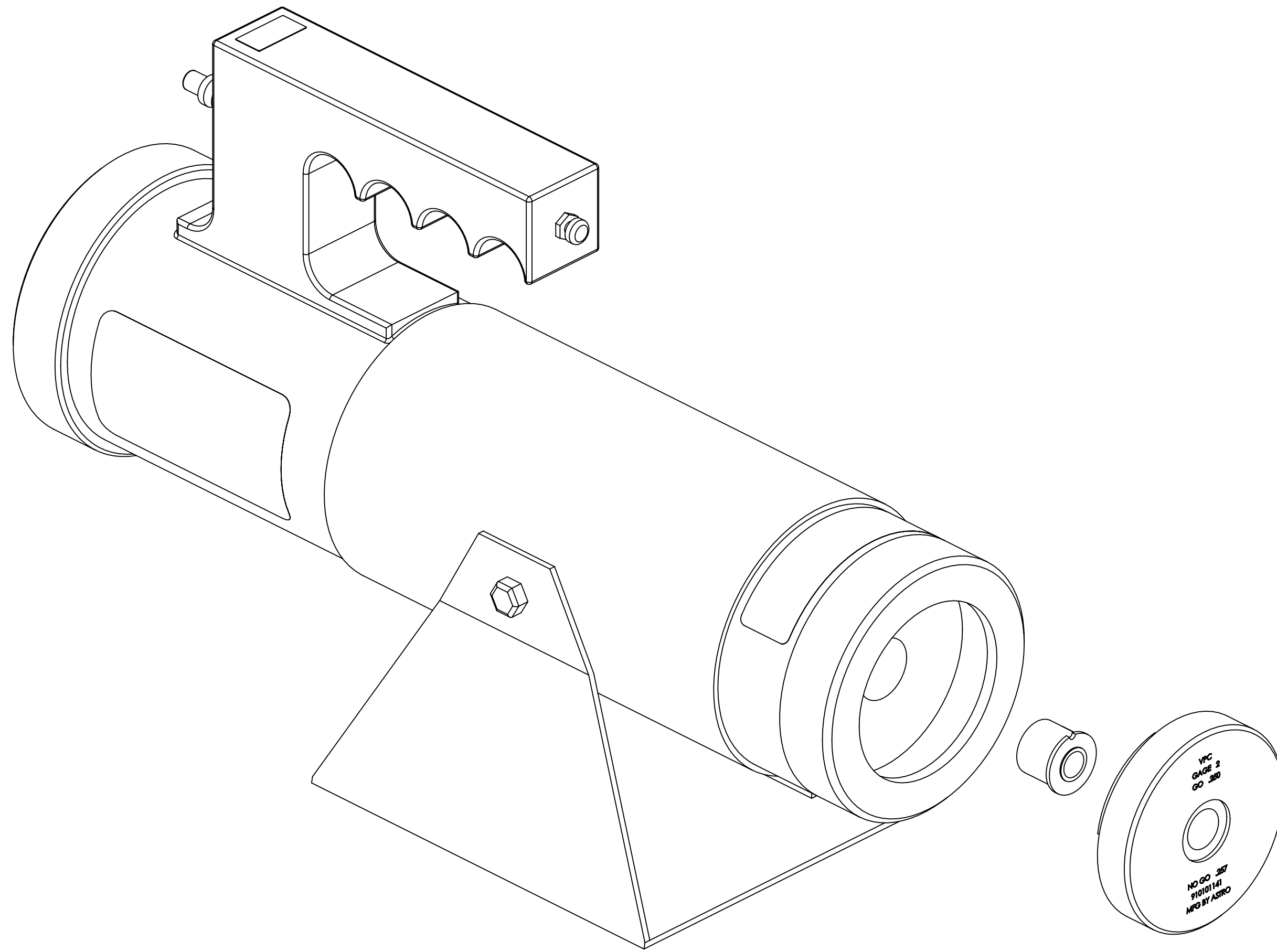
2

1

DO NOT SCALE DRAWING

THE INFORMATION CONTAINED HEREIN IS THE EXCLUSIVE PROPERTY OF VPC AND IS PERMITTED FOR USE BY THE CUSTOMER ONLY. THE DATA SHALL NOT BE DUPLICATED, USED, OR DISCLOSED IN WHOLE OR IN PART FOR ANY PURPOSE OTHER THAN TO MAINTAIN THE EQUIPMENT PROVIDED. CONSULT WITH VPC ENGINEERING IF MORE DETAIL IS REQUIRED.

REVISIONS			
REV	DESCRIPTION	DATE	ENGR
B	ECN #14619	1/7/25	J HARDIGREE



D

D

C

C

B

B

A

A

1. FOR MORE INFORMATION, VISIT VPC.COM.
NOTES:

DIMENSIONS ARE SHOWN AS:			
[MILLIMETERS]	SIZE	CAGE CODE	DWG. NO.
INCHES	C	18117	910102116
SCALE: NONE		910102116	11/20/13 SHEET 1

CUSTOMER DRAWING
VIRGINIA PANEL CORPORATION
TOOL, CRP KIT (PNEU CRP TOOL, LOC, & DIE), HI PWR, RCVR & ITA

4

3

2

1