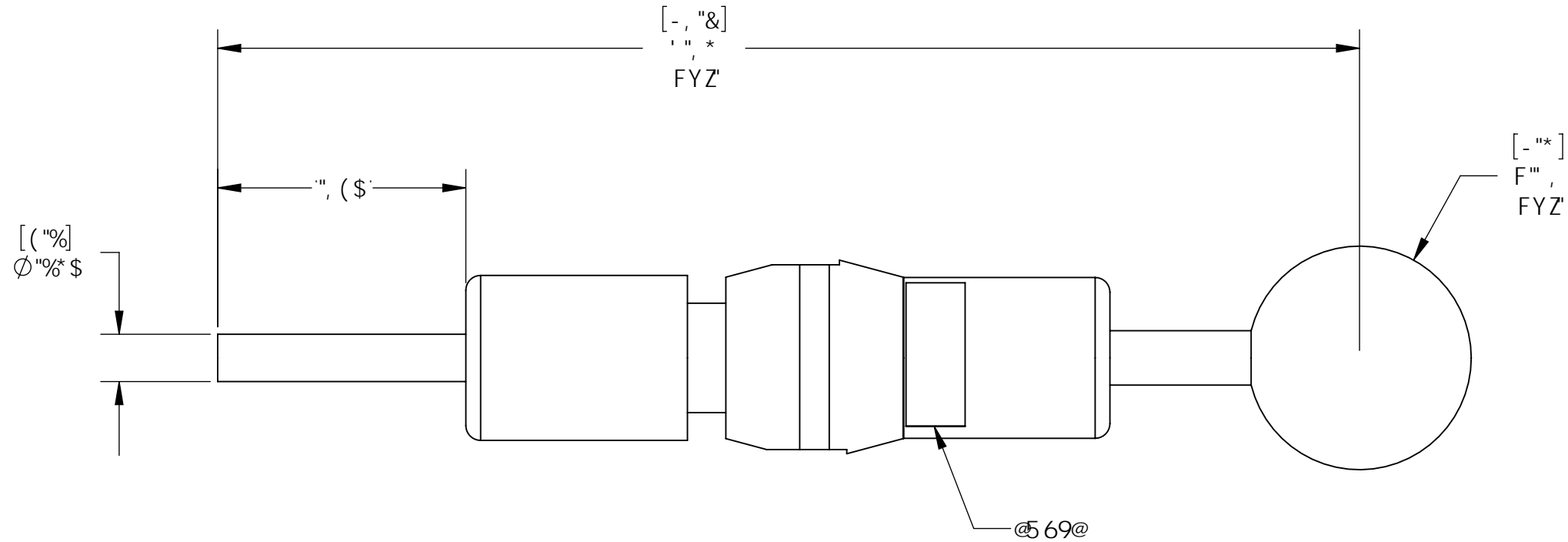


8C BC HG7 5@98F5K B;

THE INFORMATION CONTAINED HEREIN IS THE EXCLUSIVE PROPERTY OF VIRGINIA PANEL CORPORATION AND IS SUBMITTED FOR USE BY THE CUSTOMER ONLY. THE DATA SHALL NOT BE DUPLICATED, USED, OR DISCLOSED IN WHOLE OR IN PART FOR ANY PURPOSE OTHER THAN TO MAINTAIN THE EQUIPMENT PROVIDED. CONSULT WITH VIRGINIA PANEL CORPORATION ENGINEERING IF MORE DETAIL IS REQUIRED.

F9J GC BG			
F9J	89G7 F DHC B	85H9	9B; F
7	97 B ; +* \$,	+ #&, #%+	85G<6M



7I GCA 9F 8F5K B;			
J F; B-5 D5B9@7 C FDC F5HC B KKK "JD7 "7 CA			
Hc ž 9l hfUWh]cbžA]fc 7 cUl 7 cbhUWh			

%": CF 5DD@7 5HC B I G9 5B8 7 5F9 B: C FA 5HC B 7 C BG @ HJ D7 I G9FG; I -89 4 K K K "J D7 "7 CA
BC H9G

DIMENSIONS ARE SHOWN AS:	SIZE	CAGE CODE	DWG.NO.	REV
GA @A 9HDFGQ B7 <9G	6	% %/+	- %\$%&%&'	7
	G7 5 @.	&.%	- %\$%&%&'	, #&# \$) G<99H %C : %