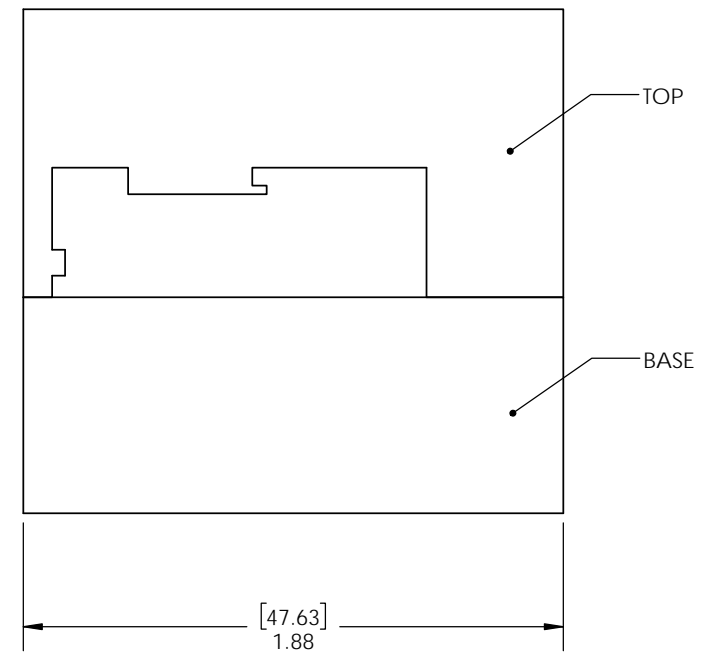
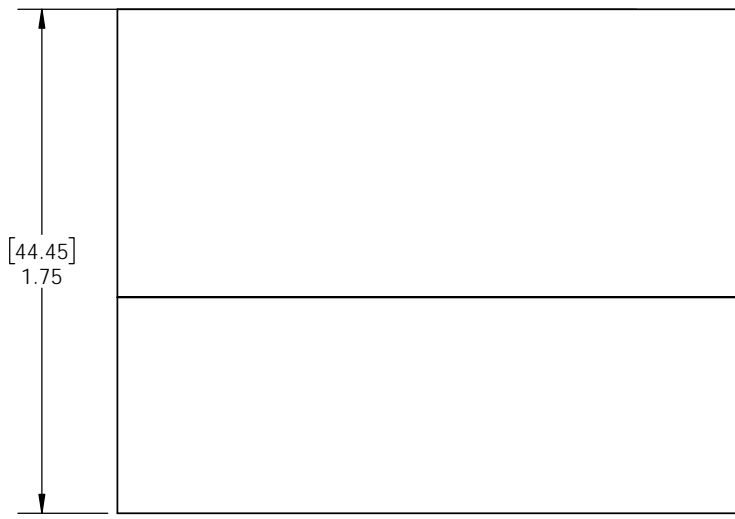
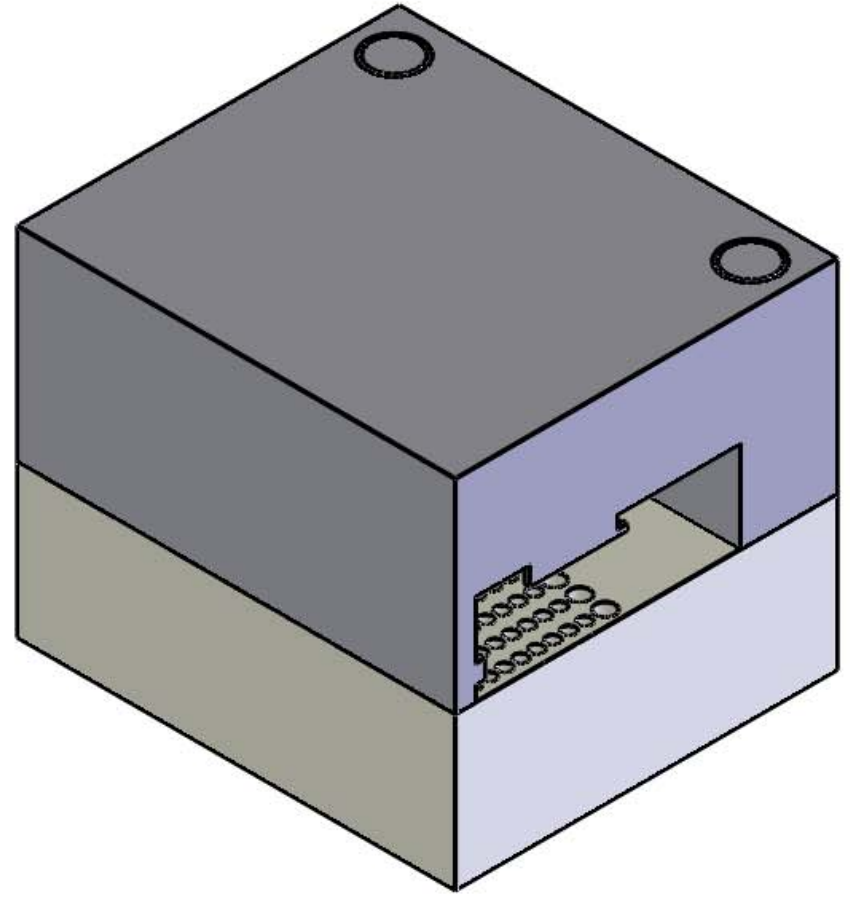
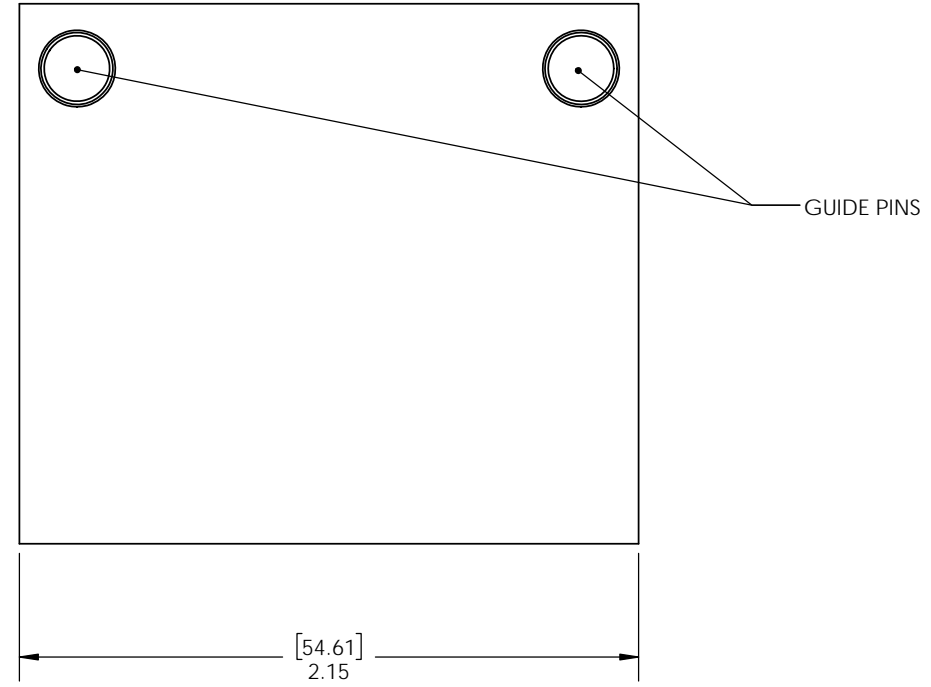


THE INFORMATION CONTAINED HEREIN IS THE EXCLUSIVE PROPERTY OF VIRGINIA PANEL CORPORATION AND IS SUBMITTED FOR USE BY THE CUSTOMER ONLY. THE DATA SHALL NOT BE DUPLICATED, USED, OR DISCLOSED IN WHOLE OR IN PART FOR ANY PURPOSE OTHER THAN TO MAINTAIN THE EQUIPMENT PROVIDED.

REV	DESCRIPTION	DATE	ENGINEER
A	DRAWING ORIGATION ECN #6747	5/11/2016	C CHURCH



2. MATERIAL:  
 BASE = G10  
 TOP = NICKEL PLATED ALUMINUM  
 GUIDE PINS = STAINLESS STEEL

1. FOR APPLICATION USE AND CARE INFORMATION CONSULT VPC USERS GUIDE @ WWW.VPC.COM  
 NOTES:

RELATIVE CONNECTOR POSITIONS AND WIRE ROUTING ARE GENERIC AND MAY VARY WITH PINOUT  
 DIMENSIONS ARE SHOWN AS:  
 [MILLIMETERS]  
 INCHES

**CUSTOMER DRAWING**

**RIGHT ANGLE VTAC INSERTION TOOL**

DWG. NO.	910112132	REV	A
SCALE	3:2	CAGE CODE	18117
		SHEET	1 OF 1