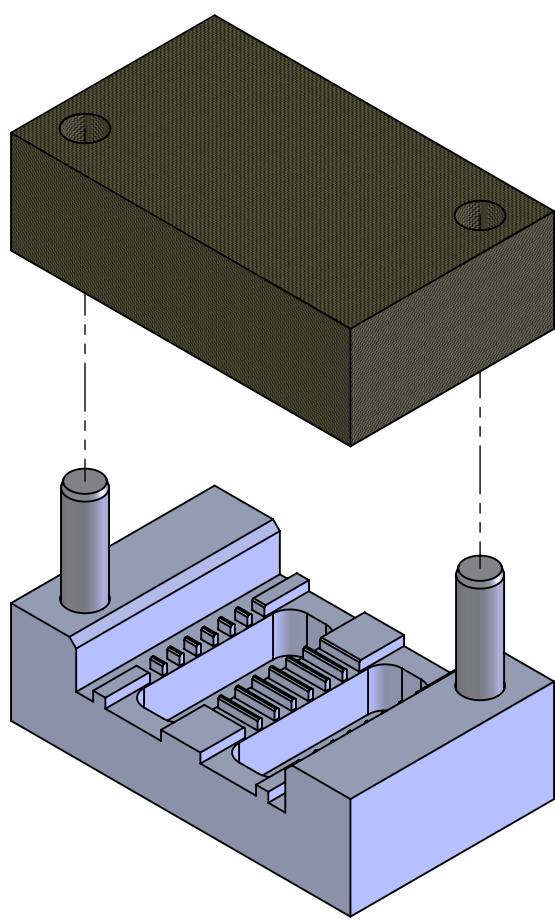
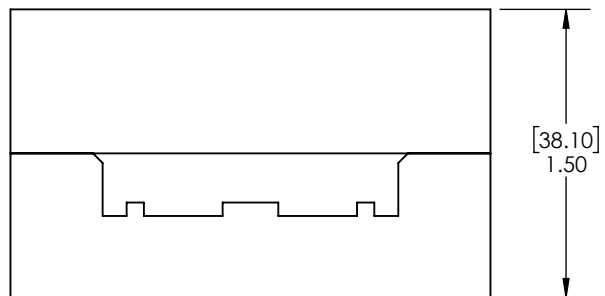
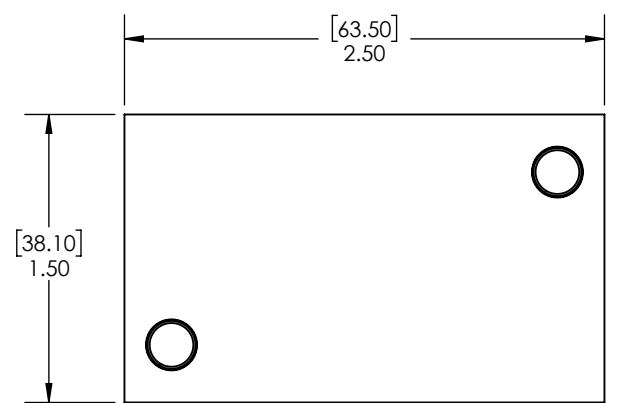


THE INFORMATION CONTAINED HEREIN IS THE EXCLUSIVE PROPERTY OF VIRGINIA PANEL CORPORATION AND IS SUBMITTED FOR USE BY THE CUSTOMER ONLY. THE DATA SHALL NOT BE DUPLICATED, USED, OR DISCLOSED IN WHOLE OR IN PART FOR ANY PURPOSE OTHER THAN TO MAINTAIN THE EQUIPMENT PROVIDED.

REV	DESCRIPTION	DATE	ENGINEER
A	ORIGINAL RELEASE ECN #10785	10/20/20	C CHURCH



2. MATERIALS:  
 BASE - NICKEL PLATED ALUMINUM  
 TOP - FR-4  
 GUIDE PINS - STAINLESS STEEL

1. FOR APPLICATION USE AND CARE INFORMATION CONSULT VPC USERS GUIDE @ WWW.VPC.COM

NOTES:

RELATIVE CONNECTOR POSITIONS AND WIRE ROUTING ARE GENERIC AND MAY VARY WITH PINOUT  
 DIMENSIONS ARE SHOWN AS:  
 [MILLIMETERS]  
 INCHES

<b>CUSTOMER DRAWING</b>		
<b>VTAC VERTICAL INSERT INSERTION TOOL ICON</b>		
DWG.NO.	<b>910112135</b>	REV A
SCALE 1:1	CAGE CODE 18117	SHEET 1 OF 1