

4

3

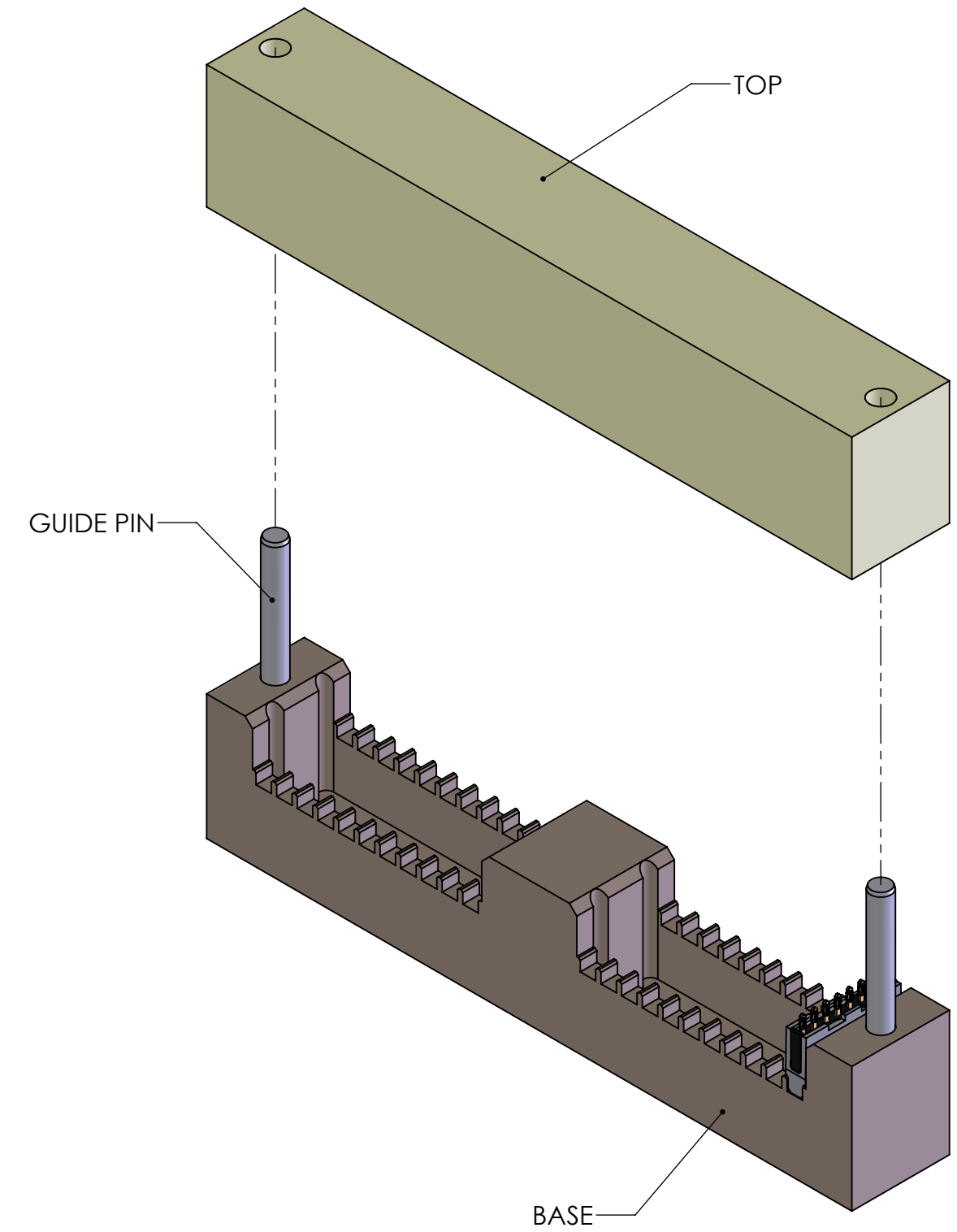
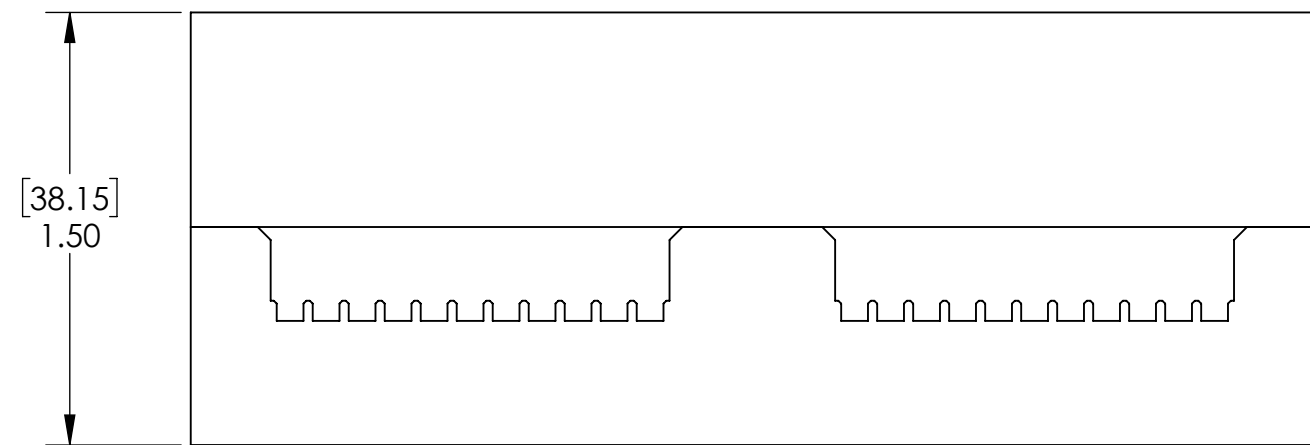
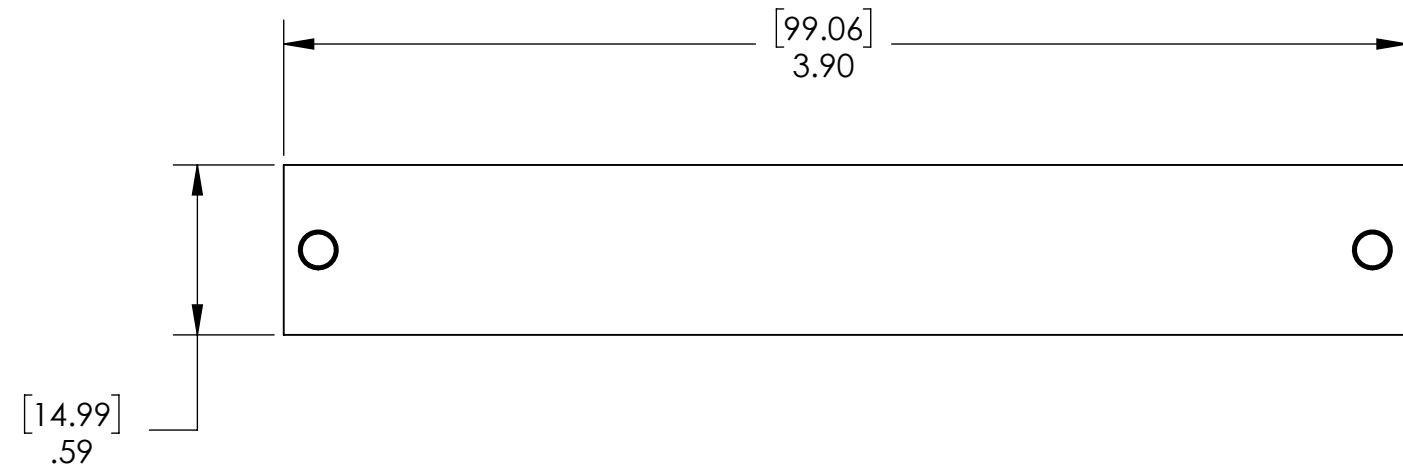
2

1

DO NOT SCALE DRAWING

THE INFORMATION CONTAINED HEREIN IS THE EXCLUSIVE PROPERTY OF VIRGINIA PANEL CORPORATION AND IS SUBMITTED FOR USE BY THE CUSTOMER ONLY. THE DATA SHALL NOT BE DUPLICATED, USED, OR DISCLOSED IN WHOLE OR IN PART FOR ANY PURPOSE OTHER THAN TO MAINTAIN THE EQUIPMENT PROVIDED. CONSULT WITH VIRGINIA PANEL CORPORATION ENGINEERING IF MORE DETAIL IS REQUIRED.

REVISIONS			
REV	DESCRIPTION	DATE	ENGR
A	DRAWING ORIGATION - ECN #9645	10/30/2019	R GARMAN



2. MATERIALS:  
 BASE - NICKEL PLATED ALUMINUM  
 TOP - FR-4  
 GUIDE PINS - CASE HARDENED STEEL

1. FOR APPLICATION USE & CARE INFORMATION CONSULT VPC USERS GUIDE @WWW.VPC.COM  
 NOTES:

RELATIVE CONNECTOR POSITIONS  
 AND WIRE ROUTING ARE GENERIC  
 AND MAY VARY WITH PINOUT  
 DIMENSIONS ARE SHOWN AS:  
 [MILLIMETERS]  
 INCHES

<b>CUSTOMER DRAWING</b>			
<b>VIRGINIA PANEL CORPORATION</b> WWW.VPC.COM			
<b>i2MX VERTICAL VTAC PCB INSERTION TOOL</b>			
SIZE <b>C</b>	CAGE CODE <b>18117</b>	DWG. NO. <b>910112134</b>	REV <b>A</b>
SCALE: 3:2	910112134	10/30/2019	SHEET 1 OF 1

4

3

2

1

D

D

C

C

B

B

A

A