

i2 Micro iCon



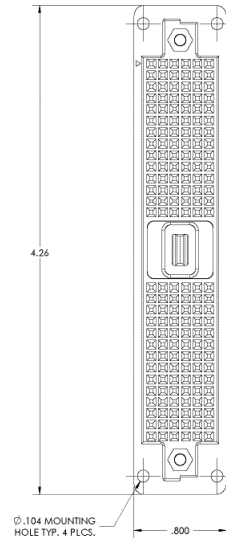
Features and Benefits

- Ideal for small connector needs and low I/O applications
- Rugged engagement mechanism engineered for 10,000 cycles
- Sleek 0.8" footprint
- 168 signal positions available using VPC's Quadrapaddle technology
- Hybrid solutions offers 144 signal points with 12 micro coax pins
- Standard or twin female signal contacts allow PCB mountability
- 84-pin header contains solderless pins which enables direct connection from the i2 receiver to PXI card
- Locking tabs with spring locks ensure even locking and engagement
- Optional keying prevents damage to connectors
- Straight-in locking prevents stubbing of pins
- Easy access to wiring with removable ITA backshell
- Rugged durability withstands shock and vibration testing

i2 Receiver

Specifications

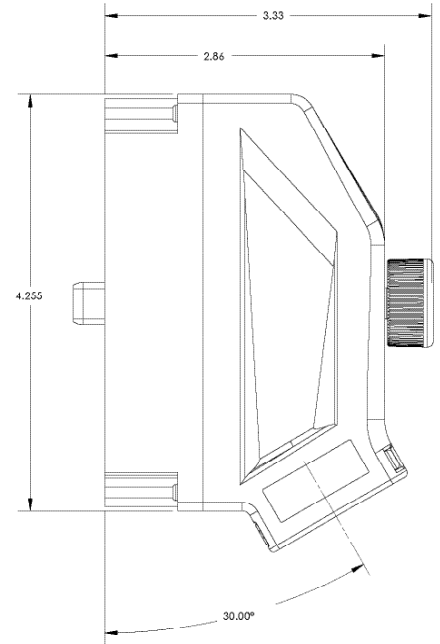
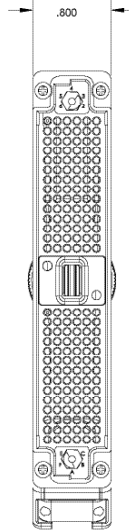
Frame Material	Thermoplastic
Hardware Material	Stainless Steel Alloy
Available Contact Positions	168
Cycle Life	10,000 Cycles
Temperature	-55° C to 100° C



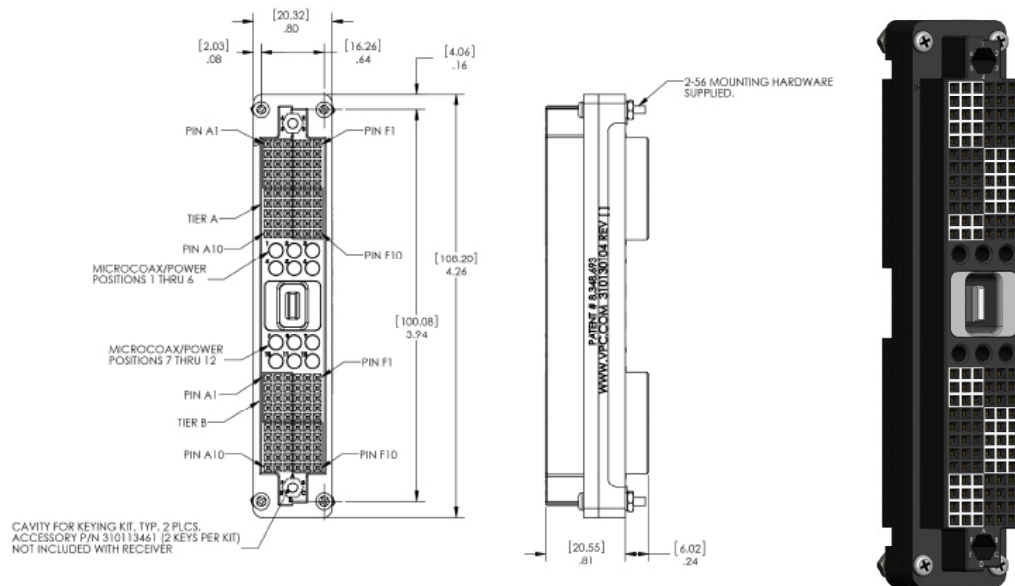
i2 ITA

Specifications

Frame Material and Clamp Housing	Thermoplastic
Backshell	Thermoplastic
Cable Clamp Material	Powder-coated aluminum
Available Contact Positions	168
Cycle Life	10,000 Cycles
Temperature	-55° C to 100° C

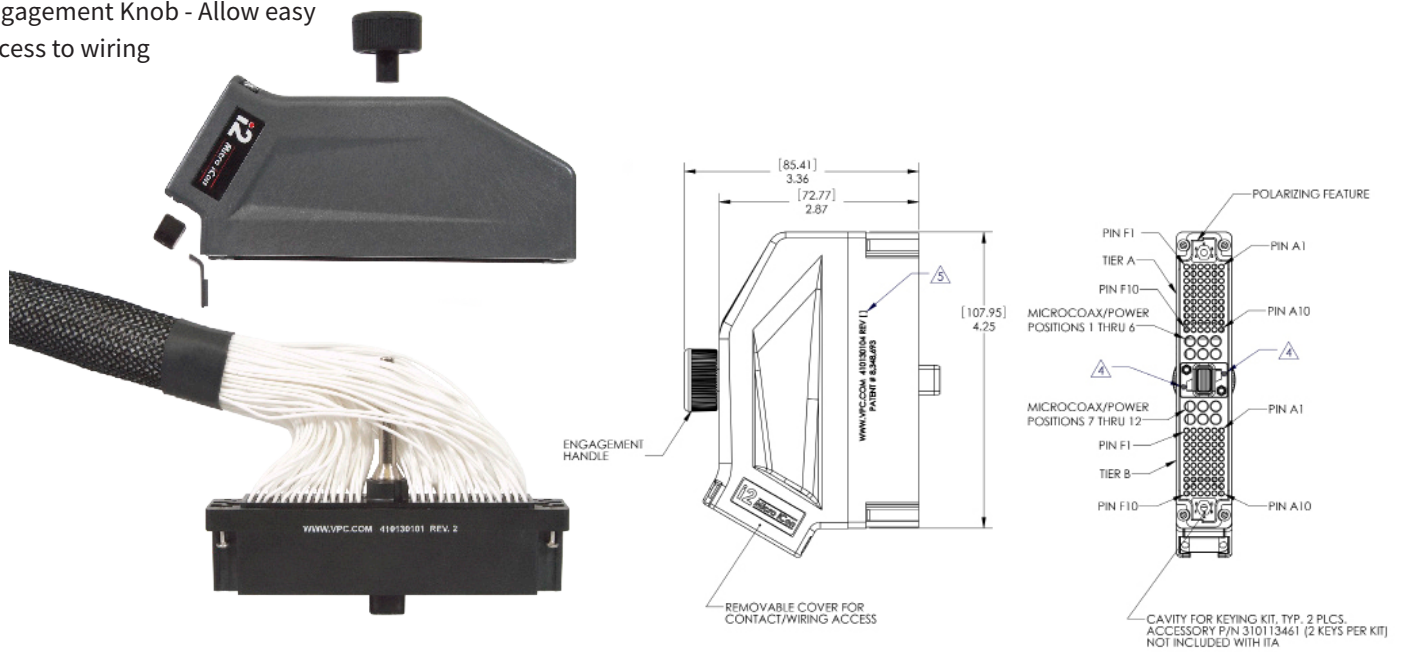


i2: Hybrid



Hybrid version of i2 Micro iCon offers 144 QuadraPaddle™ signal pins and 6 micro coax pins

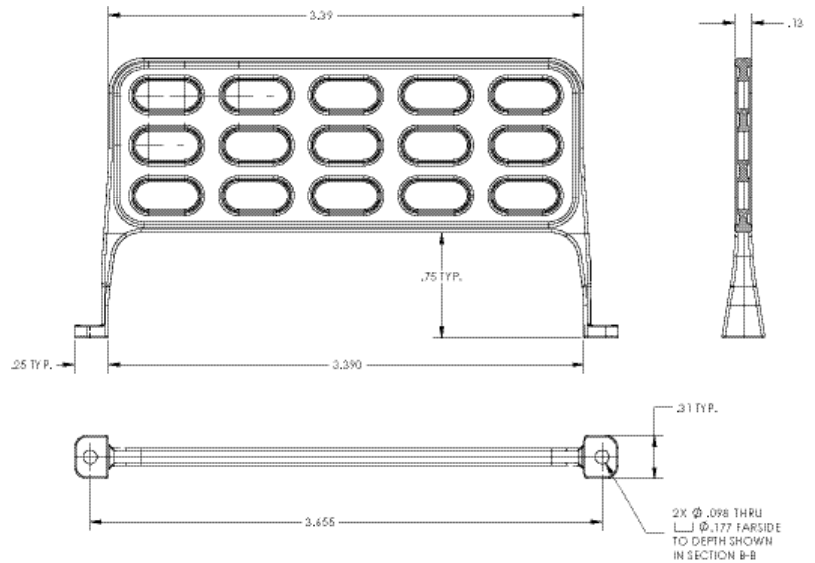
ITA Removable Backshell and Engagement Knob - Allow easy access to wiring



Strain Relief Plate

Specifications

Frame Material	Powder Coated Aluminum
Hardware Material	Stainless Steel Alloy
Available Contact Positions	168
Cycle Life	10,000 Cycles
Temperature	-55° C to 100° C



Keying Pins

Specifications

Material	Clear Anodized Aluminum
Hardware	SST Alloy
Temperature	-55° C to 100° C

