

# S Series

## 1U InterConnect Solutions



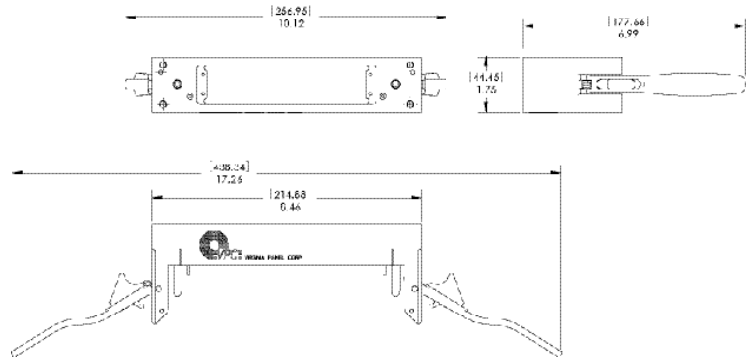
### Features and Benefits

- 1U height offers maximum module positions in minimal rack space
- Scalable solutions for 2, 4, and 6 module requirements
- Latch-locking handles with two points of contact per handle for easy glide docking

- Guide pins guarantee consistent lead-in with every connection
- Table or rack-mountable receivers
- Ideal for in-line test applications
- S6 model has 36 keying options available
- Reliable connectivity beyond 20,000 cycles

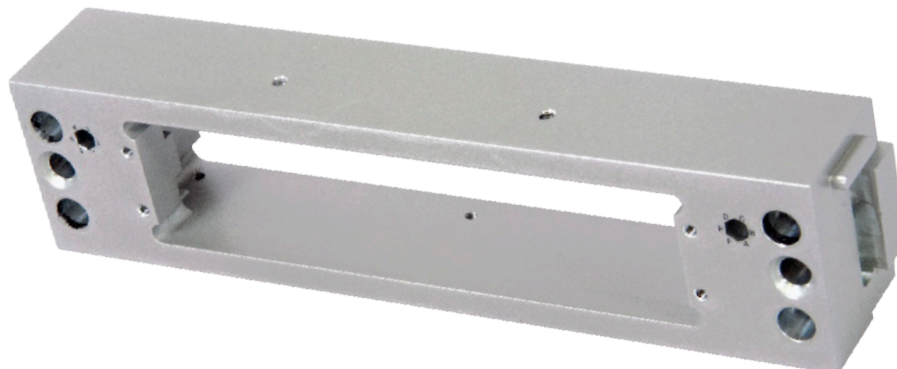
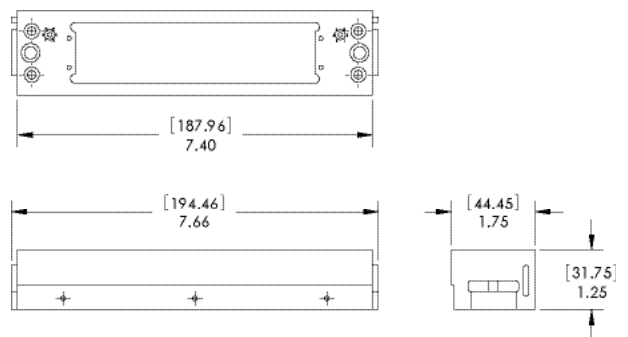
# S2 Receiver - 2 Module Solution

Specifications	
Rotation Block Material	Powder Coated Aluminum
Frame Material	Powder Coated Aluminum
Handle Material	Nickel Plated Alloy Steel
Alignment Pins	Stainless Steel
Available Module Slots	2 positions
Cycle Life	20,000 cycles
Temperature	-55°C to 85°C



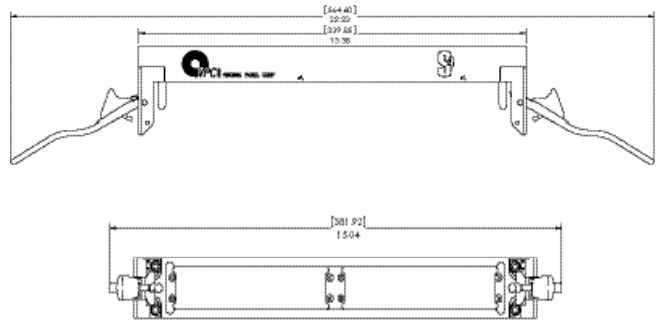
# S2 ITA - 2 Module Solution

Specifications	
Frame Material	Powder Coated Zinc Alloy
Available Module Slots	2 positions
Cycle Life	20,000 cycles
Temperature	-55°C to 85°C



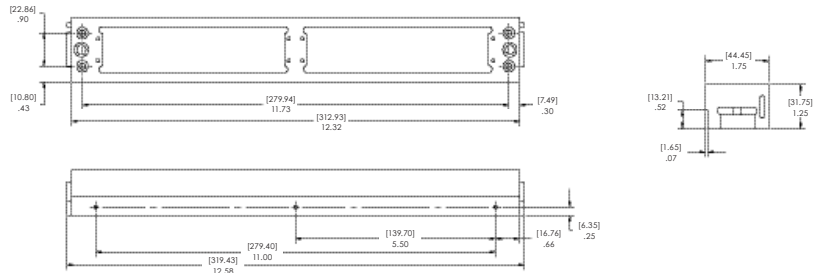
## S4 Receiver - 4 Module Solution

Specifications	
Rotation Block Material	Powder Coated Aluminum
Frame Material	Powder Coated Aluminum Alloy
Handle Material	Nickel Plated Alloy Steel
Alignment Pins	Stainless Steel
Available Module Slots	4 Positions
Cycle Life	20,000 Cycles
Temperature	-55° C to 85° C



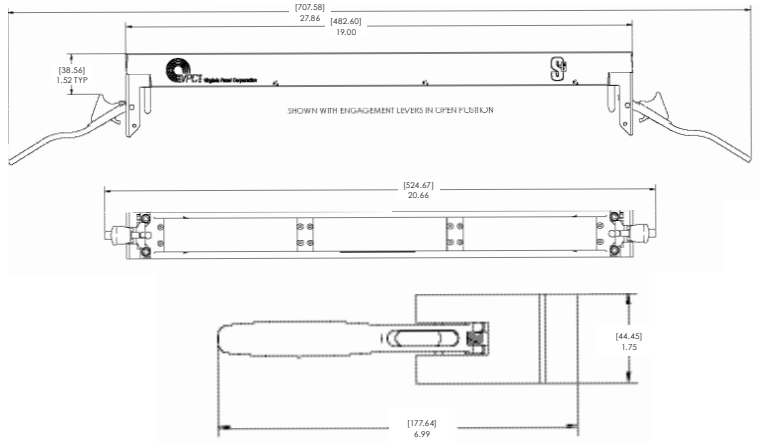
## S4 ITA - 4 Module Solution

Specifications	
Frame Material	Powder Coated Zinc Alloy
Available Module Slots	4 Positions
Cycle Life	20,000 Cycles
Temperature	-55° C to 85° C



# S6 Receiver - 6 Module Solution

Specifications	
Rotation Block Material	Powder Coated Aluminum
Frame Material	Powder Coated Zinc Alloy
Handle Material	Nickel Plated Alloy Steel
Alignment Pins	Stainless Steel
Available Module Slots	6 Positions
Cycle Life	20,000 Cycles
Temperature	-55° C to 85° C



# S6 ITA - 6 Module Solution

Specifications	
Frame Material	Powder Coated Zinc Alloy
Available Module Slots	6 Positions
Cycle Life	20,000 Cycles
Temperature	-55° C to 85° C

