

Tech Tip: G10x ITA Ground Screw Installation

The 410114138 backshell does not include a dedicated grounding screw.

To ground the backshell, replace one of the screws used to secure the removable plate (Figure A) with a 4-40 screw, 4-40 nut, and washer. Use this hardware to attach a ring lug, as shown in Figure B.

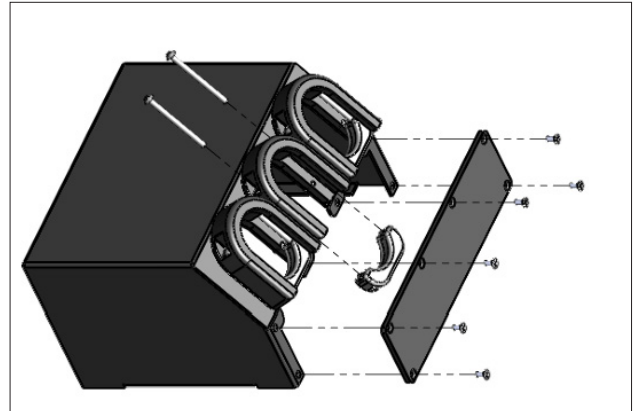


Figure A. 410114138 Backshell plate removal

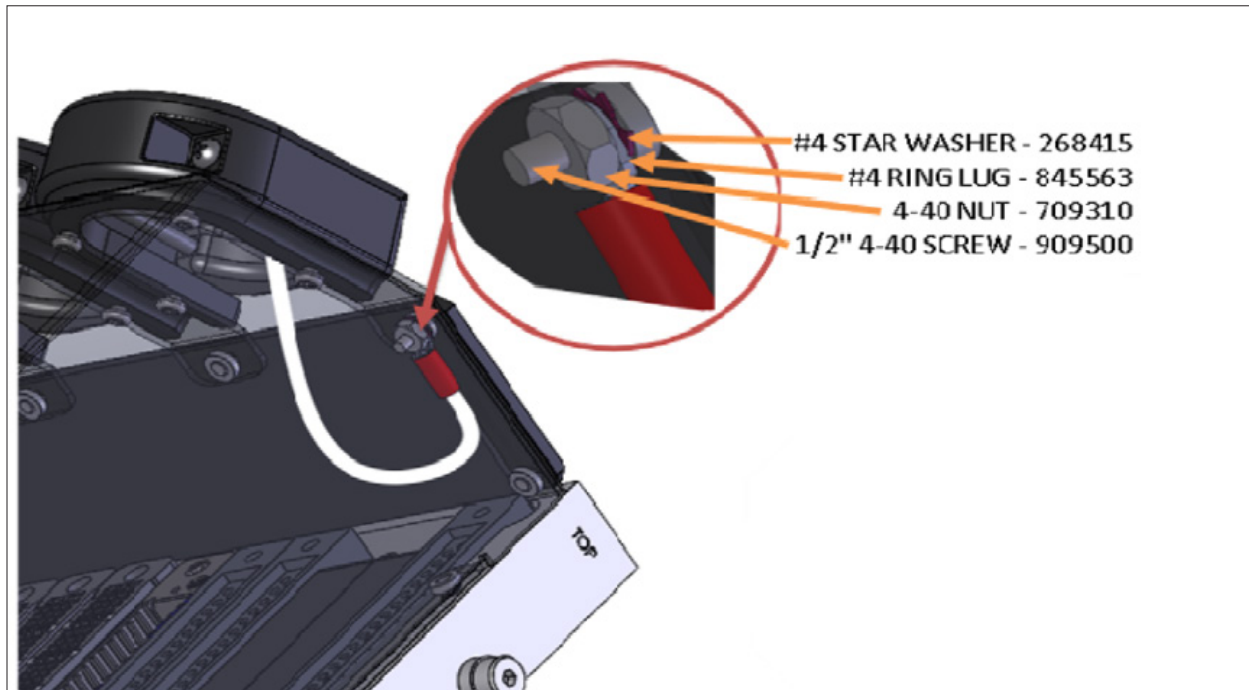


Figure B. Backshell grounding screw installation