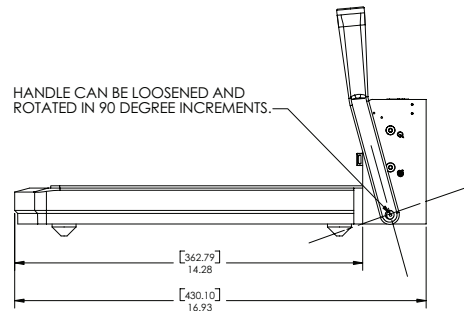
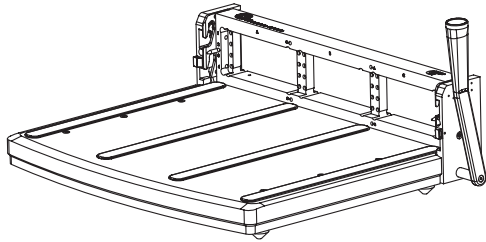


Tech Tips: G12 & G12x Handle Rotation Options

1. Remove the handle set screw with a $\frac{3}{32}$ Allen wrench.
2. Remove the handle and reposition in 90° increments.
3. Replace the screw and tighten until the handle is secured tightly.

310104325, 310104386, 310104408, & 310104410 : G12/G12x receiver with a 15" platform show with handle in the standard disengaged position.



310104334, 310104385, 310104409, & 310104411 : G12/G12x receiver with a 20" platform show with handle in the standard engaged position.

