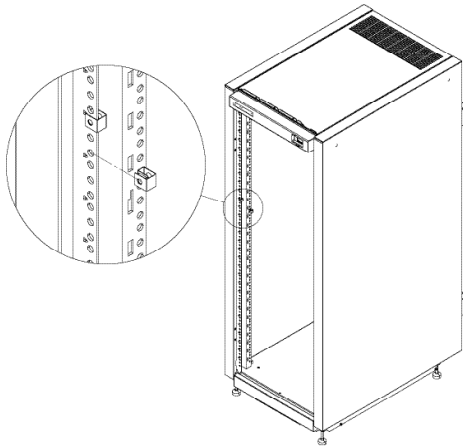
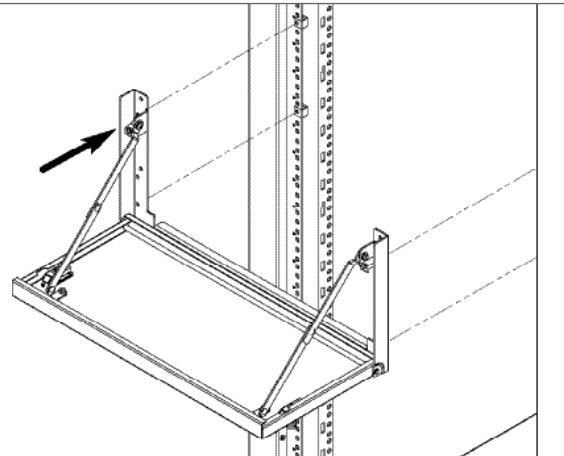


Tech Tips: Mounting Receivers to Racks



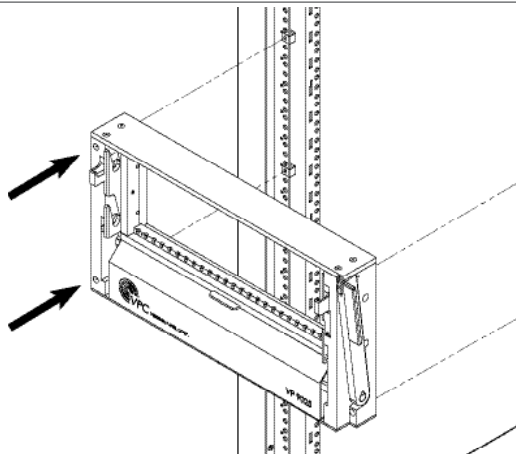
Installing Clip/Cage Nuts

1. Install clip/cage nut over mounting hole to be used.
2. Snap into place.
3. Refer to VPC product drawing for proper mounting hole positions.



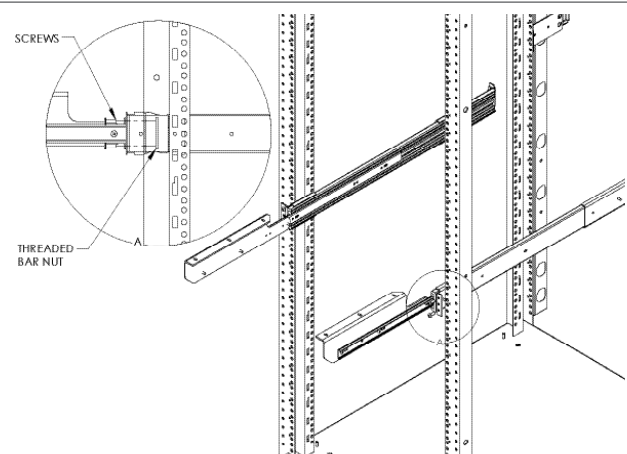
Installing Vertical Hinged Mounting Frames

1. Place Vertical Hinged Mounting Frame over clip/cage nuts on rack, making sure they are aligned.
2. Tighten screws in a cross pattern to ensure even torque is applied.



Installing Receiver Directly

1. Place receiver over clip/cage nuts on rack, making sure they are aligned.
2. Tighten screws in a cross pattern to ensure even torque is applied.



Installing Slide Kits

1. Align the holes on the front of the slide kit with the holes on the threaded bar nut provided.
 *If needed, loosen the two slot screws on the rear of the slides and adjust the slide's length for the proper fit over the rack (must fully extend slides to expose screws).
2. Tighten the front screws and repeat step one on the back, make sure that the slides are level.

*NOTE: Refer to Slide Measuring and Rack Extender Kit Tech Tips and VPC product drawing for mounting accessories for reference of included/required hardware.