

Tech Tips: Rack Extender Kit Dimensions

Measure dimension C to determine if a rack extender kit is needed.

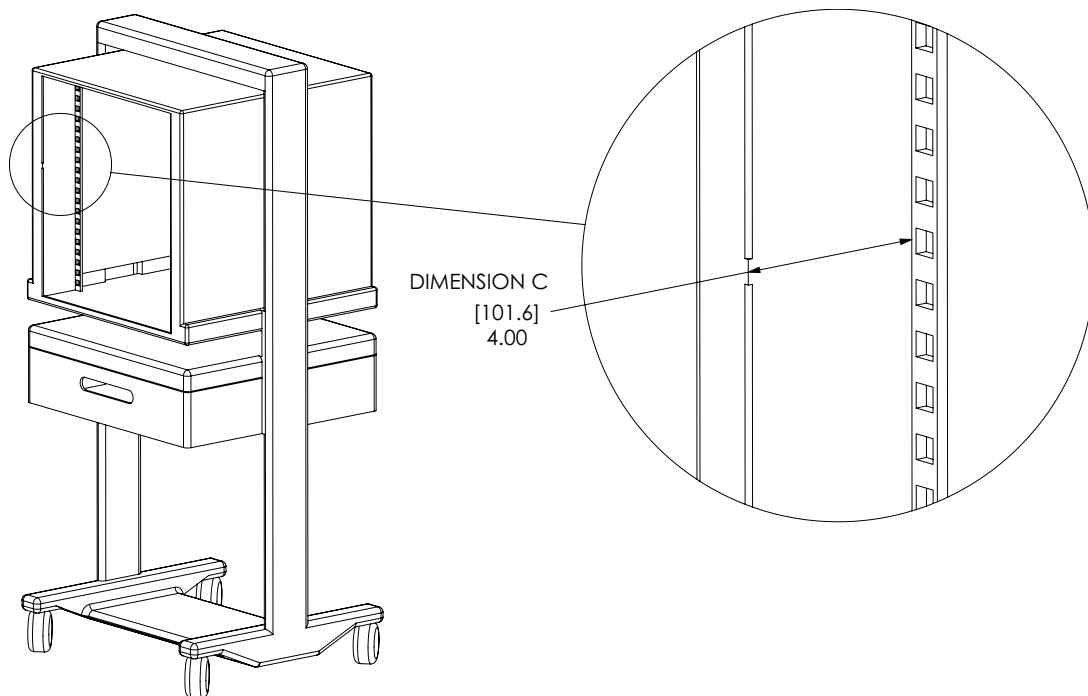
FOR S6: If "C" is greater than 1" [25.4 mm] – use Part # 310 113 430
(Maximum depth of 5" [127 mm])

FOR G12: If "C" is greater than 1" [25.4 mm] – use Part # 310 113 406
(Maximum depth of 2.5" [63.5 mm])

If "C" is greater than 2.5" [63.5 mm] – use Part # 310 113 548

FOR G12x: If "C" is greater than 1" [25.4 mm] – use Part # 310 113 519
(Maximum depth of 2.5" [63.5 mm])

FOR 9025TR: If "C" is greater than 1" [25.4 mm] – use Part # 310 113 494
(Maximum depth of 2.5" [63.5 mm])



*Dimension shown is for illustration purposes only.