



ASSEMBLY, INSTALLATION, AND REMOVAL OF CONTACTS AND MODULES

FOR MINI PNEUMATIC CONTACTS AND MODULES

INDEX ([CLICK TO NAVIGATE TO PAGE](#))

PAGE

1 [RECEIVER CONTACT INSTALLATION & REMOVAL](#)

2 [ITA CONTACT INSTALLATION & REMOVAL](#)

3 [90 SERIES MODULE INSTALLATION & REMOVAL](#)

4 [ICON MODULE INSTALLATION & REMOVAL](#)

5 [CONTACT PERFORMANCE SPECIFICATIONS](#)

6 [CROSS REFERENCE TABLES](#)

*Please note that any printed or downloaded User Manuals may not reflect the most current revisions.
The information contained in these materials is subject to change.
For the most current information available, visit vpc.com.*

RECEIVER CONTACT INSTALLATION AND REMOVAL

PART # 610131108 / 910112104

TOOLS REQUIRED

.050 Hex Wrench (for Mini Coax modules)
 Flat Blade Screwdriver (for Mini Power hybrid modules)
 Phillips Head Screwdriver (for iCon modules)
 In-lbs Torque Wrench

CONTACT INSTALLATION INSTRUCTIONS

NOTE: This contact is for $1/8$ " ID [4 mm] hose.

1. Slide hose onto contact, making sure that all barbs are covered by the hose (**Figure A**).

2. Insert contact into the module.

NOTE: Adjacent position loading may be limited by tubing with a wall thickness greater than $1/32$ " [0.8 mm].

CONTACT REMOVAL INSTRUCTIONS

1. Remove the module from the receiver frame.

NOTE: For more information concerning the process of removing the module from the receiver frame, see page 3 of this User Manual.

NOTE: Some Mini Pneumatic receiver modules are one piece modules. If your module does not have two screws holding the module together, skip to step 4.

2. Use the appropriate tool to remove the screws located at the top and bottom of the module.
3. Grasp the module halves and apply force in opposite directions, rocking the ends of the module while slightly pulling the top of the module away from the mating bottom section, until separated. Be sure to open both sides of the module simultaneously or contacts could be damaged.
4. Place the Mini Power, Mini Coax, Mini Pneumatic Receiver and ITA Contact Extraction Tool, Part # 910112104 (**Figure B**), over the contact to be removed/replaced. Use care to keep the tool perpendicular to the surface of the module, otherwise the tool or contact could be bent.
5. Once the extraction tool is seated and the retaining tabs on the contact are compressed, push the tool into the module. The contact will be pushed out of the rear of the module (**Figure C**).

DO NOT DEPRESS THE PLUNGER ON THE BACK OF THE EXTRACTION TOOL UNTIL THE TIP OF THE EXTRACTION TOOL HAS FULLY SEATED INTO THE MODULE AND COMPRESSED THE RETAINING RING TABS ON THE CONTACT.



6. Replace the module cap using both hands to push the separated halves together. Replace and tighten the module retaining screws to a maximum torque of 2 in-lbs [0.23 Nm].

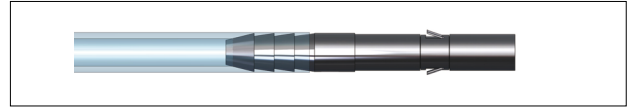


Figure A. Slide hose onto contact.

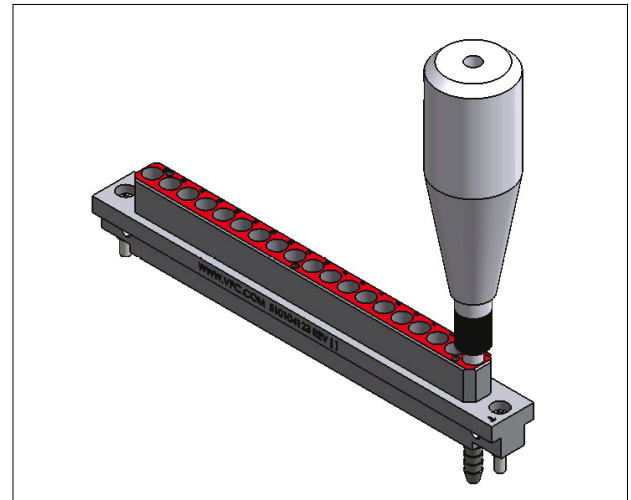


Figure B. Extraction Tool, Part # 910112104.

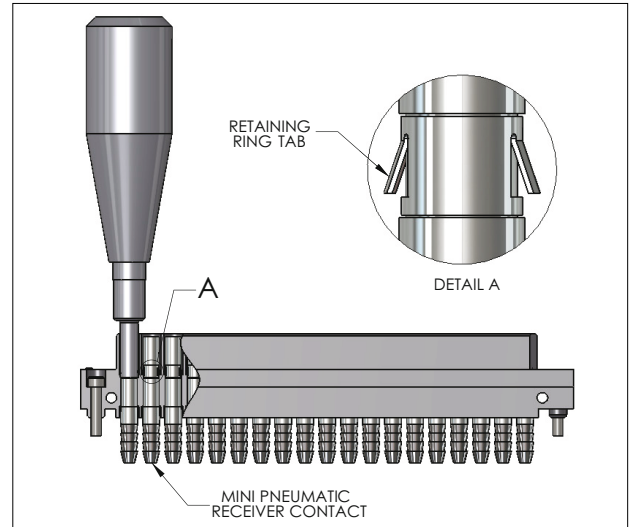


Figure C. Fully seat the extraction tool before pressing down.

NOTE: The process shown here uses standard/90 series modules. The same process is used for modules from other series.

NOTE: If you are using a hybrid module, you may need to reference the User Manual for the other contact type and its respective extraction instructions.

[RETURN TO INDEX](#)

ITA CONTACT INSTALLATION AND REMOVAL

PART # 610132106 / 910112104

CONTACT INSTALLATION INSTRUCTIONS

NOTE: This contact is for $1/8$ " ID [4 mm] hose.

1. Slide hose onto contact, making sure that all barbs are covered by the hose (**Figure A**).
2. Insert contact into the module.
NOTE: Adjacent position loading may be limited by tubing with a wall thickness greater than $1/32$ " [0.8 mm].

CONTACT REMOVAL INSTRUCTIONS

1. Remove the module from the ITA frame.
NOTE: For more information concerning the process of removing the module from the ITA frame, see module installation and removal instructions in Section 2 of this User Manual.
2. Place the Mini Power, Mini Coax, Mini Pneumatic Receiver and ITA Contact Extraction Tool, Part # 910112104 (**Figure B**) over the contact to be removed/replaced. Use care to keep the tool perpendicular to the surface of the module as not to bend the tool or the contact to be removed. Rotate the tool slightly while pushing it into the counter bore on the mating side of the module.
3. Once the extraction tool is seated properly and the retaining ring tabs on the contact are compressed, push the tool into the module. The contact will be pushed out of the rear of the module (**Figure C**).

DO NOT DEPRESS THE PLUNGER ON THE BACK OF THE EXTRACTION TOOL UNTIL THE TIP OF THE EXTRACTION TOOL HAS FULLY SEATED INTO THE MODULE AND COMPRESSED THE RETAINING RING TABS ON THE CONTACT.



NOTE: The process shown here uses standard/90 series modules. The same process is used for modules from other series.

NOTE: If you are using a hybrid module, you may need to reference the User Manual for the other contact type for extraction instructions.

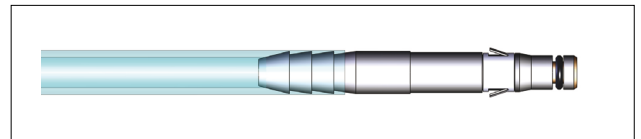


Figure A. Slide hose onto contact.

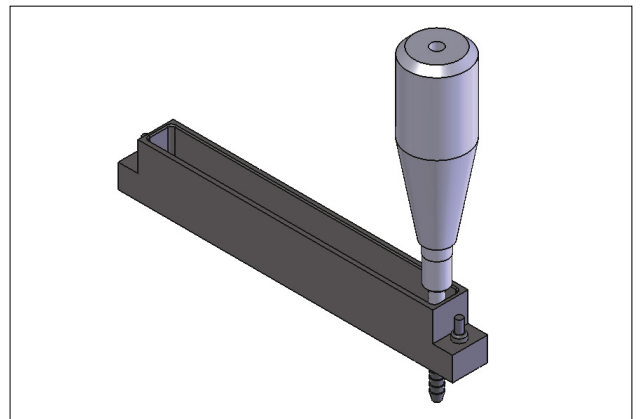


Figure B. Extraction Tool, Part # 910112104.

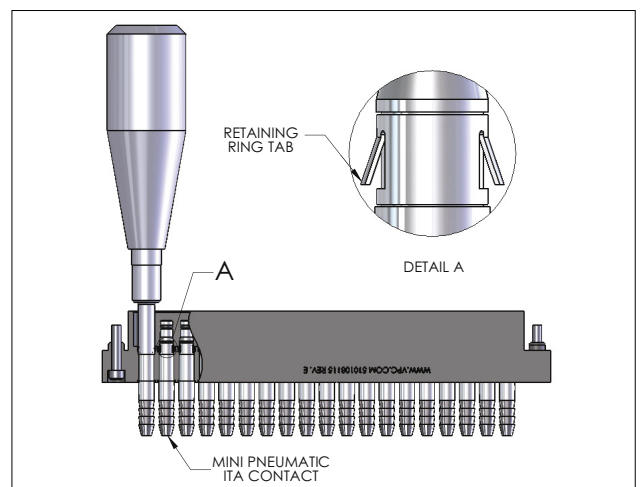


Figure C. Fully seat the extraction tool before pressing down.

90 SERIES MODULE INSTALLATION AND REMOVAL

RECEIVER PART # 510104120/ 510104123/ 510104150/ 510104206/ 510104243

ITA PART # 510108111/ 510108115/ 510108132/ 510108178/ 510108210

TOOLS REQUIRED

$\frac{3}{32}$ Allen Wrench
In-lbs Torque Wrench

INSTALLATION INSTRUCTIONS

1. Place the module in the receiver or ITA until the upper and lower module screws touch the mating holes in the inner frame. Ensure that Position 1 is located at the top for systems in which the modules are oriented vertically or to the left for systems in which the modules are oriented horizontally.
2. Using a $\frac{3}{32}$ Allen wrench, tighten the top screw 1 to 2 full revolutions, while pushing lightly against the face of the module.
3. Maintain this pressure while tightening the bottom screw 1 to 2 full revolutions.
4. Repeat this sequence until the module is seated. Torque the screw to 4 in-lbs [0.45 Nm].

REMOVAL INSTRUCTIONS

1. To remove, loosen the top screw 1 to 2 full revolutions. Loosen bottom screw 1 to 2 full revolutions.
2. Repeat this sequence until the module is separated from the receiver or ITA.

NOTE: For optimum performance and system longevity, distribute the contact load evenly throughout the module.



Figure A. Receiver Module.

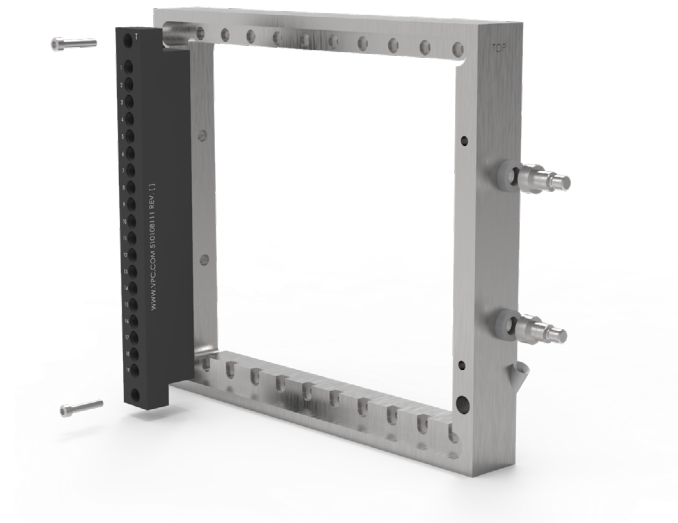


Figure B. ITA Module.

ICON MODULE INSTALLATION AND REMOVAL

RECEIVER PART # 510160102/ 510160103/ 510160104

ITA PART # 510161102/ 510161103/ 510161104

TOOLS REQUIRED

Phillips Head Screwdriver

INSTALLATION INSTRUCTIONS

NOTE: The receiver strain relief plate or the ITA cover may need to be removed prior to installing or removing an iCon module. Please refer to the appropriate User Manual for instructions on how to perform these steps.

1. Place the module in the receiver or ITA until the upper and lower module screws touch the mating holes in the inner frame. Install modules such that Position 1 is located at the top of the ITA/receiver frame.
2. Using a Phillips head screwdriver, tighten the top screw 1 to 2 full revolutions, while pushing lightly against the face of the module.
3. Maintain this pressure while tightening the bottom screw 1 to 2 full revolutions.
4. Repeat this sequence until the module is seated. Torque the screw to 1.5 in-lbs [0.16 Nm].

REMOVAL INSTRUCTIONS

1. To remove, loosen the top screw 1 to 2 full revolutions. Loosen bottom screw 1 to 2 full revolutions.
2. Repeat this sequence until the module is separated from the receiver or ITA.

NOTE: For optimum performance and system longevity, distribute the contact load evenly throughout the module.

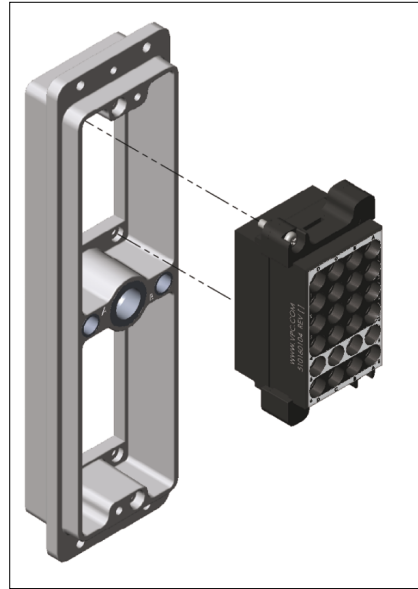


Figure A. Receiver Module.

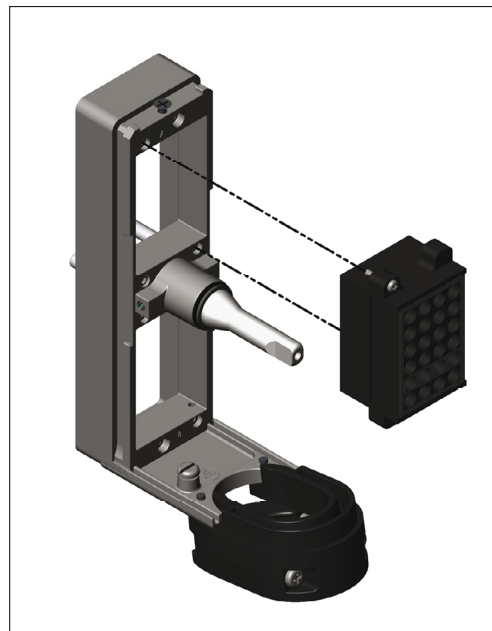
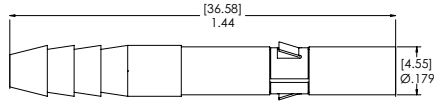
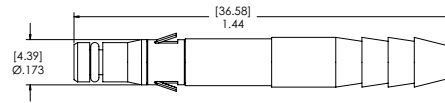


Figure B. ITA Module.

CONTACT PERFORMANCE SPECIFICATIONS



Receiver Contact
Part # 610131108



ITA Contact
Part # 610132106

Dimensions shown: [millimeters]
inches

Contact Specifications

PRESSURE/VACUUM RATED	100 psi (6.9 bar)
------------------------------	-------------------

Mechanical Characteristics

CYCLE LIFE	20,000
-------------------	--------

Material

CONTACT BODY	Nickel-Plated Brass
---------------------	---------------------

CROSS REFERENCE TABLES

RECEIVER CONTACTS	STANDARD/ 90 SERIES RECEIVER MODULES					ICON RECEIVER MODULES			EXTRACTION
	510104120	510104123	510104150	510104206	510104243	510160102	510160103	510160104	910112104
610131108	X	X	X	X	X	X	X	X	X
610131111	X	X	X	X	X	X	X	X	X
610131112	X	X	X	X	X	X	X	X	X

ITA CONTACTS	STANDARD/90 SERIES ITA MODULES					ICON MODULES			EXTRACTION	REPLACEMENT O-RING KIT MINI
	510108111	510108115	510108132	510108178	510108210	510161102	510161103	510161104	910112104	610132109
610132106	X	X	X	X	X	X	X	X	X	X
610132110	X	X	X	X	X	X	X	X	X	X
610132111	X	X	X	X	X	X	X	X	X	X
610132112	X	X	X	X	X	X	X	X	X	X