



ASSEMBLY, INSTALLATION, AND REMOVAL OF CONTACTS AND MODULES

FOR POWER CONTACTS AND MODULES

INDEX ([CLICK TO NAVIGATE TO PAGE](#))

RECEIVER CONTACTS

1 [CONTACT ASSEMBLY INSTRUCTIONS](#)

2 [CONTACT INSTALLATION AND REMOVAL INSTRUCTIONS](#)

ITA CONTACTS

3 [CONTACT ASSEMBLY INSTRUCTIONS](#)

4 [CONTACT INSTALLATION AND REMOVAL INSTRUCTIONS](#)

MODULES & SPECIFICATIONS

5 [90 SERIES MODULE INSTALLATION & REMOVAL INSTRUCTIONS](#)

6 [PERFORMANCE SPECIFICATIONS](#)

7 [CROSS REFERENCE TABLES](#)

Please note that any printed or downloaded User Manuals may not reflect the most current revisions. The information contained in these materials is subject to change. For the most current information available, visit vpc.com.

RECEIVER CONTACT ASSEMBLY

PART # 610116101 / 610116120



Dimensions shown: [millimeters]
inches

ASSEMBLY INSTRUCTIONS

1. Strip wire (**Figure A**).
2. Slide a piece of 0.125" [3.175 mm] diameter shrink tubing 1.0" [25.4 mm] long onto wire.
3. Solder contact to wire (**Figure B**). VPC solders per IPC'S J-STD-001.
NOTE: Make sure the heat from the solder does not shrink the tubing.
4. Slide the piece of shrink tubing over the soldered end, up to the inspection hole; make sure that the inspection hole is not covered (**Figure C**).
5. Shrink the tubing.

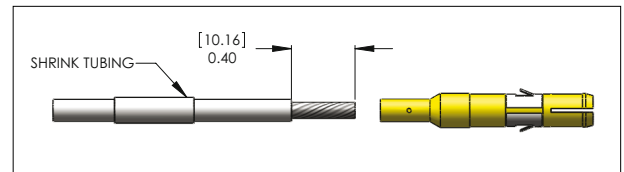


Figure A. Strip length.

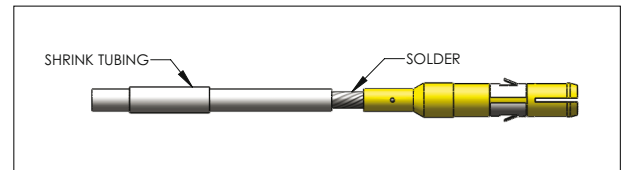


Figure B. Solder, taking care not to shrink the tubing.

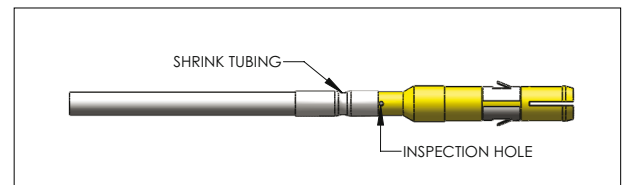


Figure C. Ensure inspection hole is not covered.

Max Wire Gauges

Contact	Max Wire Gauge
610116101	12 AWG
610116120	8 AWG

RECEIVER CONTACT INSTALLATION AND REMOVAL

PART # 610116101 / 610116120 / 910112101

CONTACT INSTALLATION INSTRUCTIONS

1. Assemble the contact to the respective wire.
NOTE: For more information concerning the contact assembly process please see contact assembly instructions in this User's Manual.
2. Insert the assembled contact into the back of the module, until the retaining ring snaps into place. Once in place, pull the wire slightly to ensure the contact is seated.

CONTACT REMOVAL INSTRUCTIONS

1. Remove the module from the receiver frame.
NOTE: For more information concerning the process of removing the module from the receiver frame, see module installation and removal instructions in this User's Manual.
2. Place the Coax/Power Receiver Extraction Tool, part # 910112101 (**Figure A**), over the contact to be removed/ replaced. Use care to keep the tool perpendicular to the surface of the module, otherwise the tool or contact could be bent. Rotate the tool slightly while pushing it into the counter bore on the mating side of the module.
3. Once the extraction tool is seated and the retaining ring tabs on the contact are compressed, push the tool into the module (**Figure B**). The contact will be pushed out of the rear of the module.

DO NOT DEPRESS THE PLUNGER ON THE BACK OF THE EXTRACTION TOOL UNTIL THE TIP OF THE EXTRACTION TOOL HAS FULLY SEATED INTO THE MODULE AND COMPRESSED THE RETAINING RING TABS ON THE CONTACT.

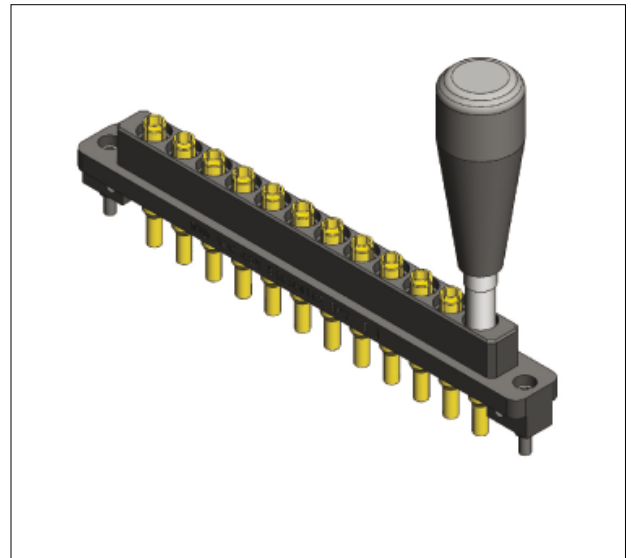


Figure A. Coax/Power Receiver Extraction Tool, Part # 910112101.

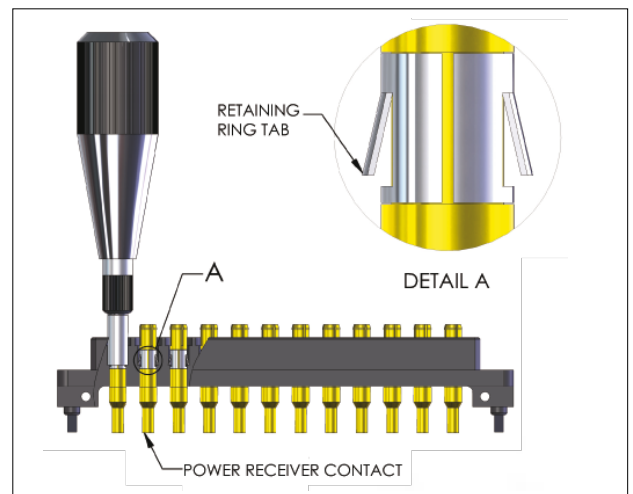
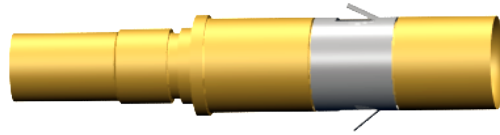


Figure B. Fully seat the tool before pressing down.

ITA CONTACT ASSEMBLY

PART # 610115102 / 610115103 / 610115118



Dimensions shown: [millimeters]
inches

ASSEMBLY INSTRUCTIONS

1. Strip wire (**Figure A**).
2. Slide a piece of 0.125" [3.175 mm] diameter shrink tubing 1.0" [25.4 mm] long onto wire.
3. Solder contact to wire (**Figure B**). VPC solders per IPC'S J-STD-001.
NOTE: Make sure the heat from the solder does not shrink the tubing.
4. Slide the piece of shrink tubing over the soldered end, up to the inspection hole; make sure that the inspection hole is not covered (**Figure C**).
5. Shrink the tubing.

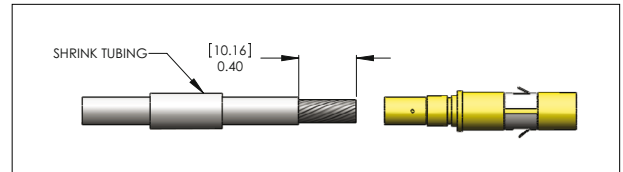


Figure A. Strip length.

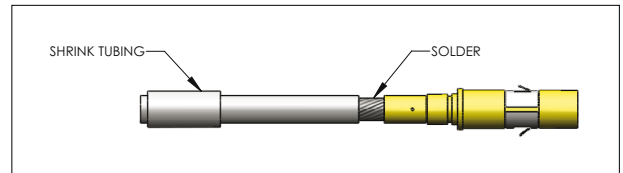


Figure B. Solder, taking care not to shrink the tubing.

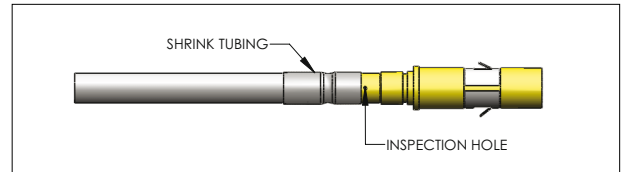


Figure C. Ensure inspection hole is not covered.

Max Wire Gauges

Contact	Max Wire Gauge
610115102	10 AWG
610115103	12 AWG
610115118	8 AWG

ITA CONTACT INSTALLATION AND REMOVAL

PART # 610115102 / 610115103 / 610115118 / 910112105

CONTACT INSTALLATION INSTRUCTIONS

1. Assemble the contact to the respective wire.
NOTE: For more information concerning the contact assembly process please see contact assembly instructions in this User's Manual.
2. Insert the assembled contact into the back of the module, until the retaining ring snaps into place. Once in place, pull the wire slightly to ensure the contact is seated.

CONTACT REMOVAL INSTRUCTIONS

1. Remove the module from the ITA frame.
NOTE: For more information concerning the process of removing the module from the ITA frame, see module installation and removal instructions in this User's Manual.
2. Place the Coax/Power ITA Extraction Tool, part # 910112105 (**Figure A**), over the contact to be removed/ replaced. Use care to keep the tool perpendicular to the surface of the module as not to bend the tool or the contact to be removed. Rotate the tool slightly while pushing it into the counter bore on the mating side of the module.
3. Once the extraction tool is seated properly and the retaining ring tabs on the contact are compressed, push the tool into the module (**Figure B**). The contact will be pushed out of the rear of the module.

DO NOT DEPRESS THE PLUNGER ON THE BACK OF THE EXTRACTION TOOL UNTIL THE TIP OF THE EXTRACTION TOOL HAS FULLY SEATED INTO THE MODULE AND COMPRESSED THE RETAINING RING TABS ON THE CONTACT.

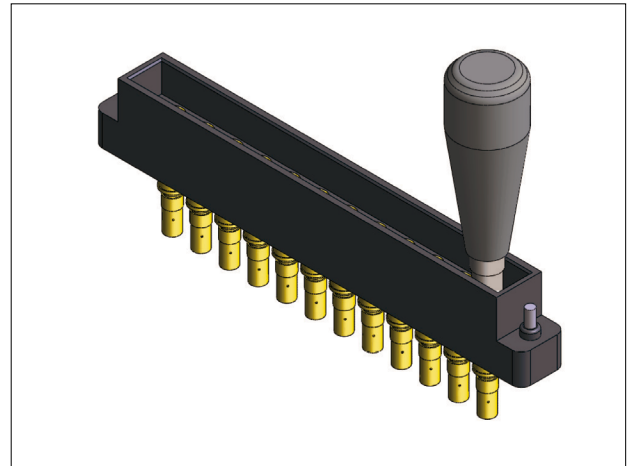


Figure A. Coax/Power ITA Extraction Tool, Part # 910112105.

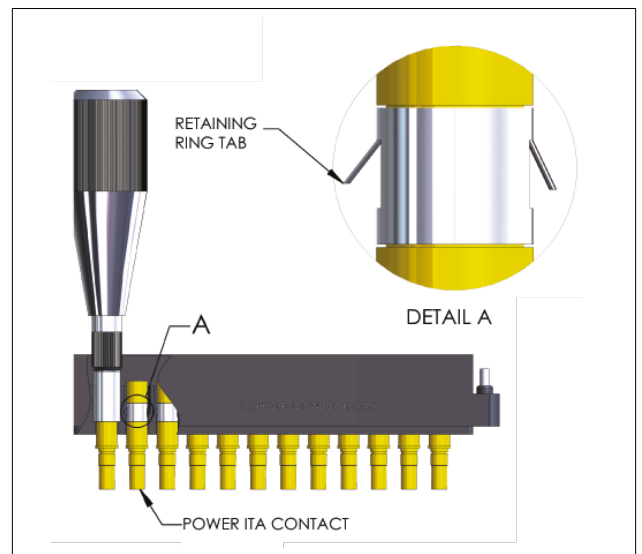


Figure B. Fully seat the tool before pressing down.

90 SERIES MODULE INSTALLATION AND REMOVAL

RECEIVER PART # 510104102

ITA PART # 510108102

TOOLS REQUIRED

$\frac{3}{32}$ Allen Wrench

INSTALLATION INSTRUCTIONS

1. Place the module in the receiver or ITA until the upper and lower module screws touch the mating holes in the inner frame. Ensure that Position 1 is located at the top for systems in which the modules are oriented vertically or to the left for systems in which the modules are oriented horizontally.
2. Using a $\frac{3}{32}$ Allen wrench, tighten the top screw 1 to 2 full revolutions, while pushing lightly against the face of the module.
3. Maintain this pressure while tightening the bottom screw 1 to 2 full revolutions.
4. Repeat this sequence until the module is seated. Torque the screw to 4 in-lbs [0.45 Nm].

REMOVAL INSTRUCTIONS

1. To remove, loosen the top screw 1 to 2 full revolutions. Loosen bottom screw 1 to 2 full revolutions.
2. Repeat this sequence until the module is separated from the receiver or ITA.

NOTE: For optimum performance and system longevity, distribute the contact load evenly throughout the module.



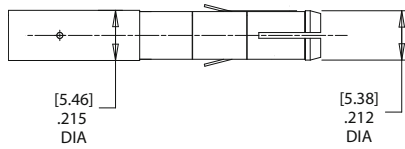
Figure A. Receiver Module.



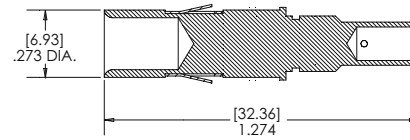
Figure B. ITA Module.

[RETURN TO INDEX](#)

CONTACT PERFORMANCE SPECIFICATIONS



Receiver Contact
Part # 610116120



ITA Contact
Part # 610115102

Dimensions shown: [millimeters]
inches

Electrical Specifications

CONTACT RESISTANCE	Rated at 30 Amps for 5 minutes with a minimum drop of 4 Milliohms to a maximum drop of 10 Milliohms
OPERATING VOLTAGE & CURRENT	480 V AC, 30 Amps

Mechanical Characteristics

CYCLE LIFE	20,000
MATING FORCE	2 lbs max. [0.91 kg]
WIRE SIZE	8 AWG Max for 610115118, 610116120 10 AWG Max for 610115102 12 AWG Max for 610115103, 610116101

Material

ITA CONTACT	360 Brass alloy per QQ-B-626 0.000050 Au per MIL-G-45204, Type II, Class 0 over 0.0001 Ni per QQ-N-290
RCVR CONTACT	BeCu C17300 0.000060 Au per MIL-G-45204 over 0.00005 Ni per QQ-N-290
RETAINING RING	BeCu alloy 3325 0.0001 Ni per QQ-N-290

CROSS REFERENCE TABLES

RECEIVER CONTACT	STANDARD/ 90 SERIES RECEIVER MODULE	EXTRACTION TOOL
	510104102	910112101
610116101	X	X
610116120	X	X

ITA CONTACTS	STANDARD/ 90 SERIES ITA MODULE	EXTRACTION TOOL
	510108102	910112105
610115102	X	X
610115103	X	X
610115118	X	X