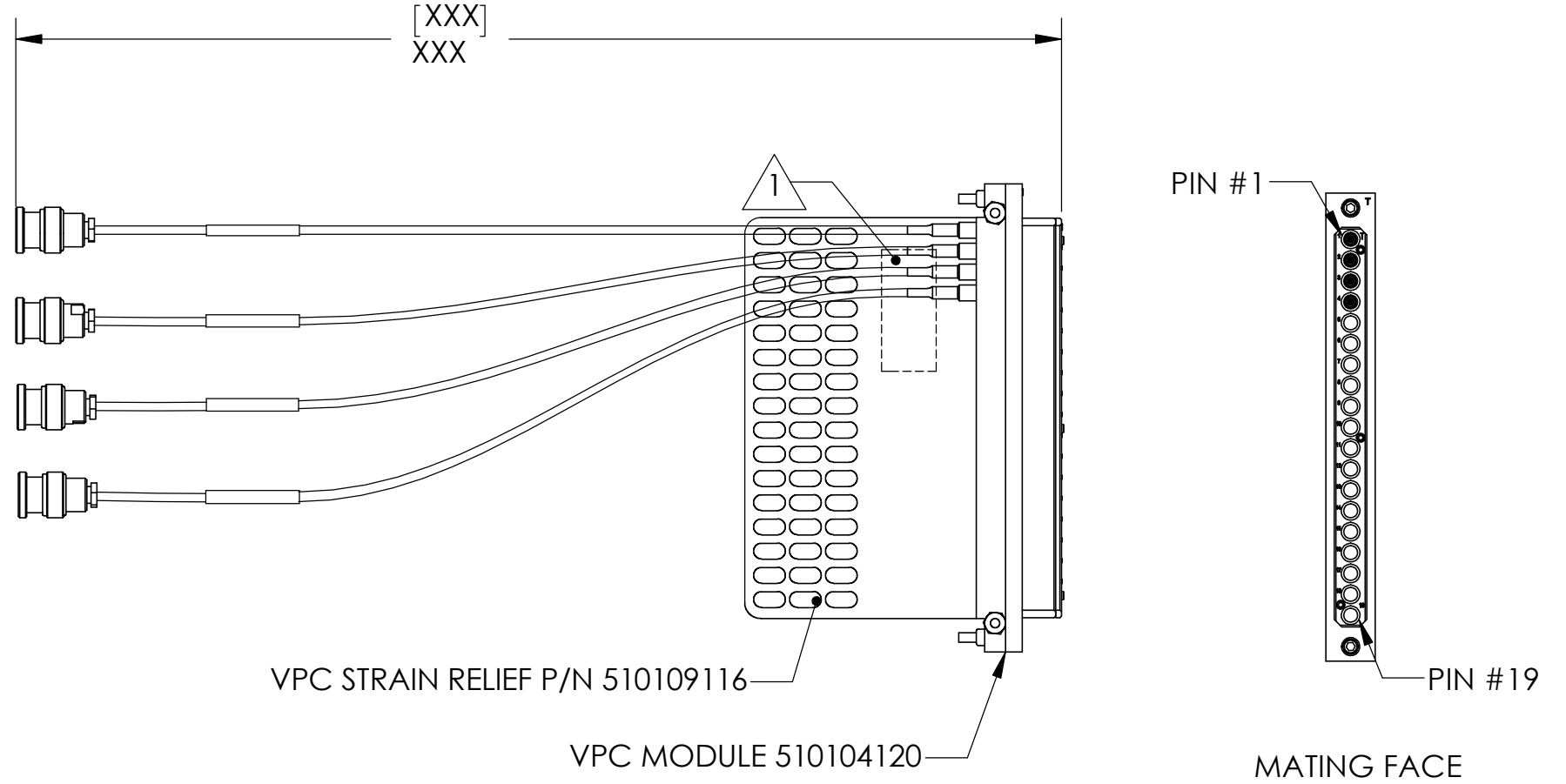


DO NOT SCALE DRAWING

THE INFORMATION CONTAINED HEREIN IS THE EXCLUSIVE PROPERTY OF VIRGINIA PANEL CORPORATION AND IS SUBMITTED FOR USE BY THE CUSTOMER ONLY. THE DATA SHALL NOT BE DUPLICATED, USED, OR DISCLOSED IN WHOLE OR IN PART FOR ANY PURPOSE OTHER THAN TO MAINTAIN THE EQUIPMENT PROVIDED. CONSULT WITH VIRGINIA PANEL CORPORATION ENGINEERING IF MORE DETAIL IS REQUIRED.

REVISIONS			
REV	DESCRIPTION	DATE	ENGR
D	ECN # 4103	6/19/12	L LOCKRIDGE

BNC	VPC MODULE 510104120
BNC #1	PIN 1
BNC #2	PIN 2
BNC #3	PIN 3
BNC #4	PIN 4
OPEN	PIN 5
OPEN	PIN 6
OPEN	PIN 7
OPEN	PIN 8
OPEN	PIN 9
OPEN	PIN 10
OPEN	PIN 11
OPEN	PIN 12
OPEN	PIN 13
OPEN	PIN 14
OPEN	PIN 15
OPEN	PIN 16
OPEN	PIN 17
OPEN	PIN 18
OPEN	PIN 19



MATING ITA MODULE	P/N 510108111, QTY. (1)
MATING ITA PATCHCORDS	P/N 7-331116000-036, QTY. (4)

<b>CUSTOMER DRAWING</b>			
<b>VIRGINIA PANEL CORPORATION</b> WWW.VPC.COM			
CBA, RCV, MINI COAX TO 4 x BNC			
DIMENSIONS ARE SHOWN AS:	SIZE	CAGE CODE	DWG.NO.
[MILLIMETERS] INCHES	B	18117	<b>540064010X07</b>
SCALE: NONE		54006401010710/19/04	SHEET 1 OF 1

4

3

2

1

D

D

C

C

B

B

A

A

4

3

2

1