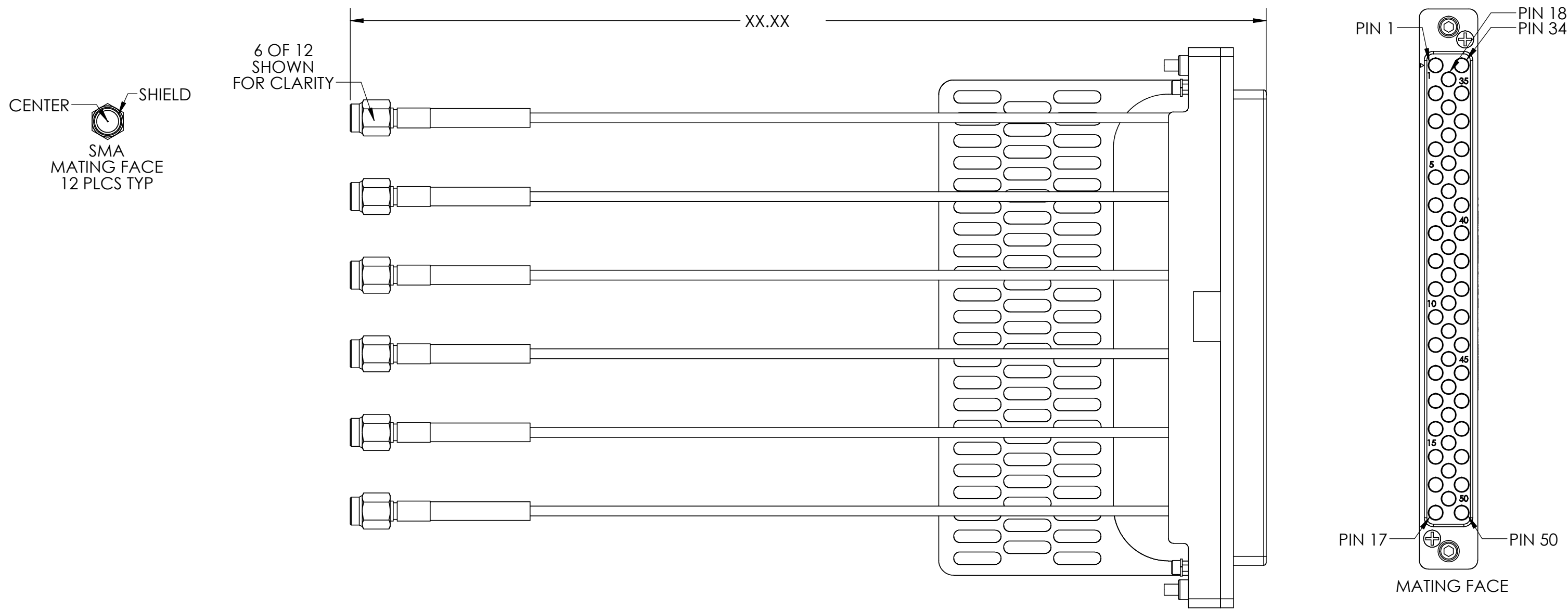


DO NOT SCALE DRAWING

THE INFORMATION CONTAINED HEREIN IS THE EXCLUSIVE PROPERTY OF VIRGINIA PANEL CORPORATION AND IS SUBMITTED FOR USE BY THE CUSTOMER ONLY. THE DATA SHALL NOT BE DUPLICATED, USED, OR DISCLOSED IN WHOLE OR IN PART FOR ANY PURPOSE OTHER THAN TO MAINTAIN THE EQUIPMENT PROVIDED. CONSULT WITH VIRGINIA PANEL CORPORATION ENGINEERING IF MORE DETAIL IS REQUIRED.

REV	DESCRIPTION	DATE	ENGINEER
A	ORIGINAL RELEASE ECN #ECN 9747	11/26/19	S MULLINS



MATING ITA MODULE: 510108262 (1)
MATING ITA PATCHCORD: 7-361116000-036 (12)

VPC P/N 540099010X47 WHERE X =	LENGTH XX.XX"
1	20.00" [508]
2	36.00" [914]
6	48.00" [1219]
9	60.00" [1524]
5	72.00" [1829]

RELATIVE CONNECTOR POSITIONS AND WIRE ROUTING ARE GENERIC AND MAY VARY WITH PINOUT

DIMENSIONS ARE SHOWN AS:
[MILLIMETERS]
INCHES

CUSTOMER DRAWING			
CBA, RCV, MICRO COAX TO 12 SMA ML			
DWG.NO.	540099010X47		REV A
SIZE B	SCALE NONE	CAGE CODE 18117	SHEET 1 OF 2

540099010X47 WL REV A

Run #	From Location (Conn - Pin)	Contact	Signal Desc	Wire AWG	Wire/Patchcord P/N	Wire Color	To Location (Conn - Pin)	Contact	Notes
1	P1-1-CC	610140101	-	RG316	7-362116525-XXX	TAN	FLYING LEAD	008560	
	P1-1-S		-						
2	P1-2-CC	610140101	-	RG316	7-362116525-XXX	TAN	FLYING LEAD	008560	
	P1-2-S		-						
3	P1-3-CC	610140101	-	RG316	7-362116525-XXX	TAN	FLYING LEAD	008560	
	P1-3-S		-						
4	P1-4-CC	610140101	-	RG316	7-362116525-XXX	TAN	FLYING LEAD	008560	
	P1-4-S		-						
5	P1-5-CC	610140101	-	RG316	7-362116525-XXX	TAN	FLYING LEAD	008560	
	P1-5-S		-						
6	P1-6-CC	610140101	-	RG316	7-362116525-XXX	TAN	FLYING LEAD	008560	
	P1-6-S		-						
7	P1-7-CC	610140101	-	RG316	7-362116525-XXX	TAN	FLYING LEAD	008560	
	P1-7-S		-						
8	P1-8-CC	610140101	-	RG316	7-362116525-XXX	TAN	FLYING LEAD	008560	
	P1-8-S		-						
9	P1-9-CC	610140101	-	RG316	7-362116525-XXX	TAN	FLYING LEAD	008560	
	P1-9-S		-						
10	P1-10-CC	610140101	-	RG316	7-362116525-XXX	TAN	FLYING LEAD	008560	
	P1-10-S		-						
11	P1-11-CC	610140101	-	RG316	7-362116525-XXX	TAN	FLYING LEAD	008560	
	P1-11-S		-						
12	P1-12-CC	610140101	-	RG316	7-362116525-XXX	TAN	FLYING LEAD	008560	
	P1-12-S		-						