

4

3

2

1

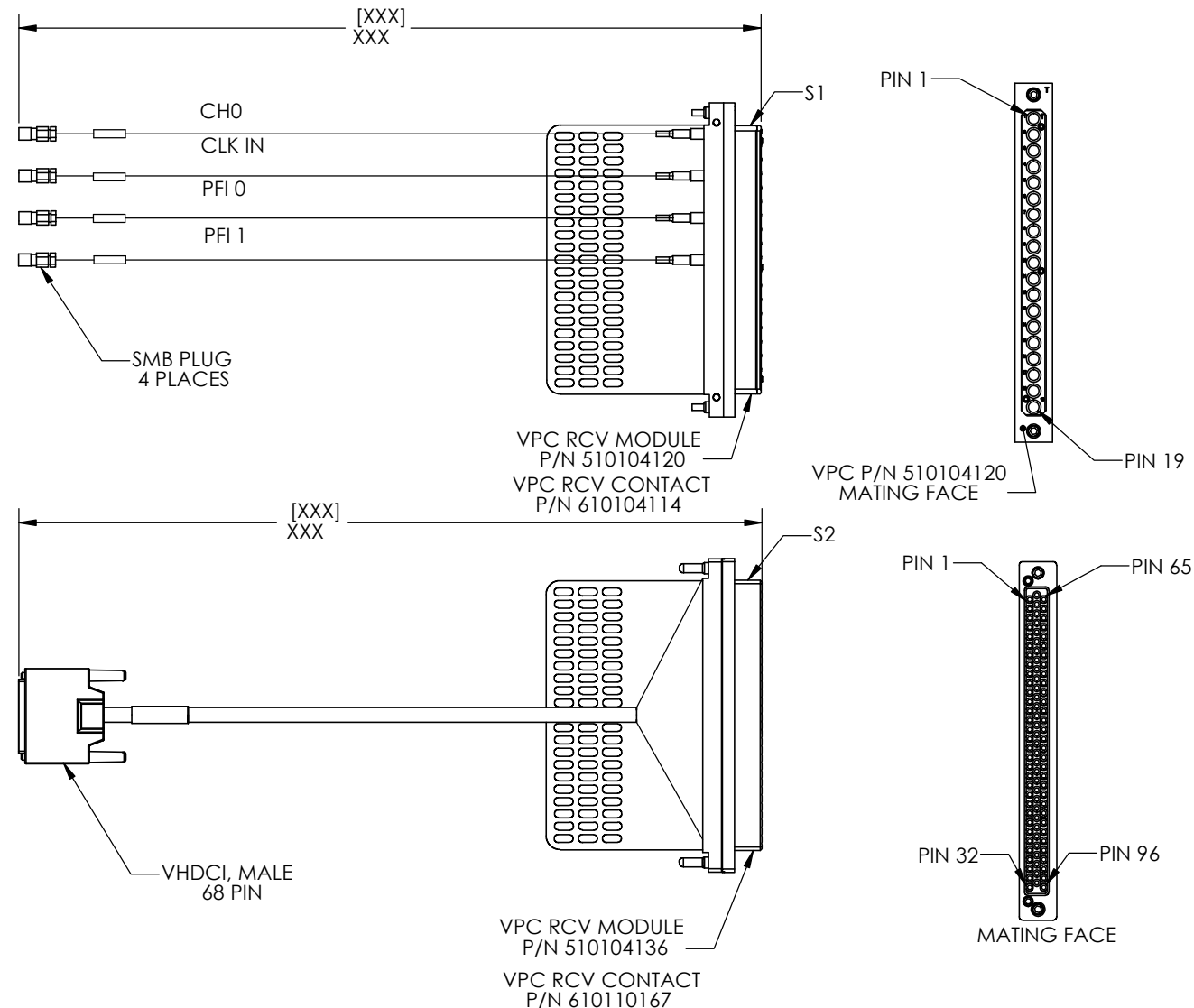
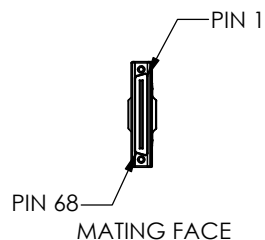
DO NOT SCALE DRAWING

THE INFORMATION CONTAINED HEREIN IS THE EXCLUSIVE PROPERTY OF VIRGINIA PANEL CORPORATION AND IS SUBMITTED FOR USE BY THE CUSTOMER ONLY. THE DATA SHALL NOT BE DUPLICATED, USED, OR DISCLOSED IN WHOLE OR IN PART FOR ANY PURPOSE OTHER THAN TO MAINTAIN THE EQUIPMENT PROVIDED. CONSULT WITH VIRGINIA PANEL CORPORATION ENGINEERING IF MORE DETAIL IS REQUIRED.

| REVISIONS | | | |
|-----------|-------------|--------|------|
| REV | DESCRIPTION | DATE | ENGR |
| C | ECN # 3478 | 8/5/11 | LH |

| 68 PN VHDCI CONNECTOR | VPC MODULE S2 | | 68 PN VHDCI CONNECTOR | VPC MODULE S2 | | 68 PN VHDCI CONNECTOR | VPC MODULE S2 | |
|-----------------------|---------------|-------|-----------------------|---------------|-------|-----------------------|---------------|-------|
| PIN 1 | PIN 1 | } T/P | PIN 33 | PIN 33 | } T/P | PIN 65 | PIN 65 | } T/P |
| PIN 2 | PIN 2 | | PIN 34 | PIN 34 | | PIN 66 | PIN 66 | |
| PIN 3 | PIN 3 | } T/P | PIN 35 | PIN 35 | } T/P | PIN 67 | PIN 67 | } T/P |
| PIN 4 | PIN 4 | | PIN 36 | PIN 36 | | PIN 68 | PIN 68 | |
| PIN 5 | PIN 5 | } T/P | PIN 37 | PIN 37 | } T/P | OPEN | PIN 69 | } T/P |
| PIN 6 | PIN 6 | | PIN 38 | PIN 38 | | OPEN | PIN 70 | |
| PIN 7 | PIN 7 | } T/P | PIN 39 | PIN 39 | } T/P | OPEN | PIN 71 | } T/P |
| PIN 8 | PIN 8 | | PIN 40 | PIN 40 | | OPEN | PIN 72 | |
| PIN 9 | PIN 9 | } T/P | PIN 41 | PIN 41 | } T/P | OPEN | PIN 73 | } T/P |
| PIN 10 | PIN 10 | | PIN 42 | PIN 42 | | OPEN | PIN 74 | |
| PIN 11 | PIN 11 | } T/P | PIN 43 | PIN 43 | } T/P | OPEN | PIN 75 | } T/P |
| PIN 12 | PIN 12 | | PIN 44 | PIN 44 | | OPEN | PIN 76 | |
| PIN 13 | PIN 13 | } T/P | PIN 45 | PIN 45 | } T/P | OPEN | PIN 77 | } T/P |
| PIN 14 | PIN 14 | | PIN 46 | PIN 46 | | OPEN | PIN 78 | |
| PIN 15 | PIN 15 | } T/P | PIN 47 | PIN 47 | } T/P | OPEN | PIN 79 | } T/P |
| PIN 16 | PIN 16 | | PIN 48 | PIN 48 | | OPEN | PIN 80 | |
| PIN 17 | PIN 17 | } T/P | PIN 49 | PIN 49 | } T/P | OPEN | PIN 81 | } T/P |
| PIN 18 | PIN 18 | | PIN 50 | PIN 50 | | OPEN | PIN 82 | |
| PIN 19 | PIN 19 | } T/P | PIN 51 | PIN 51 | } T/P | OPEN | PIN 83 | } T/P |
| PIN 20 | PIN 20 | | PIN 52 | PIN 52 | | OPEN | PIN 84 | |
| PIN 21 | PIN 21 | } T/P | PIN 53 | PIN 53 | } T/P | OPEN | PIN 85 | } T/P |
| PIN 22 | PIN 22 | | PIN 54 | PIN 54 | | OPEN | PIN 86 | |
| PIN 23 | PIN 23 | } T/P | PIN 55 | PIN 55 | } T/P | OPEN | PIN 87 | } T/P |
| PIN 24 | PIN 24 | | PIN 56 | PIN 56 | | OPEN | PIN 88 | |
| PIN 25 | PIN 25 | } T/P | PIN 57 | PIN 57 | } T/P | OPEN | PIN 89 | } T/P |
| PIN 26 | PIN 26 | | PIN 58 | PIN 58 | | OPEN | PIN 90 | |
| PIN 27 | PIN 27 | } T/P | PIN 59 | PIN 59 | } T/P | OPEN | PIN 91 | } T/P |
| PIN 28 | PIN 28 | | PIN 60 | PIN 60 | | OPEN | PIN 92 | |
| PIN 29 | PIN 29 | } T/P | PIN 61 | PIN 61 | } T/P | OPEN | PIN 93 | } T/P |
| PIN 30 | PIN 30 | | PIN 62 | PIN 62 | | OPEN | PIN 94 | |
| PIN 31 | PIN 31 | } T/P | PIN 63 | PIN 63 | } T/P | OPEN | PIN 95 | } T/P |
| PIN 32 | PIN 32 | | PIN 64 | PIN 64 | | OPEN | PIN 96 | |

| SMB | VPC MODULE S1 |
|--------|---------------|
| SMB #1 | PIN 1 |
| SMB #2 | PIN 2 |
| SMB #3 | PIN 3 |
| SMB #4 | PIN 4 |
| OPEN | PIN 5 |
| OPEN | PIN 6 |
| OPEN | PIN 7 |
| OPEN | PIN 8 |
| OPEN | PIN 9 |
| OPEN | PIN 10 |
| OPEN | PIN 11 |
| OPEN | PIN 12 |
| OPEN | PIN 13 |
| OPEN | PIN 14 |
| OPEN | PIN 15 |
| OPEN | PIN 16 |
| OPEN | PIN 17 |
| OPEN | PIN 18 |
| OPEN | PIN 19 |



| | | |
|-------------------|----------------------|---------------------|
| MATING MODULES | 510108111 (1) | 510108126 (1) |
| MATING PATCHCORDS | 7-103924000-036 (68) | 7-331116000-036 (4) |

DIMENSIONS ARE SHOWN AS:
[MILLIMETERS]
INCHES

| CUSTOMER DRAWING | | | |
|--|-----------|----------------------|--------------|
| VPC | | | |
| CBA, RCV, 2 x MOD, MINI COAX TO 4 X SMB & TRIPADDLE TO 68-PIN ML VHDCI | | | |
| SIZE | CAGE CODE | DWG. NO. | REV |
| C | 18117 | 540103010X30 | C |
| SCALE: NONE | | 540103010130 7/15/05 | SHEET 1 OF 1 |

4

3

2

1