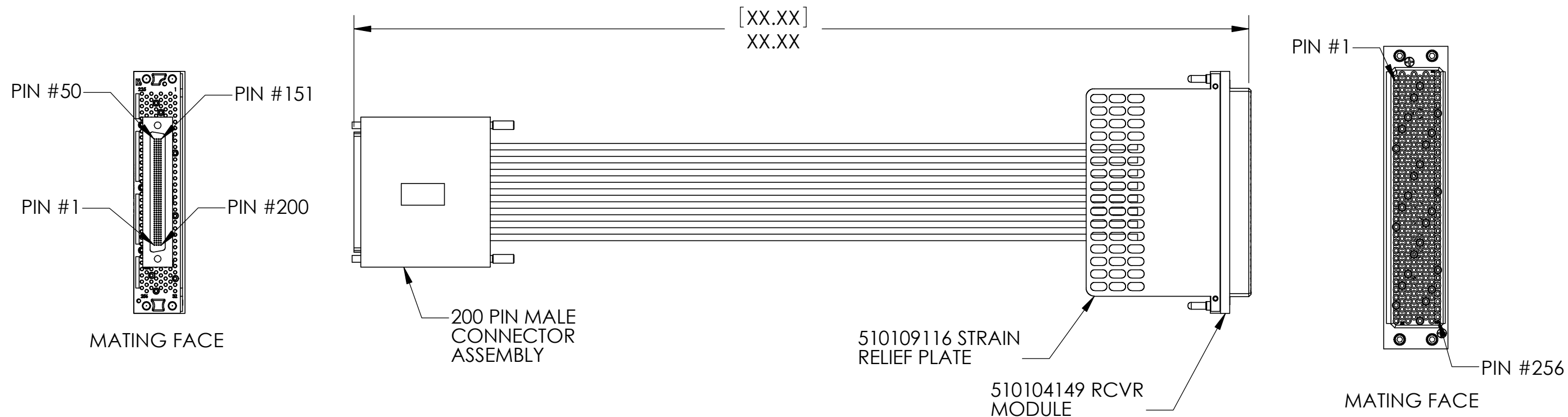


DO NOT SCALE DRAWING

THE INFORMATION CONTAINED HEREIN IS THE EXCLUSIVE PROPERTY OF VIRGINIA PANEL CORPORATION AND IS SUBMITTED FOR USE BY THE CUSTOMER ONLY. THE DATA SHALL NOT BE DUPLICATED, USED, OR DISCLOSED IN WHOLE OR IN PART FOR ANY PURPOSE OTHER THAN TO MAINTAIN THE EQUIPMENT PROVIDED. CONSULT WITH VIRGINIA PANEL CORPORATION ENGINEERING IF MORE DETAIL IS REQUIRED.

REV	DESCRIPTION	DATE	ENGINEER
M	ECN #11973	10/11/2021	S MULLINS



2. MATING MODULE: (1) 510108131
 MATING PATCHCORD: (100) 7-105426000-036

NOTES:

VPC P/N 540105010X05 WHERE X =	LENGTH XX.XX"	CUSTOMER DRAWING	
1	20.00" [508]	 CBA, RCV, TRIPADDLE TO 200-PIN ML LFH M3 SCR	
2	36.00" [914]		
6	48.00" [1219]		
9	60.00" [1524]		
5	72.00" [1829]		
<small>RELATIVE CONNECTOR POSITIONS AND WIRE ROUTING ARE GENERIC AND MAY VARY WITH PINOUT</small>		<small>DWG.NO.</small> 540105010X05	
<small>DIMENSIONS ARE SHOWN AS:</small> [MILLIMETERS] INCHES		<small>REV</small> M	<small>SHEET</small> 1 OF 2
<small>SIZE</small> B	<small>SCALE</small> NONE	<small>CAGE CODE</small> 18117	<small>SHEET</small> 1 OF 2

