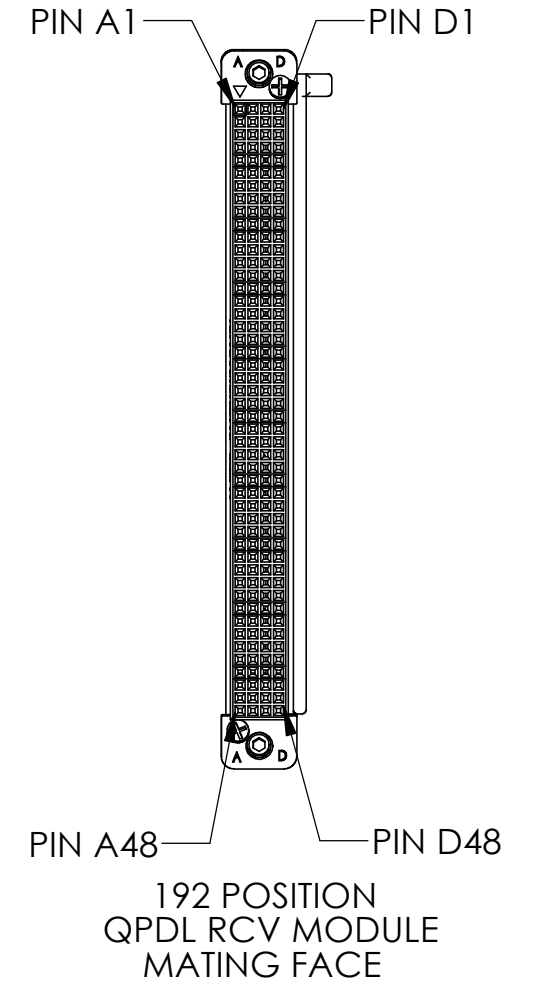
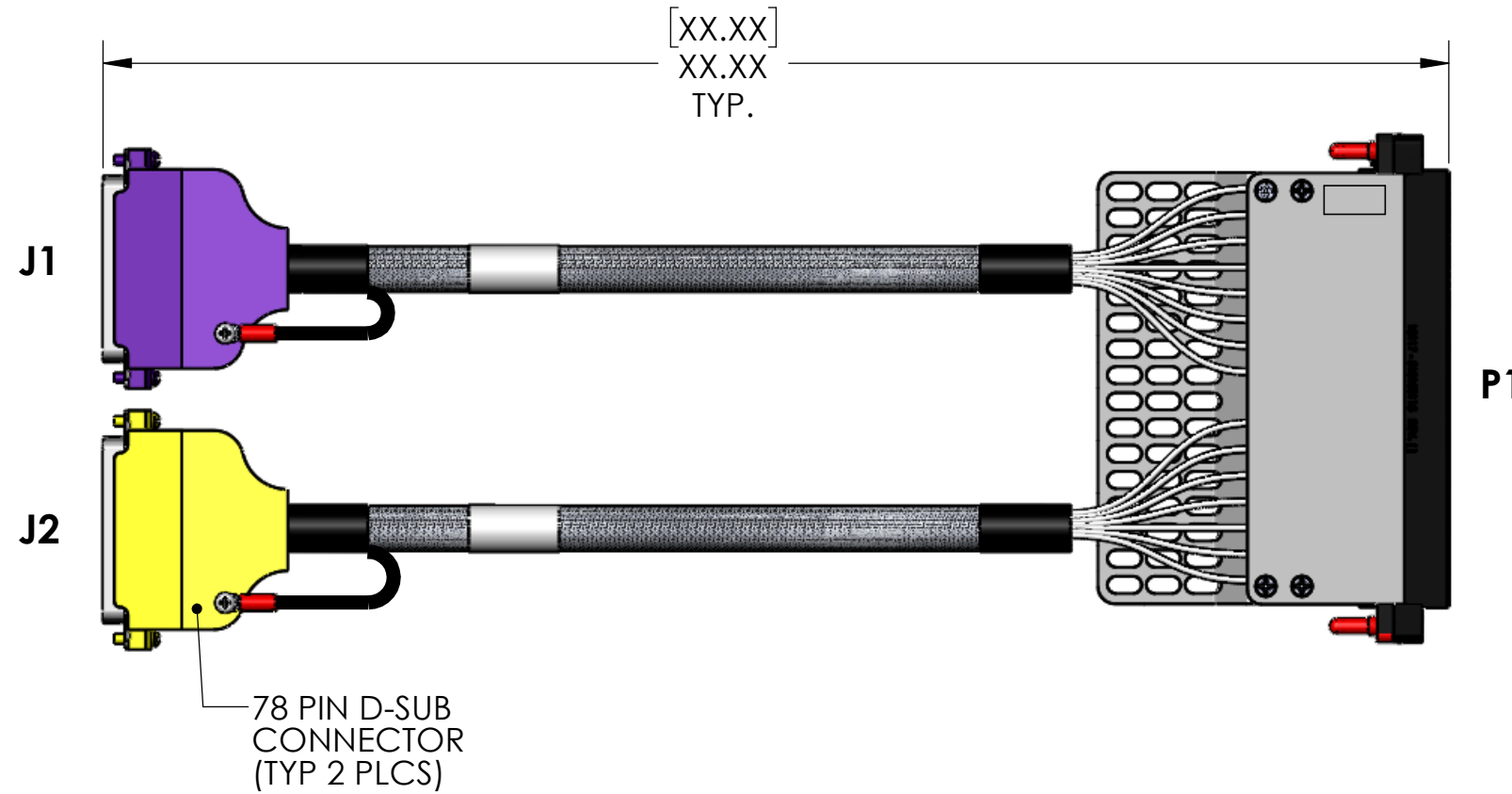
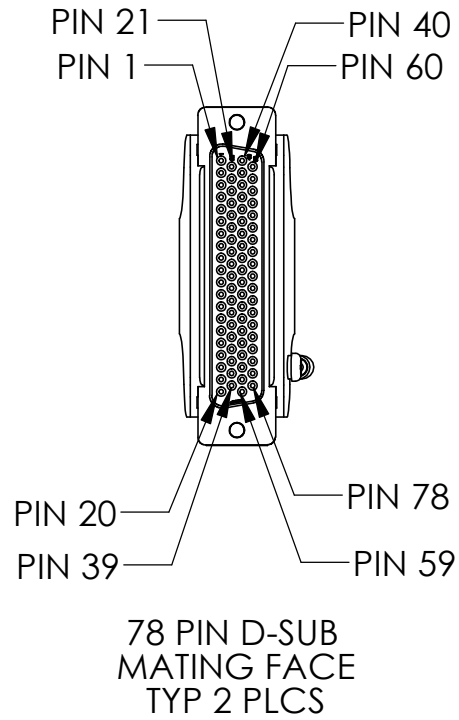


DO NOT SCALE DRAWING

THE INFORMATION CONTAINED HEREIN IS THE EXCLUSIVE PROPERTY OF VIRGINIA PANEL CORPORATION AND IS SUBMITTED FOR USE BY THE CUSTOMER ONLY. THE DATA SHALL NOT BE DUPLICATED, USED, OR DISCLOSED IN WHOLE OR IN PART FOR ANY PURPOSE OTHER THAN TO MAINTAIN THE EQUIPMENT PROVIDED. CONSULT WITH VIRGINIA PANEL CORPORATION ENGINEERING IF MORE DETAIL IS REQUIRED.

REV	DESCRIPTION	DATE	ENGINEER
D	ECN #13629	8/23/23	K JOHNSON



MATING COMPONENTS		QTY
MODULE	510151105	1
PATCHCORD	7-121424000-036	64
PATCHCORD	7-121924000-036	2

1. FOR APPLICATION USE & CARE INFORMATION CONSULT VPC USERS GUIDE @WWW.VPC.COM

NOTES:

VPC P/N 540112050X40 WHERE X =	LENGTH XX.XX"
1	20.00" [508]
2	36.00" [914]
6	48.00" [1219]
9	60.00" [1524]
5	72.00" [1829]

RELATIVE CONNECTOR POSITIONS AND WIRE ROUTING ARE GENERIC AND MAY VARY WITH PINOUT

DIMENSIONS ARE SHOWN AS:
[MILLIMETERS]
INCHES

CUSTOMER DRAWING



CBA Keysight 34939A

DWG.NO. 540112050X40		REV D
SIZE B	SCALE NONE	CAGE CODE 18117
SHEET 1 OF 3		

Run #	From Location (Conn - Pin)	Contact	Wire AWG	Wire/Patchcord P/N	Wire Color	T/P #	To Location (Conn - Pin)	Contact	Notes
1	P1-A1	610138216	24 T/P	7-124424000-XXX	WHT	1	J1-1	960058	
2	P1-A2	610138216	↑	↑	BLK	↑	J1-2	960058	
3	P1-A3	610138216	24 T/P	7-124424000-XXX	WHT	2	J1-3	960058	
4	P1-A4	610138216	↑	↑	BLK	↑	J1-4	960058	
5	P1-A5	610138216	24 T/P	7-124424000-XXX	WHT	3	J1-5	960058	
6	P1-A6	610138216	↑	↑	BLK	↑	J1-6	960058	
7	P1-A7	610138216	24 T/P	7-124424000-XXX	WHT	4	J1-7	960058	
8	P1-A8	610138216	↑	↑	BLK	↑	J1-8	960058	
9	P1-A9	610138216	24 T/P	7-124424000-XXX	WHT	5	J1-9	960058	
10	P1-A10	610138216	↑	↑	BLK	↑	J1-10	960058	
11	P1-A11	610138216	24 T/P	7-124424000-XXX	WHT	6	J1-11	960058	
12	P1-A12	610138216	↑	↑	BLK	↑	J1-12	960058	
13	P1-A13	610138216	24 T/P	7-124424000-XXX	WHT	7	J1-13	960058	
14	P1-A14	610138216	↑	↑	BLK	↑	J1-14	960058	
15	P1-A15	610138216	24 T/P	7-124424000-XXX	WHT	8	J1-15	960058	
16	P1-A16	610138216	↑	↑	BLK	↑	J1-16	960058	
17	P1-A17	610138216	24 T/P	7-124424000-XXX	WHT	9	J1-17	960058	
18	P1-A18	610138216	↑	↑	BLK	↑	J1-18	960058	
19	P1-A19	610138216	24 T/P	7-124424000-XXX	WHT	10	J1-19	960058	
20	P1-A20	610138216	↑	↑	BLK	↑	J1-20	960058	
21	P1-B1	610138216	24 T/P	7-124424000-XXX	WHT	11	J1-21	960058	
22	P1-B2	610138216	↑	↑	BLK	↑	J1-22	960058	
23	P1-B3	610138216	24 T/P	7-124424000-XXX	WHT	12	J1-23	960058	
24	P1-B4	610138216	↑	↑	BLK	↑	J1-24	960058	
25	P1-B5	610138216	24 T/P	7-124424000-XXX	WHT	13	J1-25	960058	
26	P1-B6	610138216	↑	↑	BLK	↑	J1-26	960058	
27	P1-B7	610138216	24 T/P	7-124424000-XXX	WHT	14	J1-27	960058	
28	P1-B8	610138216	↑	↑	BLK	↑	J1-28	960058	
29	P1-B9	610138216	24 T/P	7-124424000-XXX	WHT	15	J1-29	960058	
30	P1-B10	610138216	↑	↑	BLK	↑	J1-30	960058	
31	P1-B11	610138216	24 T/P	7-124424000-XXX	WHT	16	J1-31	960058	
32	P1-B12	610138216	↑	↑	BLK	↑	J1-32	960058	
33	P1-B13	610138216	24 T/P	7-124424000-XXX	WHT	17	J1-33	960058	
34	P1-B14	610138216	↑	↑	BLK	↑	J1-34	960058	
35	P1-B15	610138216	24 T/P	7-124424000-XXX	WHT	18	J1-35	960058	
36	P1-B16	610138216	↑	↑	BLK	↑	J1-36	960058	
37	P1-B17	610138216	24 T/P	7-124424000-XXX	WHT	19	J1-37	960058	
38	P1-B18	610138216	↑	↑	BLK	↑	J1-38	960058	
39	P1-B19	610138216	24 T/P	7-124424000-XXX	WHT	20	J1-41	960058	
40	P1-B20	610138216	↑	↑	BLK	↑	J1-42	960058	
41	P1-C1	610138216	24 T/P	7-124424000-XXX	WHT	21	J1-43	960058	
42	P1-C2	610138216	↑	↑	BLK	↑	J1-44	960058	
43	P1-C3	610138216	24 T/P	7-124424000-XXX	WHT	22	J1-45	960058	
44	P1-C4	610138216	↑	↑	BLK	↑	J1-46	960058	
45	P1-C5	610138216	24 T/P	7-124424000-XXX	WHT	23	J1-47	960058	
46	P1-C6	610138216	↑	↑	BLK	↑	J1-48	960058	
47	P1-C7	610138216	24 T/P	7-124424000-XXX	WHT	24	J1-49	960058	
48	P1-C8	610138216	↑	↑	BLK	↑	J1-50	960058	
49	P1-C9	610138216	24 T/P	7-124424000-XXX	WHT	25	J1-51	960058	
50	P1-C10	610138216	↑	↑	BLK	↑	J1-52	960058	
51	P1-C11	610138216	24 T/P	7-124424000-XXX	WHT	26	J1-53	960058	
52	P1-C12	610138216	↑	↑	BLK	↑	J1-54	960058	
53	P1-C13	610138216	24 T/P	7-124424000-XXX	WHT	27	J1-55	960058	
54	P1-C14	610138216	↑	↑	BLK	↑	J1-56	960058	
55	P1-C15	610138216	24 T/P	7-124424000-XXX	WHT	28	J1-57	960058	
56	P1-C16	610138216	↑	↑	BLK	↑	J1-58	960058	
57	P1-C17	610138216	24 T/P	7-124424000-XXX	WHT	29	J1-61	960058	
58	P1-C18	610138216	↑	↑	BLK	↑	J1-62	960058	
59	P1-C19	610138216	24 T/P	7-124424000-XXX	WHT	30	J1-63	960058	
60	P1-C20	610138216	↑	↑	BLK	↑	J1-64	960058	
61	P1-D11	610138216	24 T/P	7-124424000-XXX	WHT	31	J1-75	960058	
62	P1-D12	610138216	↑	↑	BLK	↑	J1-76	960058	
63	P1-D13	610138216	24 T/P	7-124424000-XXX	WHT	32	J1-77	960058	
64	P1-D14	610138216	↑	↑	BLK	↑	J1-78	960058	
65	P1-D15	610138216	24	021800	WHT	-	J1-68	960058	SPLICE w/ RUN 66
66	↑	↑	24	021800	WHT	-	J1-BACKSHELL	266808	SPLICE w/ RUN 65
67	P1-D16	610138216	24	7-124924000-XXX	WHT	-	J1-69	960058	

Run #	From Location (Conn - Pin)	Contact	Wire AWG	Wire/Patchcord P/N	Wire Color	T/P #	To Location (Conn - Pin)	Contact	Notes
68	P1-A24	610138216	24 T/P	7-124424000-XXX	WHT	33	J2-1	960058	
69	P1-A25	610138216	↑	↑	BLK	↑	J2-2	960058	
70	P1-A26	610138216	24 T/P	7-124424000-XXX	WHT	34	J2-3	960058	
71	P1-A27	610138216	↑	↑	BLK	↑	J2-4	960058	
72	P1-A28	610138216	24 T/P	7-124424000-XXX	WHT	35	J2-5	960058	
73	P1-A29	610138216	↑	↑	BLK	↑	J2-6	960058	
74	P1-A30	610138216	24 T/P	7-124424000-XXX	WHT	36	J2-7	960058	
75	P1-A31	610138216	↑	↑	BLK	↑	J2-8	960058	
76	P1-A32	610138216	24 T/P	7-124424000-XXX	WHT	37	J2-9	960058	
77	P1-A33	610138216	↑	↑	BLK	↑	J2-10	960058	
78	P1-A34	610138216	24 T/P	7-124424000-XXX	WHT	38	J2-11	960058	
79	P1-A35	610138216	↑	↑	BLK	↑	J2-12	960058	
80	P1-A36	610138216	24 T/P	7-124424000-XXX	WHT	39	J2-13	960058	
81	P1-A37	610138216	↑	↑	BLK	↑	J2-14	960058	
82	P1-A38	610138216	24 T/P	7-124424000-XXX	WHT	40	J2-15	960058	
83	P1-A39	610138216	↑	↑	BLK	↑	J2-16	960058	
84	P1-A40	610138216	24 T/P	7-124424000-XXX	WHT	41	J2-17	960058	
85	P1-A41	610138216	↑	↑	BLK	↑	J2-18	960058	
86	P1-A42	610138216	24 T/P	7-124424000-XXX	WHT	42	J2-19	960058	
87	P1-A43	610138216	↑	↑	BLK	↑	J2-20	960058	
88	P1-B24	610138216	24 T/P	7-124424000-XXX	WHT	43	J2-21	960058	
89	P1-B25	610138216	↑	↑	BLK	↑	J2-22	960058	
90	P1-B26	610138216	24 T/P	7-124424000-XXX	WHT	44	J2-23	960058	
91	P1-B27	610138216	↑	↑	BLK	↑	J2-24	960058	
92	P1-B28	610138216	24 T/P	7-124424000-XXX	WHT	45	J2-25	960058	
93	P1-B29	610138216	↑	↑	BLK	↑	J2-26	960058	
94	P1-B30	610138216	24 T/P	7-124424000-XXX	WHT	46	J2-27	960058	
95	P1-B31	610138216	↑	↑	BLK	↑	J2-28	960058	
96	P1-B32	610138216	24 T/P	7-124424000-XXX	WHT	47	J2-29	960058	
97	P1-B33	610138216	↑	↑	BLK	↑	J2-30	960058	
98	P1-B34	610138216	24 T/P	7-124424000-XXX	WHT	48	J2-31	960058	
99	P1-B35	610138216	↑	↑	BLK	↑	J2-32	960058	
100	P1-B36	610138216	24 T/P	7-124424000-XXX	WHT	49	J2-33	960058	
101	P1-B37	610138216	↑	↑	BLK	↑	J2-34	960058	
102	P1-B38	610138216	24 T/P	7-124424000-XXX	WHT	50	J2-35	960058	
103	P1-B39	610138216	↑	↑	BLK	↑	J2-36	960058	
104	P1-B40	610138216	24 T/P	7-124424000-XXX	WHT	51	J2-37	960058	
105	P1-B41	610138216	↑	↑	BLK	↑	J2-38	960058	
106	P1-B42	610138216	24 T/P	7-124424000-XXX	WHT	52	J2-41	960058	
107	P1-B43	610138216	↑	↑	BLK	↑	J2-42	960058	
108	P1-C24	610138216	24 T/P	7-124424000-XXX	WHT	53	J2-43	960058	
109	P1-C25	610138216	↑	↑	BLK	↑	J2-44	960058	
110	P1-C26	610138216	24 T/P	7-124424000-XXX	WHT	54	J2-45	960058	
111	P1-C27	610138216	↑	↑	BLK	↑	J2-46	960058	
112	P1-C28	610138216	24 T/P	7-124424000-XXX	WHT	55	J2-47	960058	
113	P1-C29	610138216	↑	↑	BLK	↑	J2-48	960058	
114	P1-C30	610138216	24 T/P	7-124424000-XXX	WHT	56	J2-49	960058	
115	P1-C31	610138216	↑	↑	BLK	↑	J2-50	960058	
116	P1-C32	610138216	24 T/P	7-124424000-XXX	WHT	57	J2-51	960058	
117	P1-C33	610138216	↑	↑	BLK	↑	J2-52	960058	
118	P1-C34	610138216	24 T/P	7-124424000-XXX	WHT	58	J2-53	960058	
119	P1-C35	610138216	↑	↑	BLK	↑	J2-54	960058	
120	P1-C36	610138216	24 T/P	7-124424000-XXX	WHT	59	J2-55	960058	
121	P1-C37	610138216	↑	↑	BLK	↑	J2-56	960058	
122	P1-C38	610138216	24 T/P	7-124424000-XXX	WHT	60	J2-57	960058	
123	P1-C39	610138216	↑	↑	BLK	↑	J2-58	960058	
124	P1-C40	610138216	24 T/P	7-124424000-XXX	WHT	61	J2-61	960058	
125	P1-C41	610138216	↑	↑	BLK	↑	J2-62	960058	
126	P1-C42	610138216	24 T/P	7-124424000-XXX	WHT	62	J2-63	960058	
127	P1-C43	610138216	↑	↑	BLK	↑	J2-64	960058	
128	P1-D34	610138216	24 T/P	7-124424000-XXX	WHT	63	J2-75	960058	
129	P1-D35	610138216	↑	↑	BLK	↑	J2-76	960058	
130	P1-D36	610138216	24 T/P	7-124424000-XXX	WHT	64	J2-77	960058	
131	P1-D37	610138216	↑	↑	BLK	↑	J2-78	960058	
132	P1-D38	610138216	24	021800	WHT	-	J2-68	960058	SPLICE w/ RUN 133
133	↑	↑	24	021800	WHT	-	J2-BACKSHELL	960058	SPLICE w/ RUN 132
134	P1-D39	610138216	24	7-124924000-XXX	WHT	-	J2-69	266808	