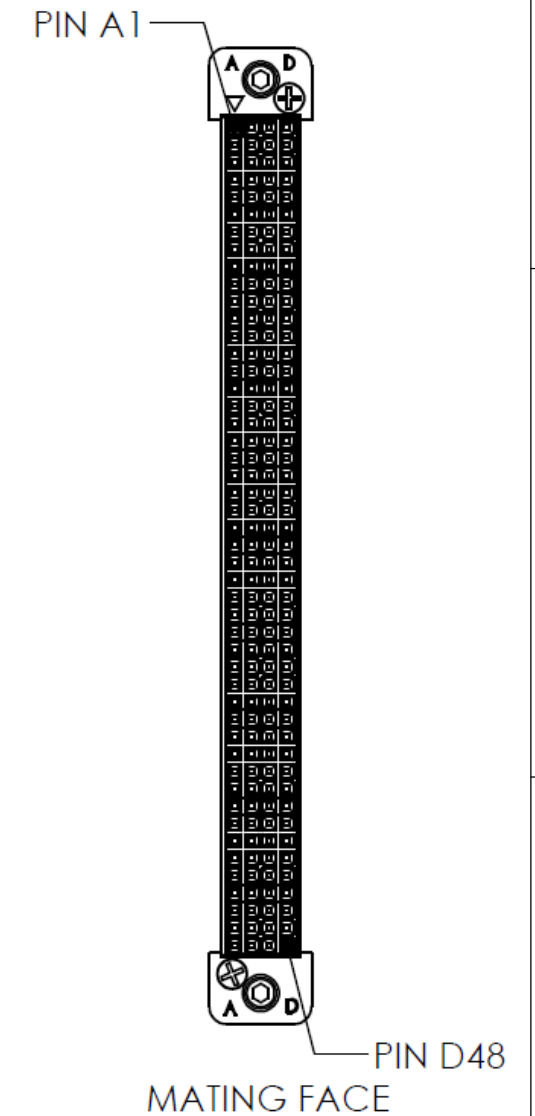
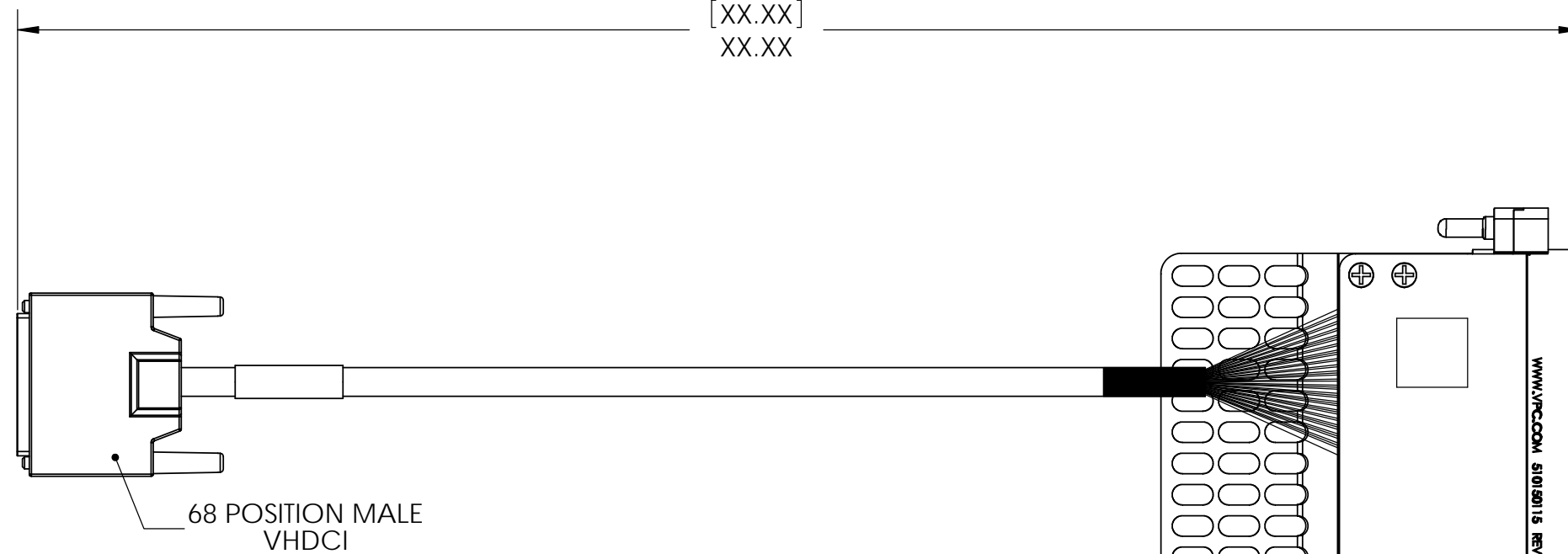
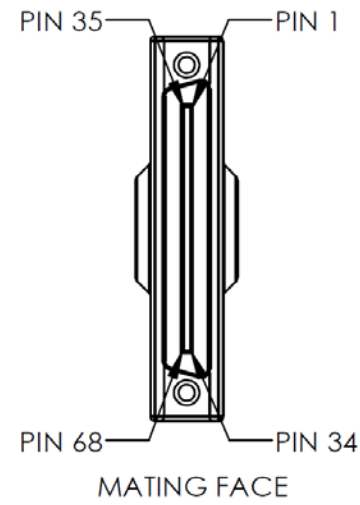


DO NOT SCALE DRAWING

THE INFORMATION CONTAINED HEREIN IS THE EXCLUSIVE PROPERTY OF VIRGINIA PANEL CORPORATION AND IS SUBMITTED FOR USE BY THE CUSTOMER ONLY. THE DATA SHALL NOT BE DUPLICATED, USED, OR DISCLOSED IN WHOLE OR IN PART FOR ANY PURPOSE OTHER THAN TO MAINTAIN THE EQUIPMENT PROVIDED. CONSULT WITH VIRGINIA PANEL CORPORATION ENGINEERING IF MORE DETAIL IS REQUIRED.

REV	DESCRIPTION	DATE	ENGINEER
C	ORIGINAL RELEASE ECN #8356	6/21/18	R FAUVER



VPC MODULE	68 PIN VHDCI "J1"		VPC MODULE	68 PIN VHDCI "J1"		VPC MODULE	68 PIN VHDCI "J1"		VPC MODULE	68 PIN VHDCI "J1"	
A1	1]-T/P #1	B2	19]-T/P #10	C1	35]-T/P #18	D2	53]-T/P #27
A2	2		B3	20		C2	36		D3	54	
A3	3]-T/P #2	B4	21]-T/P #11	C3	37]-T/P #19	D4	55]-T/P #28
A4	4		B5	22		C4	38		D5	56	
A5	5]-T/P #3	B6	23]-T/P #12	C5	39]-T/P #20	D6	57]-T/P #29
A6	6		B7	24		C6	40		D7	58	
A7	7]-T/P #4	B8	25]-T/P #13	C7	41]-T/P #21	D8	59]-T/P #30
A8	8		B9	26		C8	42		D9	60	
A9	9]-T/P #5	B10	27]-T/P #14	C9	43]-T/P #22	D10	61]-T/P #31
A10	10		B11	28		C10	44		D11	62	
A11	11]-T/P #6	B12	29]-T/P #15	C11	45]-T/P #23	D12	63]-T/P #32
A12	12		B13	30		C12	46		D13	64	
A13	13]-T/P #7	B14	31]-T/P #16	C13	47]-T/P #24	D14	65]-T/P #33
A14	14		B15	32		C14	48		D15	66	
A15	15]-T/P #8	B16	33]-T/P #17	C15	49]-T/P #25	D16	67]-T/P #34
A16	16		B17	34		C16	50		D17	68	
A17	17]-T/P #9				C17	51]-T/P #26			
B1	18					D1	52				

192 POSITION QP RCV MODULE

MATING ITA MODULE: 510151105 (1)
MATING ITA PATCHCORDS: 7-121424000-036 (34)

VPC P/N 540120010X40 WHERE X =	LENGTH XX.XX"
1	20.00" [508]
2	36.00" [914]
6	48.00" [1219]
9	60.00" [1524]
5	72.00" [1829]
RELATIVE CONNECTOR POSITIONS AND WIRE ROUTING ARE GENERIC AND MAY VARY WITH PINOUT	
DIMENSIONS ARE SHOWN AS: [MILLIMETERS] INCHES	

CUSTOMER DRAWING

CBA, RCV, QUADRAPADDLE TO 68-PIN ML VHDCI

DWG. NO. **540120010X40** REV **C**

SIZE B	SCALE NONE	CAGE CODE 18117	SHEET 1 OF 1
-----------	---------------	--------------------	-----------------