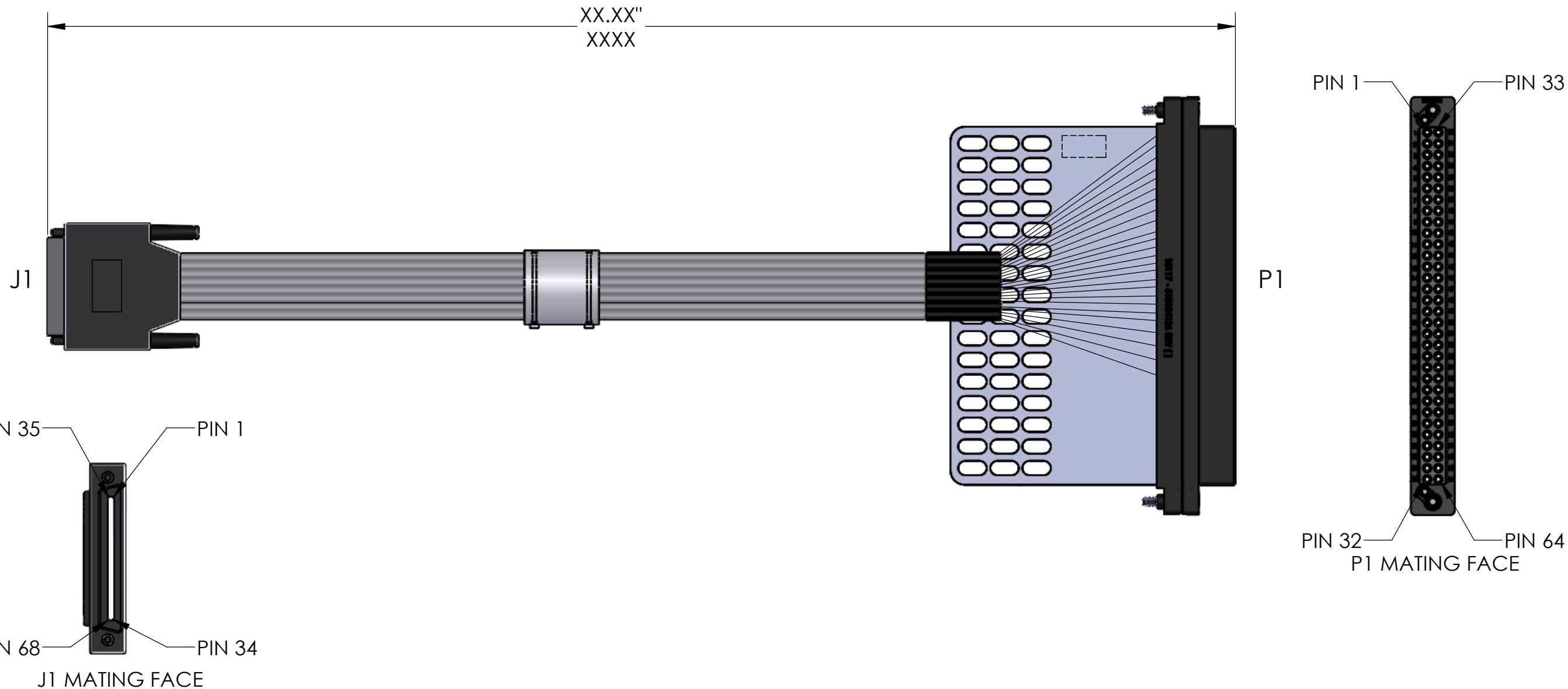


DO NOT SCALE DRAWING

THE INFORMATION CONTAINED HEREIN IS THE EXCLUSIVE PROPERTY OF VPC AND IS PERMITTED FOR USE BY THE CUSTOMER ONLY. THE DATA SHALL NOT BE DUPLICATED, USED, OR DISCLOSED IN WHOLE OR IN PART FOR ANY PURPOSE OTHER THAN TO MAINTAIN THE EQUIPMENT PROVIDED. CONSULT WITH VPC ENGINEERING IF MORE DETAIL IS REQUIRED.


REV	DESCRIPTION	DATE	ENGINEER
A	ORIGINAL RELEASE ECN# 14534	9/25/2024	K JOHNSON



MATING ITA MODULE: 510108101(1)
MATING ITA PATCHCORDS: 7-103922000-036 (36)

1. FOR MORE INFORMATION VISIT VPC.COM

NOTES:

VPC P/N P/N WHERE X =	LENGTH XX.XX"	CUSTOMER DRAWING	
1	20.00" [508]	 CBA PXI 68PN ML VHDCI	
2	36.00" [914]		
6	48.00" [1219]		
9	60.00" [1524]		
5	72.00" [1829]		
<small>RELATIVE CONNECTOR POSITIONS AND WIRE ROUTING ARE GENERIC AND MAY VARY WITH PINOUT</small>		DWG.NO.	REV
<small>DIMENSIONS ARE SHOWN AS:</small> [MILLIMETERS] INCHES		540120030X01	A
SIZE	SCALE	CAGE CODE	SHEET
B	NONE	18117	1 OF 2

Run #	From Location (Conn - Pin)	From Contact	From Signal Desc	Wire AWG	Wire/Patchcord P/N	Length (in)	Wire Color	Cable Leg	Wire Group	To Location (Conn-Pin)	To Contact	Notes
1	P1-2	610110167	TXD-	30 T/P	656246	XX	YEL/BLK	1	1	J1-67	VHDCI CONN	
2	P1-3	610110167	TXD+	↑	↑	↑	YEL	↑	↑	J1-61	↑	
3	P1-4	610110167	RTS-	30 T/P	↑	↑	RED/BLK	↑	2	J1-62	↑	
4	P1-5	610110167	CTS-	30 T/P	↑	↑	BRN/WHT	↑	3	J1-63	↑	
5	P1-6	610110167	GND	30	↑	↑	BLU/GRN	↑	-	J1-60	↑	
6	P1-7	610110167	RXD+	30 T/P	↑	↑	BLU	↑	4	J1-64	↑	
7	P1-8	610110167	RTS+	30 T/P	↑	↑	RED OR PINK	↑	2	J1-65	↑	
8	P1-9	610110167	CTS+	30 T/P	↑	↑	BRN	↑	3	J1-68	↑	
9	P1-10	610110167	RXD-	30 T/P	↑	↑	BLU/BLK	↑	4	J1-66	↑	
10	P1-34	610110167	TXD-	30 T/P	↑	↑	YEL/BLK	2	5	J1-58	↑	
11	P1-35	610110167	TXD+	↑	↑	↑	YEL	↑	↑	J1-52	↑	
12	P1-36	610110167	RTS-	30 T/P	↑	↑	RED/BLK	↑	6	J1-53	↑	
13	P1-37	610110167	CTS-	30 T/P	↑	↑	BRN/WHT	↑	7	J1-54	↑	
14	P1-38	610110167	GND	30	↑	↑	BLU/GRN	↑	-	J1-60	↑	
15	P1-39	610110167	RXD+	30 T/P	↑	↑	BLU	↑	8	J1-55	↑	
16	P1-40	610110167	RTS+	30 T/P	↑	↑	RED OR PINK	↑	6	J1-56	↑	
17	P1-41	610110167	CTS+	30 T/P	↑	↑	BRN	↑	7	J1-59	↑	
18	P1-42	610110167	RXD-	30 T/P	↑	↑	BLU/BLK	↑	8	J1-57	↑	
19	P1-24	610110167	TXD-	30 T/P	↑	↑	YEL/BLK	3	9	J1-50	↑	
20	P1-25	610110167	TXD+	↑	↑	↑	YEL	↑	↑	J1-44	↑	
21	P1-26	610110167	RTS-	30 T/P	↑	↑	RED/BLK	↑	10	J1-45	↑	
22	P1-27	610110167	CTS-	30 T/P	↑	↑	BRN/WHT	↑	11	J1-46	↑	
23	P1-28	610110167	GND	30	↑	↑	BLU/GRN	↑	-	J1-43	↑	
24	P1-29	610110167	RXD+	30 T/P	↑	↑	BLU	↑	12	J1-47	↑	
25	P1-30	610110167	RTS+	30 T/P	↑	↑	RED OR PINK	↑	10	J1-48	↑	
26	P1-31	610110167	CTS+	30 T/P	↑	↑	BRN	↑	11	J1-51	↑	
27	P1-32	610110167	RXD-	30 T/P	↑	↑	BLU/BLK	↑	12	J1-49	↑	
28	P1-56	610110167	TXD-	30 T/P	↑	↑	YEL/BLK	4	13	J1-41	↑	
29	P1-57	610110167	TXD+	↑	↑	↑	YEL	↑	↑	J1-35	↑	
30	P1-58	610110167	RTS-	30 T/P	↑	↑	RED/BLK	↑	14	J1-36	↑	
31	P1-59	610110167	CTS-	30 T/P	↑	↑	BRN/WHT	↑	15	J1-37	↑	
32	P1-60	610110167	GND	30	↑	↑	BLU/GRN	↑	-	J1-43	↑	
33	P1-61	610110167	RXD+	30 T/P	↑	↑	BLU	↑	16	J1-38	↑	
34	P1-62	610110167	RTS+	30 T/P	↑	↑	RED OR PINK	↑	14	J1-39	↑	
35	P1-63	610110167	CTS+	30 T/P	↑	↑	BRN	↑	15	J1-42	↑	
36	P1-64	610110167	RXD-	30 T/P	↑	↑	BLU/BLK	↑	16	J1-40	↑	

DO NOT SCALE DRAWING

THE INFORMATION CONTAINED HEREIN IS THE EXCLUSIVE PROPERTY OF VIRGINIA PANEL CORPORATION AND IS SUBMITTED FOR USE BY THE CUSTOMER ONLY. THE DATA SHALL NOT BE DUPLICATED, USED, OR DISCLOSED IN WHOLE OR IN PART FOR ANY PURPOSE OTHER THAN TO MAINTAIN THE EQUIPMENT PROVIDED.

DWG.NO.		540120030X01		REV	A
SIZE	SCALE	CAGE CODE	SHEET		
B	NONE	18117	2 OF 2		