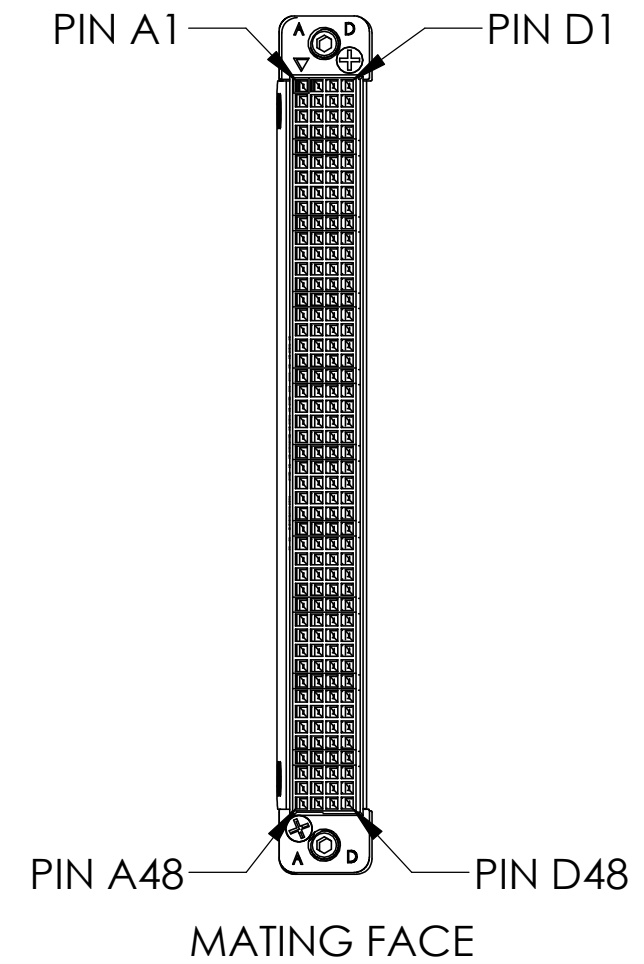
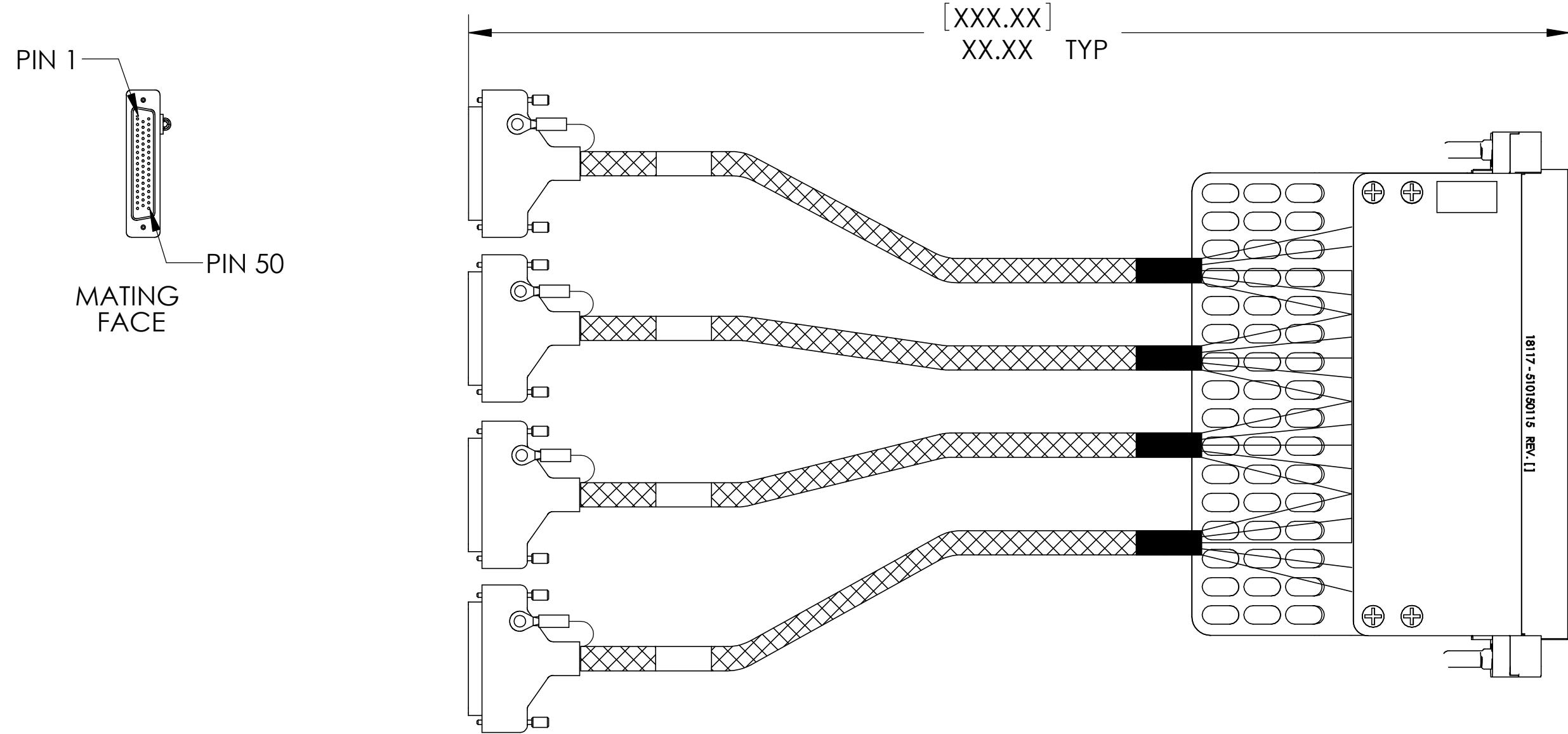


DO NOT SCALE DRAWING

THE INFORMATION CONTAINED HEREIN IS THE EXCLUSIVE PROPERTY OF VIRGINIA PANEL CORPORATION AND IS SUBMITTED FOR USE BY THE CUSTOMER ONLY. THE DATA SHALL NOT BE DUPLICATED, USED, OR DISCLOSED IN WHOLE OR IN PART FOR ANY PURPOSE OTHER THAN TO MAINTAIN THE EQUIPMENT PROVIDED. CONSULT WITH VIRGINIA PANEL CORPORATION ENGINEERING IF MORE DETAIL IS REQUIRED.

REV	DESCRIPTION	DATE	ENGINEER
C	ECN #13397	5/23/23	LSALE



MATING MODULE - 510151105  
 MATING PATCHCORDS - 7-121924000-036 (8) 7-121424000-036 (82)

1. FOR APPLICATION USE AND CARE INFORMATION CONSULT VPC USERS GUIDE @ WWW.VPC.COM

NOTES:

VPC P/N 540142020X40 WHERE X =	LENGTH XX.XX"
1	20.00" [508]
2	36.00" [914]
6	48.00" [1219]
9	60.00" [1524]
5	72.00" [1829]

RELATIVE CONNECTOR POSITIONS AND WIRE ROUTING ARE GENERIC AND MAY VARY WITH PINOUT  
 DIMENSIONS ARE SHOWN AS:  
 [MILLIMETERS]  
 INCHES

**CUSTOMER DRAWING**



**CBA AGLNT 34932A (2)**

DWG.NO. <b>540142020X40</b>		REV <b>C</b>
SIZE <b>B</b>	SCALE <b>NONE</b>	CAGE CODE <b>18117</b>
		SHEET <b>1 OF 3</b>

4

3

2

1

Run #	From Location (Conn - Pin)	From Contact	Wire AWG	Wire/Patchcord P/N	Wire Color	T/P #	To Location (Conn - Pin)	To Contact	Notes
1	PIN 1	960038	24 AWG	7-124424546-XXX	WHT	1	PIN A1	610138216	
2	PIN 2	960038	T/P		BLK		PIN A2	610138216	
3	PIN 3	960038	24 AWG	7-124424546-XXX	WHT	2	PIN A3	610138216	
4	PIN 4	960038	T/P		BLK		PIN A4	610138216	
5	PIN 5	960038	24 AWG	7-124424546-XXX	WHT	3	PIN A5	610138216	
6	PIN 6	960038	T/P		BLK		PIN A6	610138216	
7	PIN 7	960038	24 AWG	7-124424546-XXX	WHT	4	PIN A7	610138216	
8	PIN 8	960038	T/P		BLK		PIN A8	610138216	
9	PIN 9	960038	24 AWG	7-124424546-XXX	WHT	5	PIN A9	610138216	
10	PIN 10	960038	T/P		BLK		PIN A10	610138216	
11	PIN 13	960038	24 AWG	7-124424546-XXX	WHT	6	PIN A11	610138216	
12	PIN 14	960038	T/P		BLK		PIN A12	610138216	
13	PIN 15	960038	24 AWG	7-124424546-XXX	WHT	7	PIN A13	610138216	
14	PIN 16	960038	T/P		BLK		PIN A14	610138216	
15	PIN 17	960038	24 AWG	7-124424546-XXX	WHT	8	PIN A15	610138216	
16	PIN 33	960038	T/P		BLK		PIN A16	610138216	
17	PIN 19	960038	24 AWG	7-124424546-XXX	WHT	9	PIN A17	610138216	
18	PIN 20	960038	T/P		BLK		PIN A18	610138216	
19	PIN 21	960038	24 AWG	7-124424546-XXX	WHT	10	PIN A19	610138216	
20	PIN 22	960038	T/P		BLK		PIN A20	610138216	
21	PIN 23	960038	24 AWG	7-124424546-XXX	WHT	11	PIN A21	610138216	
22	PIN 24	960038	T/P		BLK		PIN A22	610138216	
23	PIN 25	960038	24 AWG	7-124424546-XXX	WHT	12	PIN A23	610138216	
24	PIN 26	960038	T/P		BLK		PIN A24	610138216	
25	PIN 27	960038	24 AWG	7-124424546-XXX	WHT	13	PIN A25	610138216	
26	PIN 28	960038	T/P		BLK		PIN A26	610138216	
27	PIN 29	960038	24 AWG	7-124424546-XXX	WHT	14	PIN A27	610138216	
28	PIN 30	960038	T/P		BLK		PIN A28	610138216	
29	PIN 35	960038	24 AWG	7-124424546-XXX	WHT	15	PIN A29	610138216	
30	PIN 36	960038	T/P		BLK		PIN A30	610138216	
31	PIN 37	960038	24 AWG	7-124424546-XXX	WHT	16	PIN A31	610138216	
32	PIN 38	960038	T/P		BLK		PIN A32	610138216	
33	PIN 39	960038	24 AWG	7-124424546-XXX	WHT	17	PIN A33	610138216	
34	PIN 40	960038	T/P		BLK		PIN A34	610138216	
35	PIN 41	960038	24 AWG	7-124424546-XXX	WHT	18	PIN A35	610138216	
36	PIN 42	960038	T/P		BLK		PIN A36	610138216	
37	PIN 43	960038	24 AWG	7-124424546-XXX	WHT	19	PIN A37	610138216	
38	PIN 44	960038	T/P		BLK		PIN A38	610138216	
39	PIN 47	960038	24 AWG	7-124424546-XXX	WHT	20	PIN A39	610138216	
40	PIN 48	960038	T/P		BLK		PIN A40	610138216	
41	PIN 49	960038	24 AWG	7-124424546-XXX	WHT	21	PIN A41	610138216	
42	PIN 50	960038	T/P		BLK		PIN A42	610138216	
43	BACKSHELL	266808	24 AWG	7-124924000-XXX	WHT	-	PIN A43	610138216	

Run #	From Location (Conn - Pin)	From Contact	Wire AWG	Wire/Patchcord P/N	Wire Color	T/P #	To Location (Conn - Pin)	To Contact	Notes
44	PIN 1	960038	24 AWG	7-124424546-XXX	WHT	22	PIN B1	610138216	
45	PIN 2	960038	T/P		BLK		PIN B2	610138216	
46	PIN 3	960038	24 AWG	7-124424546-XXX	WHT	23	PIN B3	610138216	
47	PIN 4	960038	T/P		BLK		PIN B4	610138216	
48	PIN 5	960038	24 AWG	7-124424546-XXX	WHT	24	PIN B5	610138216	
49	PIN 6	960038	T/P		BLK		PIN B6	610138216	
50	PIN 7	960038	24 AWG	7-124424546-XXX	WHT	25	PIN B7	610138216	
51	PIN 8	960038	T/P		BLK		PIN B8	610138216	
52	PIN 9	960038	24 AWG	7-124424546-XXX	WHT	26	PIN B9	610138216	
53	PIN 10	960038	T/P		BLK		PIN B10	610138216	
54	PIN 13	960038	24 AWG	7-124424546-XXX	WHT	27	PIN B11	610138216	
55	PIN 14	960038	T/P		BLK		PIN B12	610138216	
56	PIN 15	960038	24 AWG	7-124424546-XXX	WHT	28	PIN B13	610138216	
57	PIN 16	960038	T/P		BLK		PIN B14	610138216	
58	PIN 17	960038	24 AWG	7-124424546-XXX	WHT	29	PIN B15	610138216	
59	PIN 33	960038	T/P		BLK		PIN B16	610138216	
60	PIN 19	960038	24 AWG	7-124424546-XXX	WHT	30	PIN B17	610138216	
61	PIN 20	960038	T/P		BLK		PIN B18	610138216	
62	PIN 21	960038	24 AWG	7-124424546-XXX	WHT	31	PIN B19	610138216	
63	PIN 22	960038	T/P		BLK		PIN B20	610138216	
64	PIN 23	960038	24 AWG	7-124424546-XXX	WHT	32	PIN B21	610138216	
65	PIN 24	960038	T/P		BLK		PIN B22	610138216	
66	PIN 25	960038	24 AWG	7-124424546-XXX	WHT	33	PIN B23	610138216	
67	PIN 26	960038	T/P		BLK		PIN B24	610138216	
68	PIN 27	960038	24 AWG	7-124424546-XXX	WHT	34	PIN B25	610138216	
69	PIN 28	960038	T/P		BLK		PIN B26	610138216	
70	PIN 29	960038	24 AWG	7-124424546-XXX	WHT	35	PIN B27	610138216	
71	PIN 30	960038	T/P		BLK		PIN B28	610138216	
72	PIN 35	960038	24 AWG	7-124424546-XXX	WHT	36	PIN B29	610138216	
73	PIN 36	960038	T/P		BLK		PIN B30	610138216	
74	PIN 37	960038	24 AWG	7-124424546-XXX	WHT	37	PIN B31	610138216	
75	PIN 38	960038	T/P		BLK		PIN B32	610138216	
76	PIN 39	960038	24 AWG	7-124424546-XXX	WHT	38	PIN B33	610138216	
77	PIN 40	960038	T/P		BLK		PIN B34	610138216	
78	PIN 41	960038	24 AWG	7-124424546-XXX	WHT	39	PIN B35	610138216	
79	PIN 42	960038	T/P		BLK		PIN B36	610138216	
80	PIN 43	960038	24 AWG	7-124424546-XXX	WHT	40	PIN B37	610138216	
81	PIN 44	960038	T/P		BLK		PIN B38	610138216	
82	PIN 47	960038	24 AWG	7-124424546-XXX	WHT	41	PIN B39	610138216	
83	PIN 48	960038	T/P		BLK		PIN B40	610138216	
84	PIN 49	960038	24 AWG	7-124424546-XXX	WHT	42	PIN B41	610138216	
85	PIN 50	960038	T/P		BLK		PIN B42	610138216	
86	BACKSHELL	266808	24 AWG	7-124924000-XXX	WHT	-	PIN B43	610138216	

DO NOT SCALE DRAWING

**CUSTOMER DRAWING - CUSTOMER DRAWING - CUSTOMER DRAWING**

THE INFORMATION CONTAINED HEREIN IS THE EXCLUSIVE PROPERTY OF VIRGINIA PANEL CORPORATION AND IS SUBMITTED FOR USE BY THE CUSTOMER ONLY. THE DATA SHALL NOT BE DUPLICATED, USED, OR DISCLOSED IN WHOLE OR IN PART FOR ANY PURPOSE OTHER THAN TO MAINTAIN THE EQUIPMENT PROVIDED.

DWG.NO.		REV	
<b>540142020X40</b>		<b>C</b>	
SIZE	SCALE	CAGE CODE	SHEET
B	NONE	18117	2 OF 3

4

3

2

1

4

3

2

1

Run #	From Location (Conn - Pin)	From Contact	Wire AWG	Wire/Patchcord P/N	Wire Color	T/P #	To Location (Conn - Pin)	To Contact	Notes
87	PIN 1	960038	24 AWG	7-124424546-XXX	WHT	43	PIN C1	610138216	
88	PIN 2	960038	T/P		BLK		PIN C2	610138216	
89	PIN 3	960038	24 AWG	7-124424546-XXX	WHT	44	PIN C3	610138216	
90	PIN 4	960038	T/P		BLK		PIN C4	610138216	
91	PIN 5	960038	24 AWG	7-124424546-XXX	WHT	45	PIN C5	610138216	
92	PIN 6	960038	T/P		BLK		PIN C6	610138216	
93	PIN 7	960038	24 AWG	7-124424546-XXX	WHT	46	PIN C7	610138216	
94	PIN 8	960038	T/P		BLK		PIN C8	610138216	
95	PIN 9	960038	24 AWG	7-124424546-XXX	WHT	47	PIN C9	610138216	
96	PIN 10	960038	T/P		BLK		PIN C10	610138216	
97	PIN 13	960038	24 AWG	7-124424546-XXX	WHT	48	PIN C11	610138216	
98	PIN 14	960038	T/P		BLK		PIN C12	610138216	
99	PIN 15	960038	24 AWG	7-124424546-XXX	WHT	49	PIN C13	610138216	
100	PIN 16	960038	T/P		BLK		PIN C14	610138216	
101	PIN 17	960038	24 AWG	7-124924546-XXX	WHT	-	PIN C15	610138216	
102	PIN 19	960038	24 AWG	7-124424546-XXX	WHT	50	PIN C16	610138216	
103	PIN 20	960038	T/P		BLK		PIN C17	610138216	
104	PIN 21	960038	24 AWG	7-124424546-XXX	WHT	51	PIN C18	610138216	
105	PIN 22	960038	T/P		BLK		PIN C19	610138216	
106	PIN 23	960038	24 AWG	7-124424546-XXX	WHT	52	PIN C20	610138216	
107	PIN 24	960038	T/P		BLK		PIN C21	610138216	
108	PIN 25	960038	24 AWG	7-124424546-XXX	WHT	53	PIN C22	610138216	
109	PIN 26	960038	T/P		BLK		PIN C23	610138216	
110	PIN 27	960038	24 AWG	7-124424546-XXX	WHT	54	PIN C24	610138216	
111	PIN 28	960038	T/P		BLK		PIN C25	610138216	
112	PIN 29	960038	24 AWG	7-124424546-XXX	WHT	55	PIN C26	610138216	
113	PIN 30	960038	T/P		BLK		PIN C27	610138216	
114	PIN 33	960038	24 AWG	7-124924546-XXX	WHT	-	PIN C28	610138216	
115	PIN 35	960038	24 AWG	7-124424546-XXX	WHT	56	PIN C29	610138216	
116	PIN 36	960038	T/P		BLK		PIN C30	610138216	
117	PIN 37	960038	24 AWG	7-124424546-XXX	WHT	57	PIN C31	610138216	
118	PIN 38	960038	T/P		BLK		PIN C32	610138216	
119	PIN 39	960038	24 AWG	7-124424546-XXX	WHT	58	PIN C33	610138216	
120	PIN 40	960038	T/P		BLK		PIN C34	610138216	
121	PIN 41	960038	24 AWG	7-124424546-XXX	WHT	59	PIN C35	610138216	
122	PIN 42	960038	T/P		BLK		PIN C36	610138216	
123	PIN 43	960038	24 AWG	7-124424546-XXX	WHT	60	PIN C37	610138216	
124	PIN 44	960038	T/P		BLK		PIN C38	610138216	
125	PIN 47	960038	24 AWG	7-124424546-XXX	WHT	61	PIN C39	610138216	
126	PIN 48	960038	T/P		BLK		PIN C40	610138216	
127	PIN 49	960038	24 AWG	7-124424546-XXX	WHT	62	PIN C41	610138216	
128	PIN 50	960038	T/P		BLK		PIN C42	610138216	
129	BACKSHELL	266808	24 AWG	7-124924000-XXX	WHT	-	PIN C43	610138216	

Run #	From Location (Conn - Pin)	From Contact	Wire AWG	Wire/Patchcord P/N	Wire Color	T/P #	To Location (Conn - Pin)	To Contact	Notes
130	PIN 1	960038	24 AWG	7-124424546-XXX	WHT	63	PIN D1	610138216	
131	PIN 2	960038	T/P		BLK		PIN D2	610138216	
132	PIN 3	960038	24 AWG	7-124424546-XXX	WHT	64	PIN D3	610138216	
133	PIN 4	960038	T/P		BLK		PIN D4	610138216	
134	PIN 5	960038	24 AWG	7-124424546-XXX	WHT	65	PIN D5	610138216	
135	PIN 6	960038	T/P		BLK		PIN D6	610138216	
136	PIN 7	960038	24 AWG	7-124424546-XXX	WHT	66	PIN D7	610138216	
137	PIN 8	960038	T/P		BLK		PIN D8	610138216	
138	PIN 9	960038	24 AWG	7-124424546-XXX	WHT	67	PIN D9	610138216	
139	PIN 10	960038	T/P		BLK		PIN D10	610138216	
140	PIN 13	960038	24 AWG	7-124424546-XXX	WHT	68	PIN D11	610138216	
141	PIN 14	960038	T/P		BLK		PIN D12	610138216	
142	PIN 15	960038	24 AWG	7-124424546-XXX	WHT	69	PIN D13	610138216	
143	PIN 16	960038	T/P		BLK		PIN D14	610138216	
144	PIN 17	960038	24 AWG	7-124924546-XXX	WHT	-	PIN D15	610138216	
145	PIN 19	960038	24 AWG	7-124424546-XXX	WHT	70	PIN D16	610138216	
146	PIN 20	960038	T/P		BLK		PIN D17	610138216	
147	PIN 21	960038	24 AWG	7-124424546-XXX	WHT	71	PIN D18	610138216	
148	PIN 22	960038	T/P		BLK		PIN D19	610138216	
149	PIN 23	960038	24 AWG	7-124424546-XXX	WHT	72	PIN D20	610138216	
150	PIN 24	960038	T/P		BLK		PIN D21	610138216	
151	PIN 25	960038	24 AWG	7-124424546-XXX	WHT	73	PIN D22	610138216	
152	PIN 26	960038	T/P		BLK		PIN D23	610138216	
153	PIN 27	960038	24 AWG	7-124424546-XXX	WHT	74	PIN D24	610138216	
154	PIN 28	960038	T/P		BLK		PIN D25	610138216	
155	PIN 29	960038	24 AWG	7-124424546-XXX	WHT	75	PIN D26	610138216	
156	PIN 30	960038	T/P		BLK		PIN D27	610138216	
157	PIN 33	960038	24 AWG	7-124924546-XXX	WHT	-	PIN D28	610138216	
158	PIN 35	960038	24 AWG	7-124424546-XXX	WHT	76	PIN D29	610138216	
159	PIN 36	960038	T/P		BLK		PIN D30	610138216	
160	PIN 37	960038	24 AWG	7-124424546-XXX	WHT	77	PIN D31	610138216	
161	PIN 38	960038	T/P		BLK		PIN D32	610138216	
162	PIN 39	960038	24 AWG	7-124424546-XXX	WHT	78	PIN D33	610138216	
163	PIN 40	960038	T/P		BLK		PIN D34	610138216	
164	PIN 41	960038	24 AWG	7-124424546-XXX	WHT	79	PIN D35	610138216	
165	PIN 42	960038	T/P		BLK		PIN D36	610138216	
166	PIN 43	960038	24 AWG	7-124424546-XXX	WHT	80	PIN D37	610138216	
167	PIN 44	960038	T/P		BLK		PIN D38	610138216	
168	PIN 47	960038	24 AWG	7-124424546-XXX	WHT	81	PIN D39	610138216	
169	PIN 48	960038	T/P		BLK		PIN D40	610138216	
170	PIN 49	960038	24 AWG	7-124424546-XXX	WHT	82	PIN D41	610138216	
171	PIN 50	960038	T/P		BLK		PIN D42	610138216	
172	BACKSHELL	266808	24 AWG	7-124924000-XXX	WHT	-	PIN D43	610138216	

**CUSTOMER DRAWING - CUSTOMER DRAWING - CUSTOMER DRAWING**

THE INFORMATION CONTAINED HEREIN IS THE EXCLUSIVE PROPERTY OF VIRGINIA PANEL CORPORATION AND IS SUBMITTED FOR USE BY THE CUSTOMER ONLY. THE DATA SHALL NOT BE DUPLICATED, USED, OR DISCLOSED IN WHOLE OR IN PART FOR ANY PURPOSE OTHER THAN TO MAINTAIN THE EQUIPMENT PROVIDED.

DWG.NO.		REV	
<b>540142020X40</b>		<b>C</b>	
SIZE	SCALE	CAGE CODE	SHEET
B	NONE	18117	3 OF 3

DO NOT SCALE DRAWING

4

3

2

1