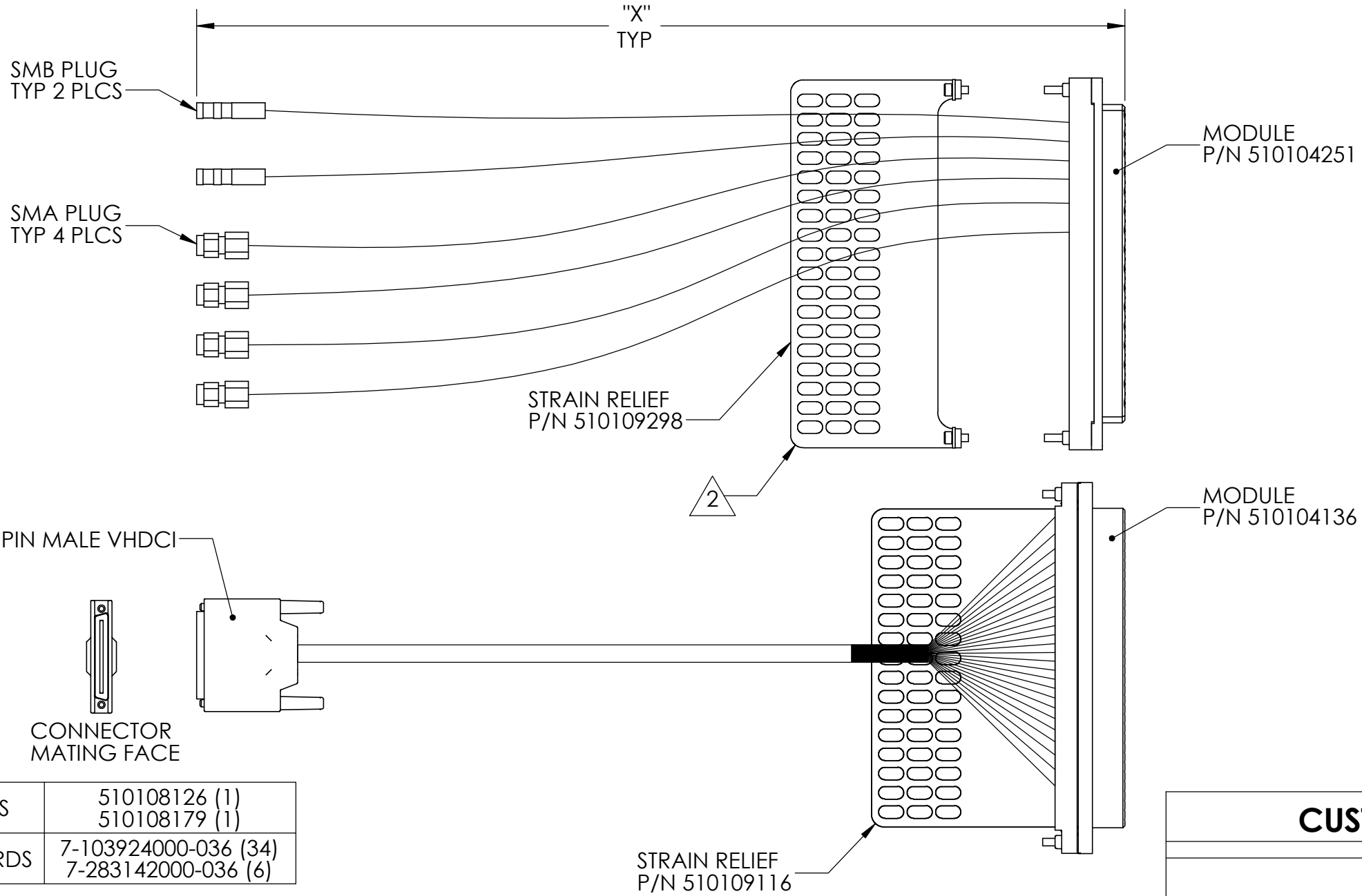


DO NOT SCALE DRAWING

THE INFORMATION CONTAINED HEREIN IS THE EXCLUSIVE PROPERTY OF VIRGINIA PANEL CORPORATION AND IS SUBMITTED FOR USE BY THE CUSTOMER ONLY. THE DATA SHALL NOT BE DUPLICATED, USED, OR DISCLOSED IN WHOLE OR IN PART FOR ANY PURPOSE OTHER THAN TO MAINTAIN THE EQUIPMENT PROVIDED. CONSULT WITH VIRGINIA PANEL CORPORATION ENGINEERING IF MORE DETAIL IS REQUIRED.

REVISIONS			
REV	DESCRIPTION	DATE	ENGR
B	ECN #4708	7/9/13	L LOCKRIDGE



MATING MODULES	510108126 (1) 510108179 (1)
MATING PATCHCORDS	7-103924000-036 (34) 7-283142000-036 (6)

CUSTOMER DRAWING			
VPC			
CBA, RCV, TRIPADDLE TO 1 x 68-PIN ML VHDCI & 20/26 GHz to 4x SMA, 2 x SMB P/N 540170010X43			
DIMENSIONS ARE SHOWN AS:	SIZE	CAGE CODE	DWG.NO.
[MILLIMETERS]	B	18117	441233001
INCHES			
	SCALE: NONE	441233001	4/16/08
			REV B

2 CABLE STRAIN RELIEF PLATE ACCESSORY IS PROVIDED IN LOOSE PIECE FORM. MOUNTING HARDWARE AND CABLE TIE-DOWN STRIPS ARE ALSO PROVIDED. THE MODULE SHOULD BE MOUNTED TO THE RECEIVER FIRST. THEN THE STRAIN RELIEF PLATE SHOULD BE MOUNTED TO THE WIRE SIDE OF THE RECEIVER FRAME. FINALLY, THE CUSTOMER SHOULD USE THE CABLE TIES TO SECURE THE CABLES TO THE PLATE.

4

3

2

1

D

C

B

A

4

3

2

1

4

3

2

1

MODULE POSITION	68 PIN VHDCI	WIRE	MODULE POSITION	68 PIN VHDCI	WIRE
1	1	TWISTED PAIR	35	35	TWISTED PAIR
2	2	TWISTED PAIR	36	36	TWISTED PAIR
3	3	TWISTED PAIR	37	37	TWISTED PAIR
4	4	TWISTED PAIR	38	38	TWISTED PAIR
5	5	TWISTED PAIR	39	39	TWISTED PAIR
6	6	TWISTED PAIR	40	40	TWISTED PAIR
7	7	TWISTED PAIR	41	41	TWISTED PAIR
8	8	TWISTED PAIR	42	42	TWISTED PAIR
9	9	TWISTED PAIR	43	43	TWISTED PAIR
10	10	TWISTED PAIR	44	44	TWISTED PAIR
11	11	TWISTED PAIR	45	45	TWISTED PAIR
12	12	TWISTED PAIR	46	46	TWISTED PAIR
13	13	TWISTED PAIR	47	47	TWISTED PAIR
14	14	TWISTED PAIR	48	48	TWISTED PAIR
15	15	TWISTED PAIR	49	49	TWISTED PAIR
16	16	TWISTED PAIR	50	50	TWISTED PAIR
17	17	TWISTED PAIR	51	51	TWISTED PAIR
18	18	TWISTED PAIR	52	52	TWISTED PAIR
19	19	TWISTED PAIR	53	53	TWISTED PAIR
20	20	TWISTED PAIR	54	54	TWISTED PAIR
21	21	TWISTED PAIR	55	55	TWISTED PAIR
22	22	TWISTED PAIR	56	56	TWISTED PAIR
23	23	TWISTED PAIR	57	57	TWISTED PAIR
24	24	TWISTED PAIR	58	58	TWISTED PAIR
25	25	TWISTED PAIR	59	59	TWISTED PAIR
26	26	TWISTED PAIR	60	60	TWISTED PAIR
27	27	TWISTED PAIR	61	61	TWISTED PAIR
28	28	TWISTED PAIR	62	62	TWISTED PAIR
29	29	TWISTED PAIR	63	63	TWISTED PAIR
30	30	TWISTED PAIR	64	64	TWISTED PAIR
31	31	TWISTED PAIR	65	65	TWISTED PAIR
32	32	TWISTED PAIR	66	66	TWISTED PAIR
33	33	TWISTED PAIR	67	67	TWISTED PAIR
34	34	TWISTED PAIR	68	68	TWISTED PAIR

MODULE POSITION	TO	WIRE	LABEL
1	SMB PLUG	RG142	PFI 0
2	SMB PLUG	RG142	PFI 1
3	SMA PLUG	RG142	10 MHz OUT
4	SMA PLUG	RG142	LOCAL OUT
5	SMA PLUG	RG142	REF IN
6	SMA PLUG	RG142	RF OUT

D

D

C

C

B

B

A

A

CUSTOMER DRAWING - CUSTOMER DRAWING - CUSTOMER DRAWING

THE INFORMATION CONTAINED HEREIN IS THE EXCLUSIVE PROPERTY OF VIRGINIA PANEL CORPORATION AND IS SUBMITTED FOR USE BY THE CUSTOMER ONLY. THE DATA SHALL NOT BE DUPLICATED, USED, OR DISCLOSED IN WHOLE OR IN PART FOR ANY PURPOSE OTHER THAN TO MAINTAIN THE EQUIPMENT PROVIDED.

SIZE B	CAGE CODE 18117	DWG.NO. 441233001	REV B
SCALE: NONE		441233001 4/16/08	SHEET 2 OF 2

DO NOT SCALE DRAWING

4

3

2

1