

4

3

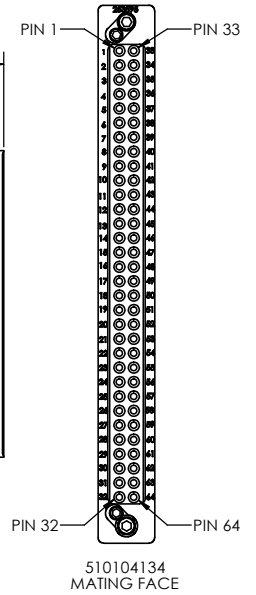
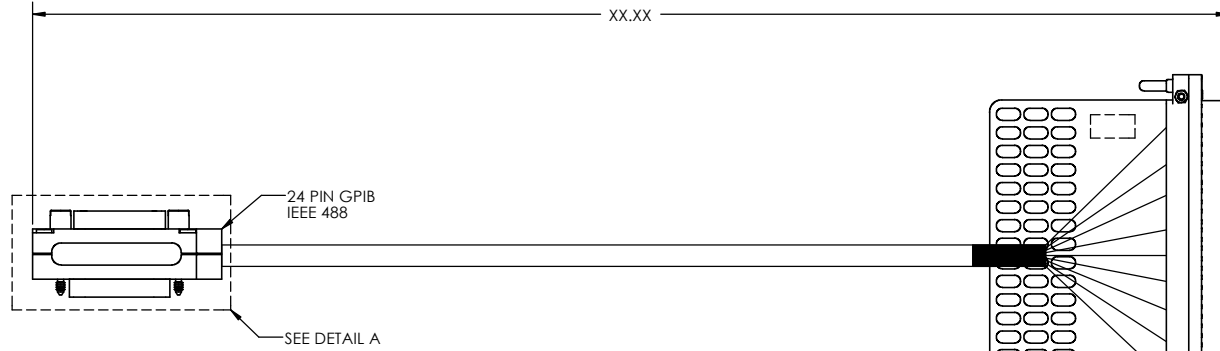
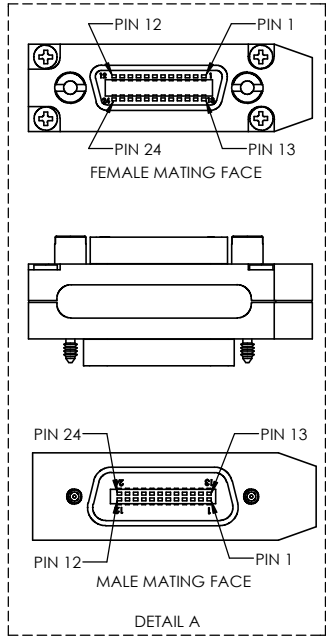
2

1

DO NOT SCALE DRAWING

THE INFORMATION CONTAINED HEREIN IS THE EXCLUSIVE PROPERTY OF VIRGINIA PANEL CORPORATION AND IS SUBMITTED FOR USE BY THE CUSTOMER ONLY. THE DATA SHALL NOT BE DUPLICATED, USED, OR DISCLOSED IN WHOLE OR IN PART FOR ANY PURPOSE OTHER THAN TO MAINTAIN THE EQUIPMENT PROVIDED. CONSULT WITH VIRGINIA PANEL CORPORATION ENGINEERING IF MORE DETAIL IS REQUIRED.

REVISIONS			
REV	DESCRIPTION	DATE	ENGR
D	ECN #13487	19/6/23	RZ



VPC PIN	WIRE	FUNCTION	IEEE 488 PIN
1	26 AWG T/P	DATA LINE DIO 1	1
33		DATA LINE DIO 6	14
2	26 AWG T/P	DATA LINE DIO 2	2
34	26 AWG T/P	DATA LINE DIO 3	3
3	26 AWG T/P	DATA LINE DIO 4	4
35		DATA LINE DIO 5	13
4	26 AWG T/P	DATA LINE DIO 7	15
36		DATA LINE DIO 8	16
5	26 AWG T/P	EOI	5
37		EOI RETURN	24
6	26 AWG T/P	DAV	6
38	26 AWG T/P	DAV RETURN	18
7		NRFD	7
39	26 AWG T/P	NRFD RETURN	19
8	26 AWG T/P	NDAC	8
40		NDAC RETURN	20
9	26 AWG T/P	IFC	9
41		IFC RETURN	21
10	26 AWG T/P	SRQ	10
42		SRQ RETURN	22
11	26 AWG T/P	ATN	11
43		ATN RETURN	23
12	26 AWG T/P	REN	17
44		REN RETURN	24
13	INNER DRAIN	INNER SHIELD	24
45	OUTER DRAIN	OUTER SHIELD	12 & SHELL

VPC P/N 540191020X01 WHERE X =	LENGTH XX.XX"	CUSTOMER DRAWING			
1	20.00" [508]	VIRGINIA PANEL CORPORATION www.vpc.com			
2	36.00" [914]				
6	48.00" [1219]	CBA RCV 24PN GPIB			
9	60.00" [1524]				
5	72.00" [1829]				
DIMENSIONS ARE SHOWN AS:		SIZE	CAGE CODE	DWG. NO.	REV.
[MILLIMETERS]		C	18117	540191020X01	C
INCHES		SCALE: NONE	540191020X01	10/19/10	SHEET 1 OF 1

△ VPC PIN 44 IS JUMPERED TO 13

1. FOR APPLICATION USE & CARE INFORMATION CONSULT VPC USERS GUIDE @WWW.VPC.COM NOTES:

MATING MODULE	510108101 (1)
MATING PATCHCORDS	7-105426000-036 (12) 7-105926000-036 (2)

4

3

2

1