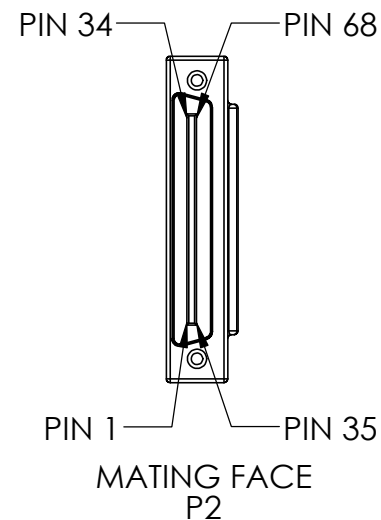
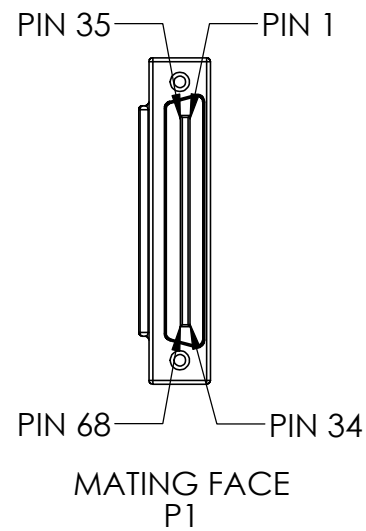
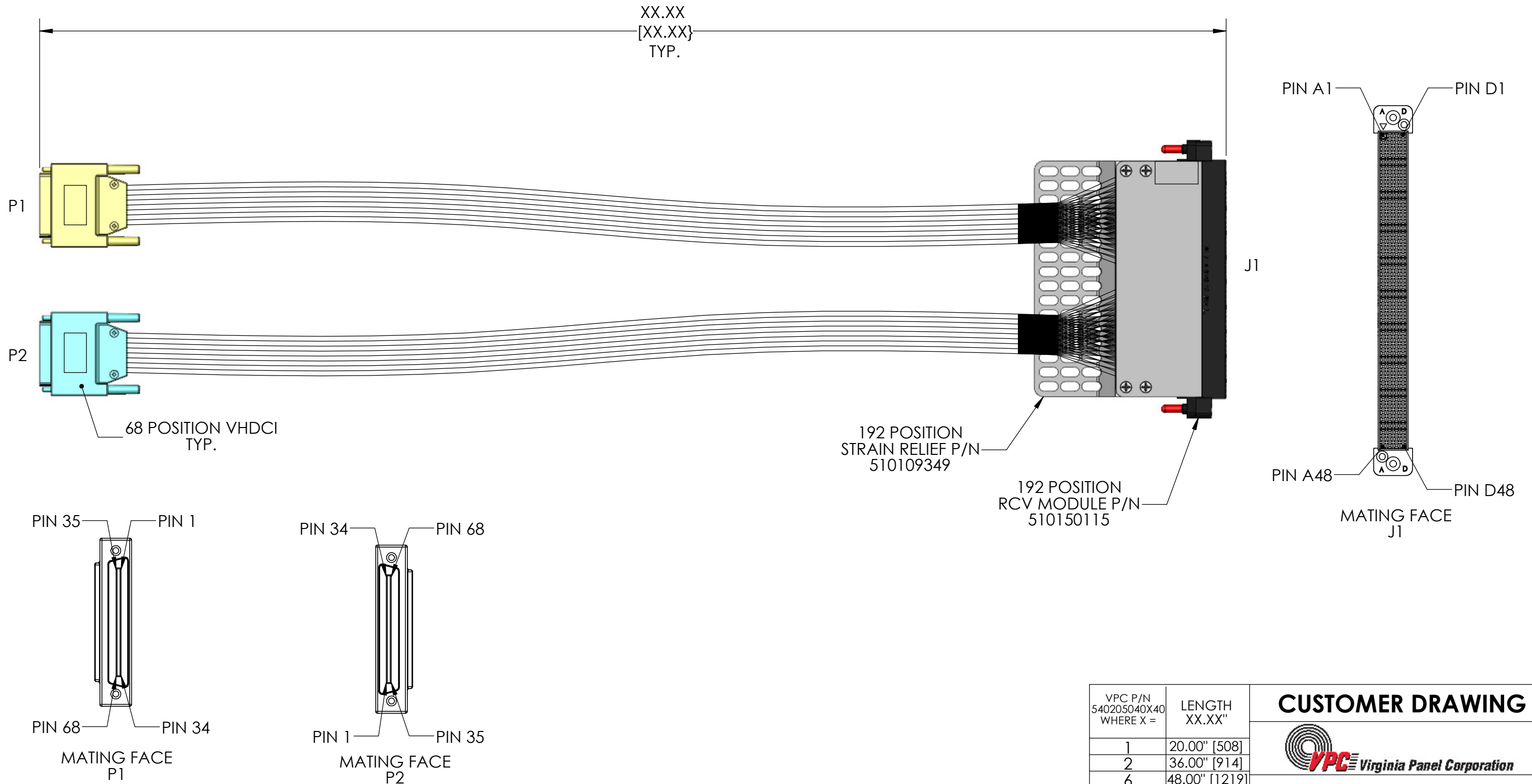


DO NOT SCALE DRAWING

THE INFORMATION CONTAINED HEREIN IS THE EXCLUSIVE PROPERTY OF VIRGINIA PANEL CORPORATION AND IS SUBMITTED FOR USE BY THE CUSTOMER ONLY. THE DATA SHALL NOT BE DUPLICATED, USED, OR DISCLOSED IN WHOLE OR IN PART FOR ANY PURPOSE OTHER THAN TO MAINTAIN THE EQUIPMENT PROVIDED. CONSULT WITH VIRGINIA PANEL CORPORATION ENGINEERING IF MORE DETAIL IS REQUIRED.

REV	DESCRIPTION	DATE	ENGINEER
C	ECN #12661	6/22/2022	K JOHNSON



2. MATING MODULE: 510151105 (QTY 1)
 MATING PATCHCORDS: 7-123426000-XXX (QTY 72)

NOTES:

VPC P/N 540205040X40 WHERE X =	LENGTH XX.XX"
1	20.00" [508]
2	36.00" [914]
6	48.00" [1219]
9	60.00" [1524]
5	72.00" [1829]

RELATIVE CONNECTOR POSITIONS AND WIRE ROUTING ARE GENERIC AND MAY VARY WITH PINOUT

DIMENSIONS ARE SHOWN AS:
 [MILLIMETERS]
 INCHES

CUSTOMER DRAWING



CBA,RCV,QUADRAPADDLE to
 2 x VHDCI f/ PXIe-8431/16

DWG.NO.		REV	
540205040X40		C	
SIZE	SCALE	CAGE CODE	SHEET
B	NONE	18117	1 OF 3

Run #	From Location (Conn - Pin)	Contact	Wire AWG	Wire/Patchcord P/N	Wire Color	T/P #	To Location (Conn - Pin)	Signal Desc	Contact	Notes
1	J1-A1	610138216	30AWG	656246	BLU	1	P1-64	CH 0_RXD +	-	-
2	J1-B1	610138216	30AWG		BLU/BLK		P1-66	CH 0_RXD -	-	-
3	J1-C1	610138216	30AWG		BRN	2	P1-68	CH 0_CTS +	-	-
4	J1-D1	610138216	30AWG		BRN/WHT		P1-63	CH 0_CTS -	-	-
5	J1-A2	610138216	30AWG		RED OR PNK	3	P1-65	CH 0_RTS +	-	-
6	J1-B2	610138216	30AWG		RED/BLK		P1-62	CH 0_RTS -	-	-
7	J1-C2	610138216	30AWG		YEL	4	P1-61	CH 0_TXD +	-	-
8	J1-D2	610138216	30AWG		YEL/BLK		P1-67	CH 0_TXD -	-	-
9	J1-A3	610138216	30AWG		BLU/GRN	-	P1-60	CH 0_GND	-	-
10	J1-B3	610138216	30AWG		BLU/GRN			CH 1_GND	-	-
11	J1-C3	610138216	30AWG		BLU	5	P1-55	CH 1_RXD +	-	-
12	J1-D3	610138216	30AWG		BLU/BLK		P1-57	CH 1_RXD -	-	-
13	J1-A4	610138216	30AWG		BRN	6	P1-59	CH 1_CTS +	-	-
14	J1-B4	610138216	30AWG		BRN/WHT		P1-54	CH 1_CTS -	-	-
15	J1-C4	610138216	30AWG		RED OR PNK	7	P1-56	CH 1_RTS +	-	-
16	J1-D4	610138216	30AWG		RED/BLK		P1-53	CH 1_RTS -	-	-
17	J1-A5	610138216	30AWG		YEL	8	P1-52	CH 1_TXD +	-	-
18	J1-B5	610138216	30AWG		YEL/BLK		P1-58	CH 1_TXD -	-	-
19	J1-C5	610138216	30AWG		BLU	9	P1-47	CH 2_RXD +	-	-
20	J1-D5	610138216	30AWG		BLU/BLK		P1-49	CH 2_RXD -	-	-
21	J1-A6	610138216	30AWG		BRN	10	P1-51	CH 2_CTS +	-	-
22	J1-B6	610138216	30AWG		BRN/WHT		P1-46	CH 2_CTS -	-	-
23	J1-C6	610138216	30AWG		RED OR PNK	11	P1-48	CH 2_RTS +	-	-
24	J1-D6	610138216	30AWG		RED/BLK		P1-45	CH 2_RTS -	-	-
25	J1-A7	610138216	30AWG		YEL	12	P1-44	CH 2_TXD +	-	-
26	J1-B7	610138216	30AWG		YEL/BLK		P1-50	CH 2_TXD -	-	-
27	J1-C7	610138216	30AWG		BLU/GRN	-	P1-43	CH 2_GND	-	-
28	J1-D7	610138216	30AWG		BLU/GRN			CH 3_GND	-	-
29	J1-A8	610138216	30AWG		BLU	13	P1-38	CH 3_RXD +	-	-
30	J1-B8	610138216	30AWG		BLU/BLK		P1-40	CH 3_RXD -	-	-
31	J1-C8	610138216	30AWG		BRN	14	P1-42	CH 3_CTS +	-	-
32	J1-D8	610138216	30AWG		BRN/WHT		P1-37	CH 3_CTS -	-	-
33	J1-A9	610138216	30AWG		RED OR PNK	15	P1-39	CH 3_RTS +	-	-
34	J1-B9	610138216	30AWG		RED/BLK		P1-36	CH 3_RTS -	-	-
35	J1-C9	610138216	30AWG		YEL	16	P1-35	CH 3_TXD +	-	-
36	J1-D9	610138216	30AWG		YEL/BLK		P1-41	CH 3_TXD -	-	-
37	J1-A10	610138216	30AWG		BLU	17	P1-30	CH 4_RXD +	-	-
38	J1-B10	610138216	30AWG		BLU/BLK		P1-32	CH 4_RXD -	-	-
39	J1-C10	610138216	30AWG		BRN	18	P1-34	CH 4_CTS +	-	-
40	J1-D10	610138216	30AWG		BRN/WHT		P1-29	CH 4_CTS -	-	-
41	J1-A11	610138216	30AWG		RED OR PNK	19	P1-31	CH 4_RTS +	-	-
42	J1-B11	610138216	30AWG		RED/BLK		P1-28	CH 4_RTS -	-	-
43	J1-C11	610138216	30AWG		YEL	20	P1-27	CH 4_TXD +	-	-
44	J1-D11	610138216	30AWG		YEL/BLK		P1-33	CH 4_TXD -	-	-
45	J1-A12	610138216	30AWG		BLU/GRN	-	P1-26	CH 4_GND	-	-
46	J1-B12	610138216	30AWG		BLU/GRN			CH 5_GND	-	-
47	J1-C12	610138216	30AWG		BLU	21	P1-21	CH 5_RXD +	-	-
48	J1-D12	610138216	30AWG		BLU/BLK		P1-23	CH 5_RXD -	-	-
49	J1-A13	610138216	30AWG		BRN	22	P1-25	CH 5_CTS +	-	-
50	J1-B13	610138216	30AWG		BRN/WHT		P1-20	CH 5_CTS -	-	-

Run #	From Location (Conn - Pin)	Contact	Wire AWG	Wire/Patchcord P/N	Wire Color	T/P #	To Location (Conn - Pin)	Signal Desc	Contact	Notes
51	J1-C13	610138216	30AWG	656246	RED OR PNK	23	P1-22	CH 5_RTS +	-	-
52	J1-D13	610138216	30AWG		RED/BLK		P1-19	CH 5_RTS -	-	-
53	J1-A14	610138216	30AWG		YEL	24	P1-18	CH 5_TXD +	-	-
54	J1-B14	610138216	30AWG		YEL/BLK		P1-24	CH 5_TXD -	-	-
55	J1-C14	610138216	30AWG		BLU	25	P1-13	CH 6_RXD +	-	-
56	J1-D14	610138216	30AWG		BLU/BLK		P1-15	CH 6_RXD -	-	-
57	J1-A15	610138216	30AWG		BRN	26	P1-17	CH 6_CTS +	-	-
58	J1-B15	610138216	30AWG		BRN/WHT		P1-12	CH 6_CTS -	-	-
59	J1-C15	610138216	30AWG		RED OR PNK	27	P1-14	CH 6_RTS +	-	-
60	J1-D15	610138216	30AWG		RED/BLK		P1-11	CH 6_RTS -	-	-
61	J1-A16	610138216	30AWG		YEL	28	P1-10	CH 6_TXD +	-	-
62	J1-B16	610138216	30AWG		YEL/BLK		P1-16	CH 6_TXD -	-	-
63	J1-C16	610138216	30AWG		BLU/GRN	-	P1-9	CH 6_GND	-	-
64	J1-D16	610138216	30AWG		BLU/GRN			CH 7_GND	-	-
65	J1-A17	610138216	30AWG		BLU	29	P1-4	CH 7_RXD +	-	-
66	J1-B17	610138216	30AWG		BLU/BLK		P1-6	CH 7_RXD -	-	-
67	J1-C17	610138216	30AWG		BRN	30	P1-8	CH 7_CTS +	-	-
68	J1-D17	610138216	30AWG		BRN/WHT		P1-3	CH 7_CTS -	-	-
69	J1-A18	610138216	30AWG		RED OR PNK	31	P1-5	CH 7_RTS +	-	-
70	J1-B18	610138216	30AWG		RED/BLK		P1-2	CH 7_RTS -	-	-
71	J1-C18	610138216	30AWG		YEL	32	P1-1	CH 7_TXD +	-	-
72	J1-D18	610138216	30AWG		YEL/BLK		P1-7	CH 7_TXD -	-	-

CUSTOMER DRAWING - CUSTOMER DRAWING - CUSTOMER DRAWING

THE INFORMATION CONTAINED HEREIN IS THE EXCLUSIVE PROPERTY OF VIRGINIA PANEL CORPORATION AND IS SUBMITTED FOR USE BY THE CUSTOMER ONLY. THE DATA SHALL NOT BE DUPLICATED, USED, OR DISCLOSED IN WHOLE OR IN PART FOR ANY PURPOSE OTHER THAN TO MAINTAIN THE EQUIPMENT PROVIDED.

DWG.NO.		540205040X40		REV	C
SIZE	SCALE	CAGE CODE	SHEET		
B	NONE	18117	2 OF 3		

DO NOT SCALE DRAWING

Run #	From Location (Conn - Pin)	Contact	Wire AWG	Wire/Patchcord P/N	Wire Color	T/P #	To Location (Conn - Pin)	Signal Desc	Contact	Notes
73	J1-A19	610138216	30AWG	656246	BLU	33	P2-64	CH 8_RXD +	-	-
74	J1-B19	610138216	30AWG		BLU/BLK		P2-66	CH 8_RXD -	-	-
75	J1-C19	610138216	30AWG		BRN	34	P2-68	CH 8_CTS +	-	-
76	J1-D19	610138216	30AWG		BRN/WHT		P2-63	CH 8_CTS -	-	-
77	J1-A20	610138216	30AWG		RED OR PNK	35	P2-65	CH 8_RTS +	-	-
78	J1-B20	610138216	30AWG		RED/BLK		P2-62	CH 8_RTS -	-	-
79	J1-C20	610138216	30AWG		YEL	36	P2-61	CH 8_TXD +	-	-
80	J1-D20	610138216	30AWG		YEL/BLK		P2-67	CH 8_TXD -	-	-
81	J1-A21	610138216	30AWG		BLU/GRN	-	P2-60	CH 8_GND	-	-
82	J1-B21	610138216	30AWG		BLU/GRN			CH 9_GND	-	-
83	J1-C21	610138216	30AWG		BLU	37	P2-55	CH 9_RXD +	-	-
84	J1-D21	610138216	30AWG		BLU/BLK		P2-57	CH 9_RXD -	-	-
85	J1-A22	610138216	30AWG		BRN	38	P2-59	CH 9_CTS +	-	-
86	J1-B22	610138216	30AWG		BRN/WHT		P2-54	CH 9_CTS -	-	-
87	J1-C22	610138216	30AWG		RED OR PNK	39	P2-56	CH 9_RTS +	-	-
88	J1-D22	610138216	30AWG		RED/BLK		P2-53	CH 9_RTS -	-	-
89	J1-A23	610138216	30AWG		YEL	40	P2-52	CH 9_TXD +	-	-
90	J1-B23	610138216	30AWG		YEL/BLK		P2-58	CH 9_TXD -	-	-
91	J1-C23	610138216	30AWG		BLU	41	P2-47	CH 10_RXD +	-	-
92	J1-D23	610138216	30AWG		BLU/BLK		P2-49	CH 10_RXD -	-	-
93	J1-A24	610138216	30AWG		BRN	42	P2-51	CH 10_CTS +	-	-
94	J1-B24	610138216	30AWG		BRN/WHT		P2-46	CH 10_CTS -	-	-
95	J1-C24	610138216	30AWG		RED OR PNK	43	P2-48	CH 10_RTS +	-	-
96	J1-D24	610138216	30AWG		RED/BLK		P2-45	CH 10_RTS -	-	-
97	J1-A25	610138216	30AWG		YEL	44	P2-44	CH 10_TXD +	-	-
98	J1-B25	610138216	30AWG		YEL/BLK		P2-50	CH 10_TXD -	-	-
99	J1-C25	610138216	30AWG		BLU/GRN	-	P2-43	CH 10_GND	-	-
100	J1-D25	610138216	30AWG		BLU/GRN			CH 11_GND	-	-
101	J1-A26	610138216	30AWG		BLU	45	P2-38	CH 11_RXD +	-	-
102	J1-B26	610138216	30AWG		BLU/BLK		P2-40	CH 11_RXD -	-	-
103	J1-C26	610138216	30AWG		BRN	46	P2-42	CH 11_CTS +	-	-
104	J1-D26	610138216	30AWG		BRN/WHT		P2-37	CH 11_CTS -	-	-
105	J1-A27	610138216	30AWG		RED OR PNK	47	P2-39	CH 11_RTS +	-	-
106	J1-B27	610138216	30AWG	RED/BLK	P2-36		CH 11_RTS -	-	-	
107	J1-C27	610138216	30AWG	YEL	48	P2-35	CH 11_TXD +	-	-	
108	J1-D27	610138216	30AWG	YEL/BLK		P2-41	CH 11_TXD -	-	-	
109	J1-A28	610138216	30AWG	BLU	49	P2-30	CH 12_RXD +	-	-	
110	J1-B28	610138216	30AWG	BLU/BLK		P2-32	CH 12_RXD -	-	-	
111	J1-C28	610138216	30AWG	BRN	50	P2-34	CH 12_CTS +	-	-	
112	J1-D28	610138216	30AWG	BRN/WHT		P2-29	CH 12_CTS -	-	-	
113	J1-A29	610138216	30AWG	RED OR PNK	51	P2-31	CH 12_RTS +	-	-	
114	J1-B29	610138216	30AWG	RED/BLK		P2-28	CH 12_RTS -	-	-	
115	J1-C29	610138216	30AWG	YEL	52	P2-27	CH 12_TXD +	-	-	
116	J1-D29	610138216	30AWG	YEL/BLK		P2-33	CH 12_TXD -	-	-	
117	J1-A30	610138216	30AWG	BLU/GRN	-	P2-26	CH 12_GND	-	-	
118	J1-B30	610138216	30AWG	BLU/GRN			CH 13_GND	-	-	
119	J1-C30	610138216	30AWG	BLU	53	P2-21	CH 13_RXD +	-	-	
120	J1-D30	610138216	30AWG	BLU/BLK		P2-23	CH 13_RXD -	-	-	
121	J1-A31	610138216	30AWG	BRN	54	P2-25	CH 13_CTS +	-	-	
122	J1-B31	610138216	30AWG	BRN/WHT		P2-20	CH 13_CTS -	-	-	

Run #	From Location (Conn - Pin)	Contact	Wire AWG	Wire/Patchcord P/N	Wire Color	T/P #	To Location (Conn - Pin)	Signal Desc	Contact	Notes
123	J1-C31	610138216	30AWG	656246	RED OR PNK	55	P2-22	CH 13_RTS +	-	-
124	J1-D31	610138216	30AWG		RED/BLK		P2-19	CH 13_RTS -	-	-
125	J1-A32	610138216	30AWG		YEL	56	P2-18	CH 13_TXD +	-	-
126	J1-B32	610138216	30AWG		YEL/BLK		P2-24	CH 13_TXD -	-	-
127	J1-C32	610138216	30AWG		BLU	57	P2-13	CH 14_RXD +	-	-
128	J1-D32	610138216	30AWG		BLU/BLK		P2-15	CH 14_RXD -	-	-
129	J1-A33	610138216	30AWG		BRN	58	P2-17	CH 14_CTS +	-	-
130	J1-B33	610138216	30AWG		BRN/WHT		P2-12	CH 14_CTS -	-	-
131	J1-C33	610138216	30AWG		RED OR PNK	59	P2-14	CH 14_RTS +	-	-
132	J1-D33	610138216	30AWG		RED/BLK		P2-11	CH 14_RTS -	-	-
133	J1-A34	610138216	30AWG		YEL	60	P2-10	CH 14_TXD +	-	-
134	J1-B34	610138216	30AWG		YEL/BLK		P2-16	CH 14_TXD -	-	-
135	J1-C34	610138216	30AWG		BLU/GRN	-	P2-9	CH 14_GND	-	-
136	J1-D34	610138216	30AWG		BLU/GRN			CH 15_GND	-	-
137	J1-A35	610138216	30AWG		BLU	61	P2-4	CH 15_RXD +	-	-
138	J1-B35	610138216	30AWG		BLU/BLK		P2-6	CH 15_RXD -	-	-
139	J1-C35	610138216	30AWG		BRN	62	P2-8	CH 15_CTS +	-	-
140	J1-D35	610138216	30AWG		BRN/WHT		P2-3	CH 15_CTS -	-	-
141	J1-A36	610138216	30AWG		RED OR PNK	63	P2-5	CH 15_RTS +	-	-
142	J1-B36	610138216	30AWG		RED/BLK		P2-2	CH 15_RTS -	-	-
143	J1-C36	610138216	30AWG		YEL	64	P2-1	CH 15_TXD +	-	-
144	J1-D36	610138216	30AWG		YEL/BLK		P2-7	CH 15_TXD -	-	-

CUSTOMER DRAWING - CUSTOMER DRAWING - CUSTOMER DRAWING

THE INFORMATION CONTAINED HEREIN IS THE EXCLUSIVE PROPERTY OF VIRGINIA PANEL CORPORATION AND IS SUBMITTED FOR USE BY THE CUSTOMER ONLY. THE DATA SHALL NOT BE DUPLICATED, USED, OR DISCLOSED IN WHOLE OR IN PART FOR ANY PURPOSE OTHER THAN TO MAINTAIN THE EQUIPMENT PROVIDED.

DWG.NO.		540205040X40		REV	C
SIZE	SCALE	CAGE CODE	SHEET		
B	NONE	18117	3 OF 3		

DO NOT SCALE DRAWING