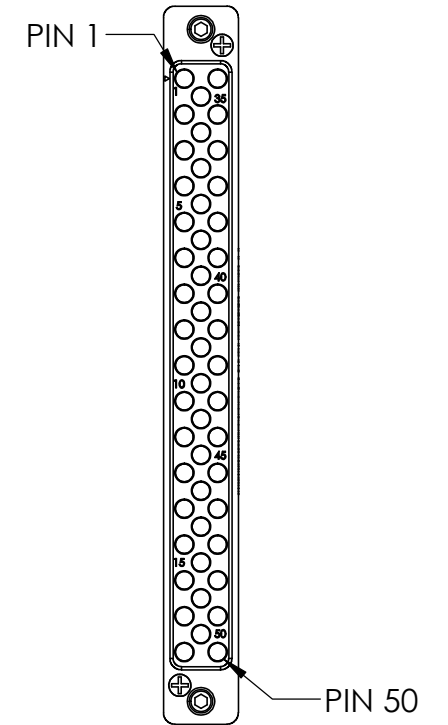
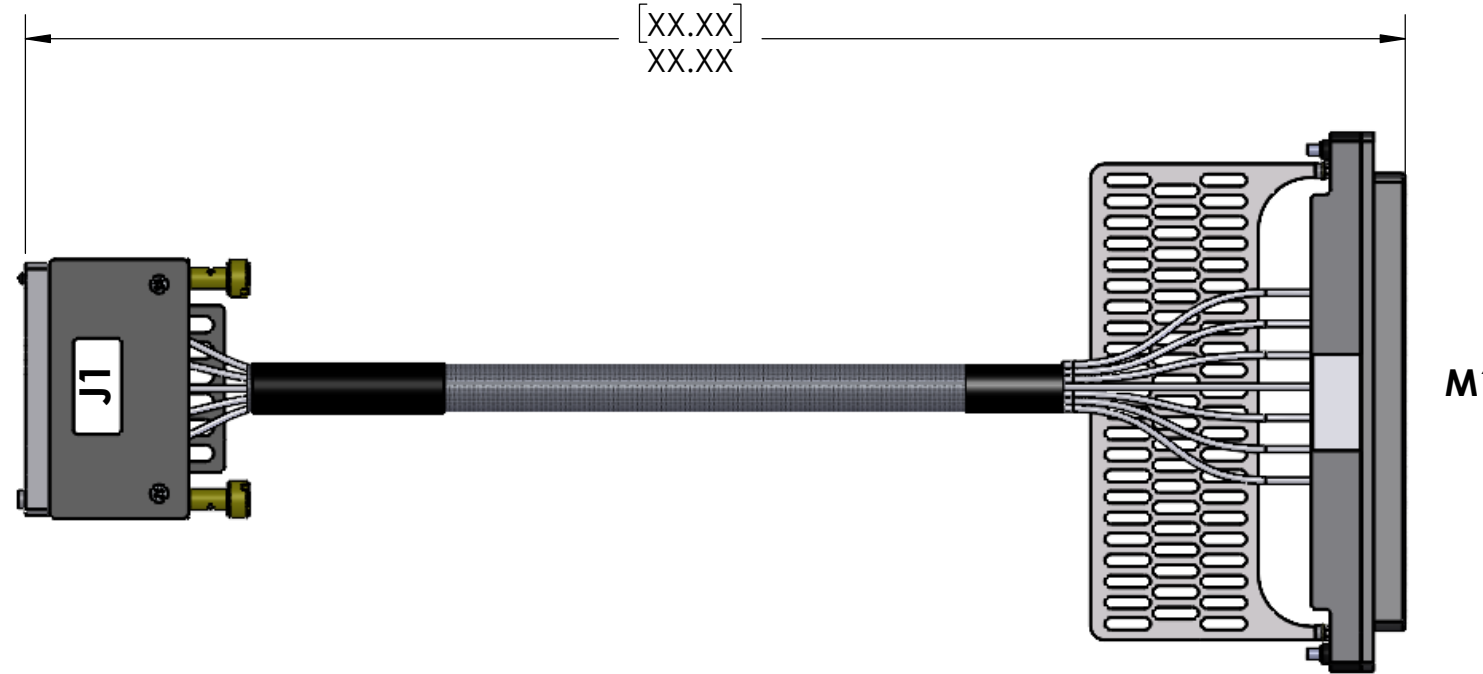
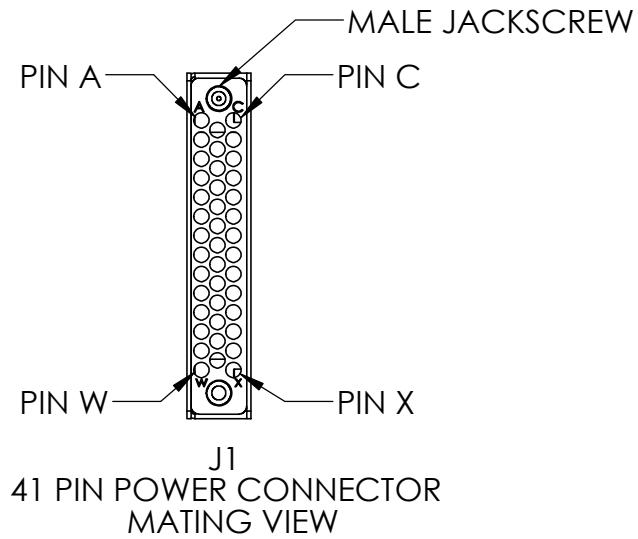


DO NOT SCALE DRAWING

THE INFORMATION CONTAINED HEREIN IS THE EXCLUSIVE PROPERTY OF VIRGINIA PANEL CORPORATION AND IS SUBMITTED FOR USE BY THE CUSTOMER ONLY. THE DATA SHALL NOT BE DUPLICATED, USED, OR DISCLOSED IN WHOLE OR IN PART FOR ANY PURPOSE OTHER THAN TO MAINTAIN THE EQUIPMENT PROVIDED. CONSULT WITH VIRGINIA PANEL CORPORATION ENGINEERING IF MORE DETAIL IS REQUIRED.

REV	DESCRIPTION	DATE	ENGINEER
E	ECN #13708	9/28/23	C CHILDRESS



Run #	From Connector	From Pin	Wire AWG	Wire Color	T/P #	To Connector	To Pin	Run #	From Connector	From Pin	Wire AWG	Wire Color	T/P #	To Connector	To Pin
1	M1	1	14	WHT	-	J1	A	22	M1	22	14	WHT	-	J1	Z
2	M1	2	14	WHT	-	J1	B	23	M1	23	14	WHT	-	J1	a
3	M1	3	14	WHT	-	J1	C	24	M1	24	14	WHT	-	J1	b
4	M1	4	14	WHT	-	J1	D	25	M1	25	14	WHT	-	J1	c
5	M1	5	14	WHT	-	J1	E	26	M1	26	14	WHT	-	J1	d
6	M1	6	14	WHT	-	J1	F	27	M1	27	14	WHT	-	J1	e
7	M1	7	14	WHT	-	J1	H	28	M1	28	14	WHT	-	J1	f
8	M1	8	14	WHT	-	J1	J	29	M1	29	14	WHT	-	J1	h
9	M1	9	14	WHT	-	J1	K	30	M1	30	14	WHT	-	J1	j
10	M1	10	14	WHT	-	J1	L	31	M1	31	14	WHT	-	J1	k
11	M1	11	14	WHT	-	J1	M	32	M1	32	14	WHT	-	J1	m
12	M1	12	14	WHT	-	J1	N	33	M1	33	14	WHT	-	J1	n
13	M1	13	14	WHT	-	J1	P	34	M1	34	14	WHT	-	J1	p
14	M1	14	14	WHT	-	J1	R	35	M1	35	14	WHT	-	J1	r
15	M1	15	14	WHT	-	J1	S	36	M1	36	14	WHT	-	J1	s
16	M1	16	14	WHT	-	J1	T	37	M1	37	14	WHT	-	J1	t
17	M1	17	14	WHT	-	J1	U	38	M1	38	14	WHT	-	J1	u
18	M1	18	14	WHT	-	J1	V	39	M1	39	14	WHT	-	J1	v
19	M1	19	14	WHT	-	J1	W	40	M1	40	14	WHT	-	J1	w
20	M1	20	14	WHT	-	J1	X	41	M1	41	14	WHT	-	J1	x
21	M1	21	14	WHT	-	J1	Y								

2. MATING MODULE: (1) 510108262
MATING PATCHCORDS: (41) 7-251914000-036

VPC P/N 540249010X47 WHERE X =	LENGTH XX.XX"	CUSTOMER DRAWING  CBA, RCV, MicroPWR to 41-Pin J1 PWR Conn f/ VTI EX1200-2001 Switch Module	
1	20.00" [508]		
2	36.00" [914]		
6	48.00" [1219]		
9	60.00" [1524]		
5	72.00" [1829]	RELATIVE CONNECTOR POSITIONS AND WIRE ROUTING ARE GENERIC AND MAY VARY WITH PINOUT	DIMENSIONS ARE SHOWN AS:
[MILLIMETERS]		[INCHES]	
DWG.NO. 540249010X47		REV E	
SIZE B	SCALE NONE	CAGE CODE 18117	SHEET 1 OF 1