

4

3

2

1

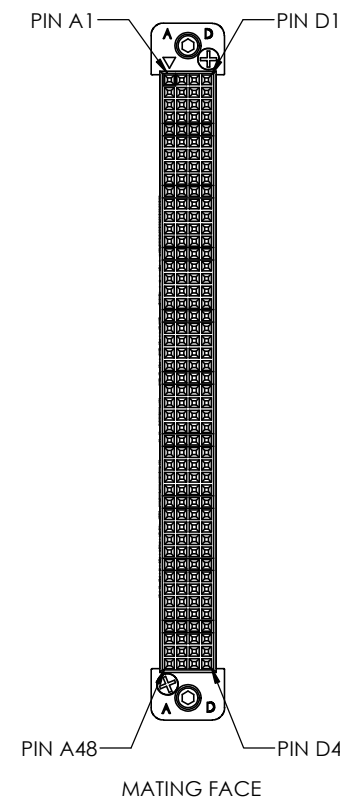
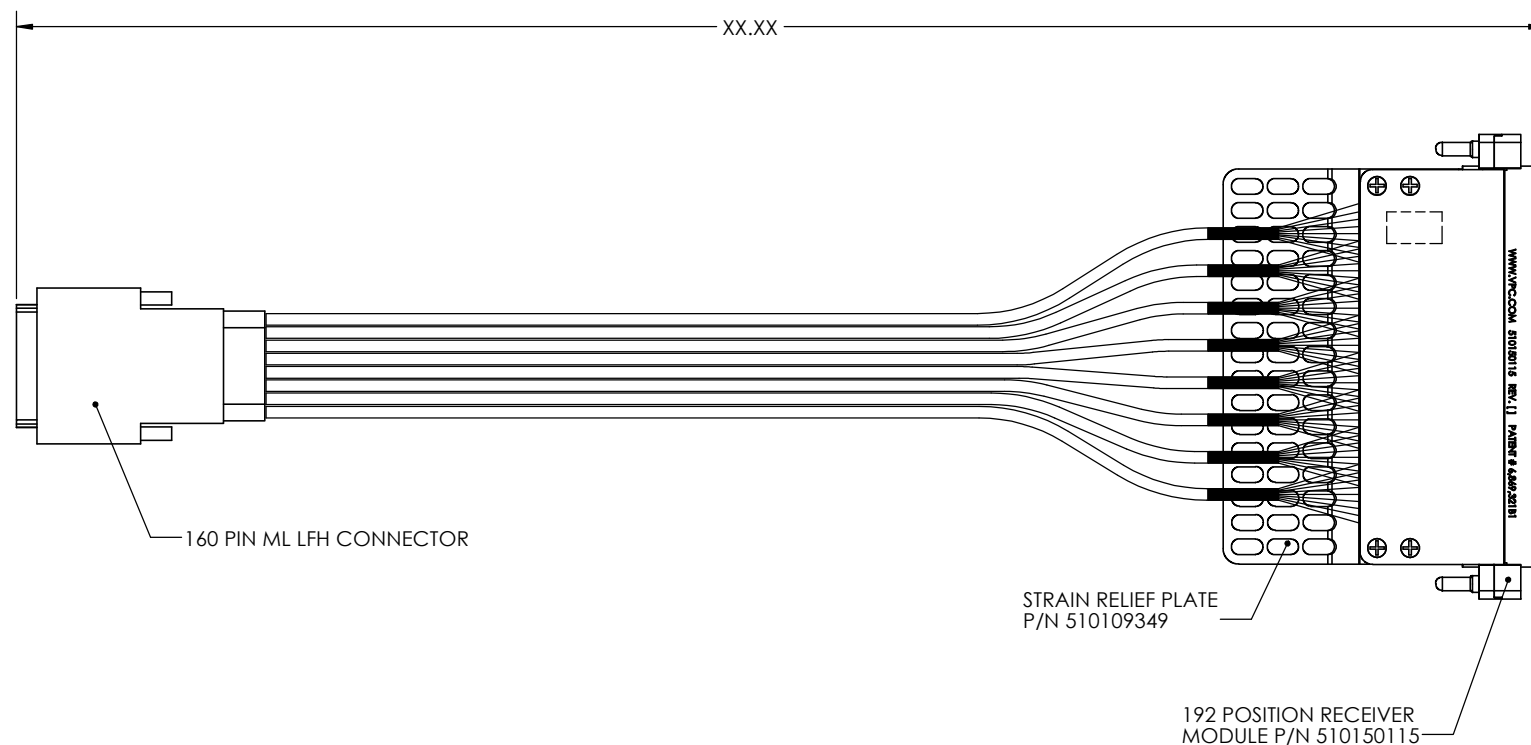
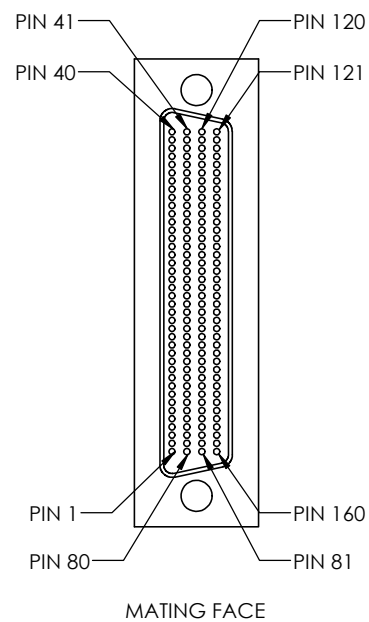
DO NOT SCALE DRAWING

THE INFORMATION CONTAINED HEREIN IS THE EXCLUSIVE PROPERTY OF VIRGINIA PANEL CORPORATION AND IS SUBMITTED FOR USE BY THE CUSTOMER ONLY. THE DATA SHALL NOT BE DUPLICATED, USED, OR DISCLOSED IN WHOLE OR IN PART FOR ANY PURPOSE OTHER THAN TO MAINTAIN THE EQUIPMENT PROVIDED. CONSULT WITH VIRGINIA PANEL CORPORATION ENGINEERING IF MORE DETAIL IS REQUIRED.

REVISIONS			
REV	DESCRIPTION	DATE	ENGR
E	ECN #4844	9/19/13	L LOCKRIDGE

D
C
B
A

D
C
B
A



2. MATING ITA PATCHCORDS P/N 7-121424000-036 QTY 84
MATING ITA MODULE P/N 510151105

VPC P/N 540262010X40 WHERE X =	LENGTH XX.XX"
1	20.00" [508]
2	36.00" [914]
6	48.00" [1219]
9	60.00" [1524]
5	72.00" [1829]

RELATIVE CONNECTOR POSITIONS AND WIRE ROUTING ARE GENERIC AND MAY VARY WITH PINOUT

DIMENSIONS ARE SHOWN AS:
[MILLIMETERS]
INCHES

CUSTOMER DRAWING

VPC

Signal, CBA, RCV, QP to
ML 160-pin LFH for NI PXI-2530B

SIZE	CAGE CODE	DWG. NO.	REV
C	18117	540262010X40	E
SCALE: NONE		540262010X40	9/22/11
		SHEET	1 OF 2

4

3

2

1

COLOR	LFH PIN	VPC MODULE
BLACK	122	A1
BROWN	121	B1
RED	124	C1
ORANGE	123	D1
YELLOW	126	A2
GREEN	125	B2
BLUE	128	C2
PURPLE	127	D2
GRAY	130	A3
WHITE	129	B3
PINK	119	C3
LIGHT GREEN	120	D3
BLACK/WHITE	117	A4
BROWN/WHITE	118	B4
RED/WHITE	115	C4
ORANGE/WHITE	116	D4
GREEN/WHITE	113	A5
BLUE/WHITE	114	B5
PURPLE/WHITE	111	C5
RED/BLACK	112	D5
BRAIDED SHIELD	SHELL	A6
BLACK	132	B6
BROWN	131	C6
RED	134	D6
ORANGE	133	A7
YELLOW	136	B7
GREEN	135	C7
BLUE	138	NC
PURPLE	137	A8
GRAY	140	NC
WHITE	139	C8
PINK	109	D8
LIGHT GREEN	110	A9
BLACK/WHITE	107	B9
BROWN/WHITE	108	C9
RED/WHITE	105	D9
ORANGE/WHITE	106	A10
GREEN/WHITE	103	B10
BLUE/WHITE	104	C10
PURPLE/WHITE	101	NC
RED/BLACK	102	NC
BRAIDED SHIELD	SHELL	B11

COLOR	LFH PIN	VPC MODULE
BLACK	52	A13
BROWN	51	B13
RED	54	C13
ORANGE	53	D13
YELLOW	56	A14
GREEN	55	B14
BLUE	58	C14
PURPLE	57	D14
GRAY	60	NC
WHITE	59	NC
PINK	29	C15
LIGHT GREEN	30	D15
BLACK/WHITE	27	A16
BROWN/WHITE	28	B16
RED/WHITE	25	C16
ORANGE/WHITE	26	D16
GREEN/WHITE	23	NC
BLUE/WHITE	24	B17
PURPLE/WHITE	21	NC
RED/BLACK	22	NC
BRAIDED SHIELD	SHELL	A18
BLACK	42	B18
BROWN	41	C18
RED	44	D18
ORANGE	43	A19
YELLOW	46	B19
GREEN	45	C19
BLUE	48	D19
PURPLE	47	A20
GRAY	50	B20
WHITE	49	C20
PINK	39	D20
LIGHT GREEN	40	A21
BLACK/WHITE	37	B21
BROWN/WHITE	38	C21
RED/WHITE	35	D21
ORANGE/WHITE	36	A22
GREEN/WHITE	33	B22
BLUE/WHITE	34	C22
PURPLE/WHITE	31	D22
RED/BLACK	32	A23
BRAIDED SHIELD	SHELL	B23

COLOR	LFH PIN	VPC MODULE
BLACK	72	A25
BROWN	71	B25
RED	74	C25
ORANGE	73	D25
YELLOW	76	A26
GREEN	75	B26
BLUE	78	NC
PURPLE	77	NC
GRAY	80	NC
WHITE	79	NC
PINK	9	C27
LIGHT GREEN	10	D27
BLACK/WHITE	7	A28
BROWN/WHITE	8	B28
RED/WHITE	5	C28
ORANGE/WHITE	6	D28
GREEN/WHITE	3	A29
BLUE/WHITE	4	B29
PURPLE/WHITE	1	C29
RED/BLACK	2	NC
BRAIDED SHIELD	SHELL	A30
BLACK	62	B30
BROWN	61	C30
RED	64	D30
ORANGE	63	A31
YELLOW	66	B31
GREEN	65	C31
BLUE	68	D31
PURPLE	67	A32
GRAY	70	B32
WHITE	69	C32
PINK	19	D32
LIGHT GREEN	20	A33
BLACK/WHITE	17	B33
BROWN/WHITE	18	C33
RED/WHITE	15	D33
ORANGE/WHITE	16	A34
GREEN/WHITE	13	B34
BLUE/WHITE	14	C34
PURPLE/WHITE	11	D34
RED/BLACK	12	A35
BRAIDED SHIELD	SHELL	B35

COLOR	LFH PIN	VPC MODULE
BLACK	142	A37
BROWN	141	B37
RED	144	C37
ORANGE	143	D37
YELLOW	146	A38
GREEN	145	B38
BLUE	148	C38
PURPLE	147	D38
GRAY	150	A39
WHITE	149	B39
PINK	99	C39
LIGHT GREEN	100	D39
BLACK/WHITE	97	A40
BROWN/WHITE	98	B40
RED/WHITE	95	C40
ORANGE/WHITE	96	D40
GREEN/WHITE	93	A41
BLUE/WHITE	94	B41
PURPLE/WHITE	91	C41
RED/BLACK	92	D41
BRAIDED SHIELD	SHELL	A42
BLACK	152	B42
BROWN	151	C42
RED	154	D42
ORANGE	153	A43
YELLOW	156	B43
GREEN	155	C43
BLUE	158	D43
PURPLE	157	A44
GRAY	160	NC
WHITE	159	C44
PINK	89	D44
LIGHT GREEN	90	A45
BLACK/WHITE	87	B45
BROWN/WHITE	88	C45
RED/WHITE	85	D45
ORANGE/WHITE	86	A46
GREEN/WHITE	83	B46
BLUE/WHITE	84	C46
PURPLE/WHITE	81	D46
RED/BLACK	82	A47
BRAIDED SHIELD	SHELL	B47

D
C
B
A

D
C
B
A

DO NOT SCALE DRAWING

CUSTOMER DRAWING - CUSTOMER DRAWING - CUSTOMER DRAWING

THE INFORMATION CONTAINED HEREIN IS THE EXCLUSIVE PROPERTY OF VIRGINIA PANEL CORPORATION AND IS SUBMITTED FOR USE BY THE CUSTOMER ONLY. THE DATA SHALL NOT BE DUPLICATED, USED, OR DISCLOSED IN WHOLE OR IN PART FOR ANY PURPOSE OTHER THAN TO MAINTAIN THE EQUIPMENT PROVIDED.

SIZE	CAGE CODE	DWG. NO.	REV
C	18117	540262010X40	E
SCALE: NONE	540262010X40	9/22/11	SHEET 2 OF 2

4

3

2

1

4

3

2

1