

4

3

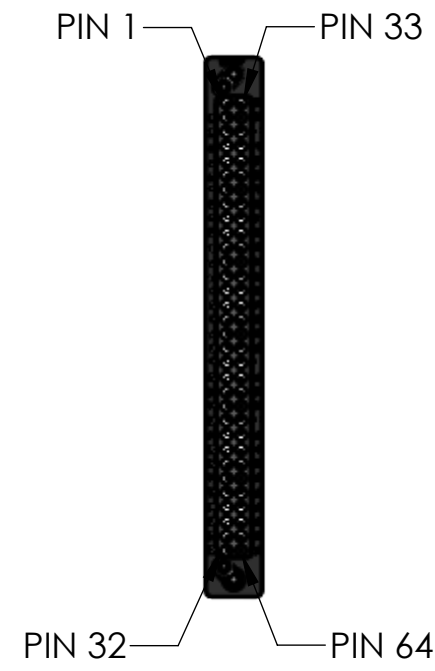
2

1

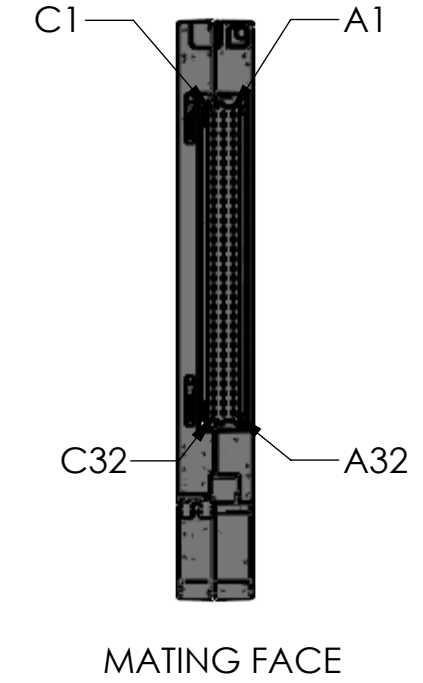
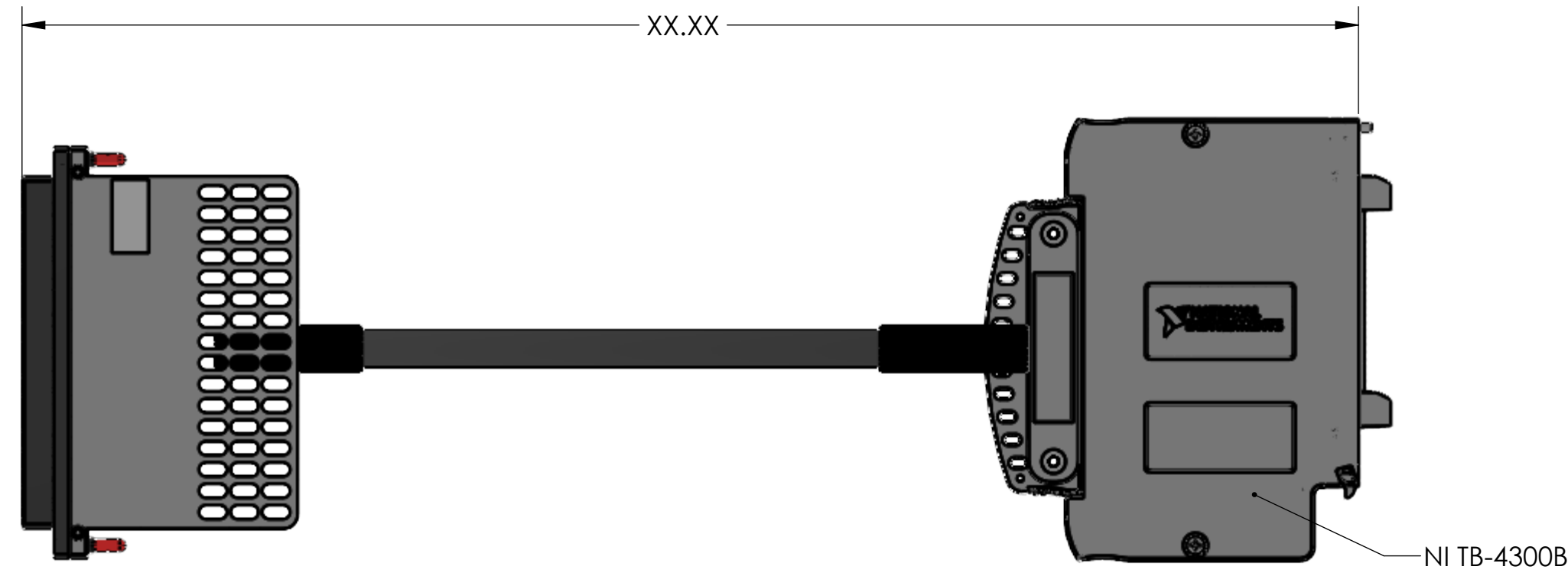
DO NOT SCALE DRAWING

THE INFORMATION CONTAINED HEREIN IS THE EXCLUSIVE PROPERTY OF VIRGINIA PANEL CORPORATION AND IS SUBMITTED FOR USE BY THE CUSTOMER ONLY. THE DATA SHALL NOT BE DUPLICATED, USED, OR DISCLOSED IN WHOLE OR IN PART FOR ANY PURPOSE OTHER THAN TO MAINTAIN THE EQUIPMENT PROVIDED. CONSULT WITH VIRGINIA PANEL CORPORATION ENGINEERING IF MORE DETAIL IS REQUIRED.

REVISIONS			
REV	DESCRIPTION	DATE	ENGR
D	ECN #10400	6/17/2020	C MCCURRY



MATING FACE
MODULE P/N
510104134



Run #	TB-4300B SCREW TERMINAL	Wire AWG	Wire Color	T/P #	To Location (Conn - Pin)
1	A10+	24	WHT	1	1
2	A10-	24	WHT/BLU	1	2
3	COM0	24	WHT/BLK	SHIELD 1	3
4	A11+	24	WHT	2	4
5	A11-	24	WHT/BLU	2	5
6	COM1	24	WHT/BLK	SHIELD 2	6
7	A12+	24	WHT	3	7
8	A12-	24	WHT/BLU	3	8
9	COM2	24	WHT/BLK	SHIELD 3	9
10	A13+	24	WHT	4	10
11	A13-	24	WHT/BLU	4	11
12	COM3	24	WHT/BLK	SHIELD 4	12
13	A14+	24	WHT	5	13
14	A14-	24	WHT/BLU	5	14
15	COM4	24	WHT/BLK	SHIELD 5	15
16	A15+	24	WHT	6	16
17	A15-	24	WHT/BLU	6	17
18	COM5	24	WHT/BLK	SHIELD 6	18
19	A16+	24	WHT	7	19
20	A16-	24	WHT/BLU	7	20
21	COM6	24	WHT/BLK	SHIELD 7	21
22	A17+	24	WHT	8	22
23	A17-	24	WHT/BLU	8	23
24	COM7	24	WHT/BLK	SHIELD 8	24
25	PFI0	24	WHT	-	25
26	PFI1	24	WHT	-	26

VPC P/N 540281010X01 WHERE X =	LENGTH XX.XX"	CUSTOMER DRAWING		
1	20.00" [508]	VPC CBA, RCV, TRIPADDLE TO NI TB-4300B		
2	36.00" [914]			
6	48.00" [1219]			
9	60.00" [1524]			
5	72.00" [1829]			
RELATIVE CONNECTOR POSITIONS AND WIRE ROUTING ARE GENERIC AND MAY VARY WITH PINOUT		DIMENSIONS ARE SHOWN AS:		
[MILLIMETERS]		SIZE	CAGE CODE	DWG. NO.
INCHES		C	18117	540281010X01
		SCALE: NONE	540281010X01 6/26/13	SHEET 1 OF 1

2. MATING MODULE 510108101 QTY 1
MATING PATCHCORDS 7-103964000-036 QTY 2, 7-103425000-036 QTY 8

NOTES:

4

3

2

1