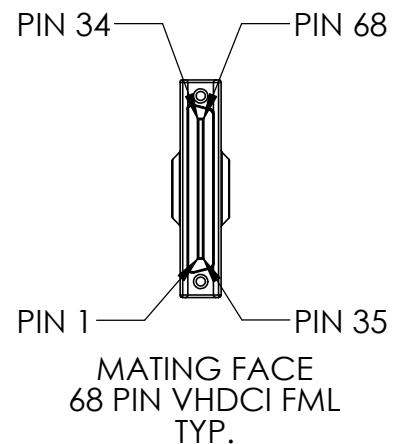
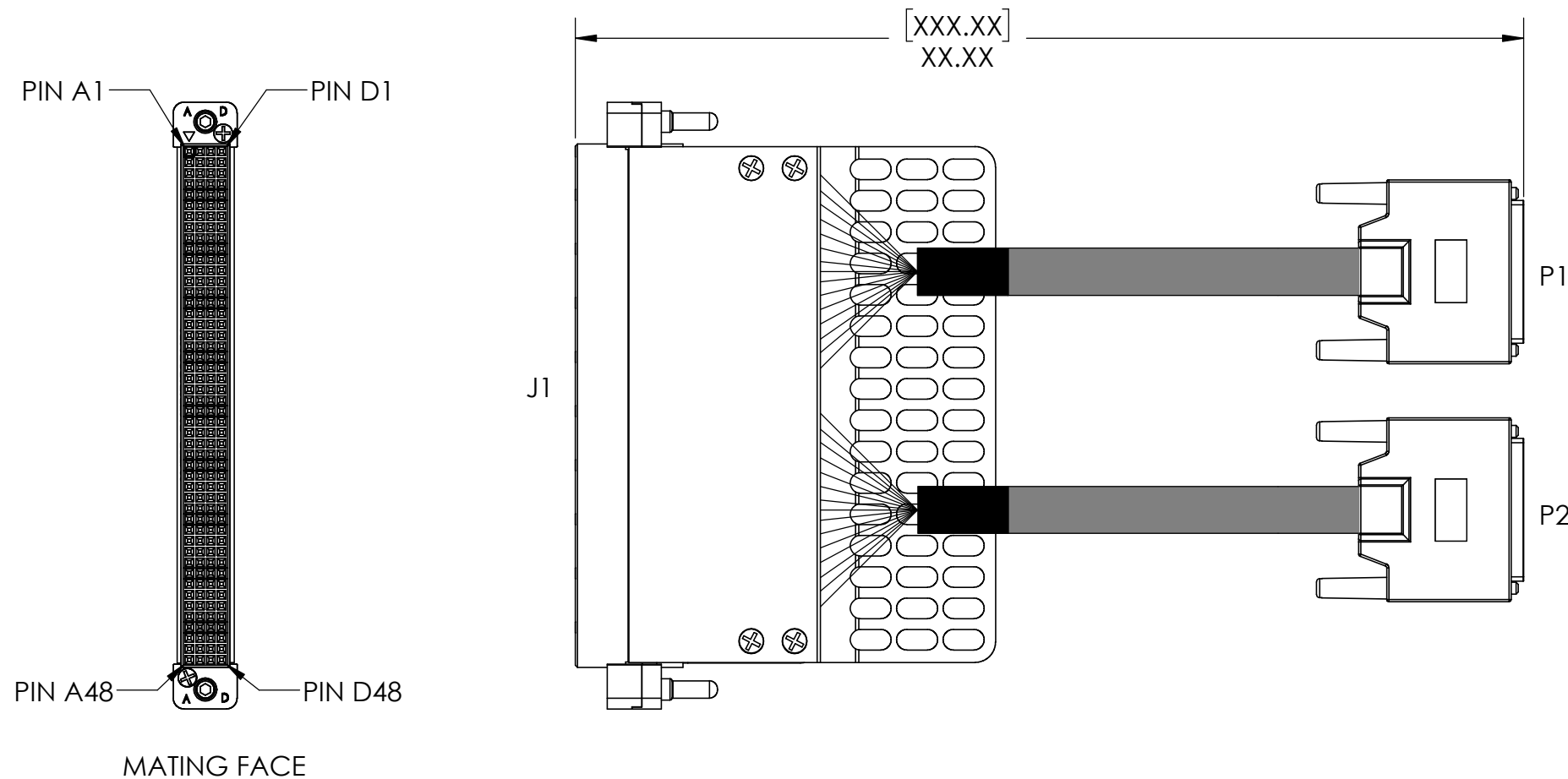


DO NOT SCALE DRAWING

THE INFORMATION CONTAINED HEREIN IS THE EXCLUSIVE PROPERTY OF VPC AND IS PERMITTED FOR USE BY THE CUSTOMER ONLY. THE DATA SHALL NOT BE DUPLICATED, USED, OR DISCLOSED IN WHOLE OR IN PART FOR ANY PURPOSE OTHER THAN TO MAINTAIN THE EQUIPMENT PROVIDED. CONSULT WITH VPC ENGINEERING IF MORE DETAIL IS REQUIRED.

REV	DESCRIPTION	DATE	ENGINEER
C	ECN# 13223	2/22/2023	L. SALE



- 2. VPC MATING MODULE: 510151105 (1)
- VPC ITA PATCHCORDS: 7-121425000-036 (8)
- VPC ITA PATCHCORDS: 7-121424000-036 (24)
- VPC ITA PATCHCORDS: 7-121924000-036 (7)
- VPC ITA PATCHCORDS: 7-121974000-036 (40)

1. FOR MORE INFORMATION VISIT VPC.COM

NOTES:

VPC P/N 540335010X40 WHERE X =	LENGTH XX.XX"	CUSTOMER DRAWING	
1	20.00" [508]	 CBA RCV QP TO RDIO & RMIO	
2	36.00" [914]		
6	48.00" [1219]		
9	60.00" [1524]		
5	72.00" [1829]		
RELATIVE CONNECTOR POSITIONS AND WIRE ROUTING ARE GENERIC AND MAY VARY WITH PINOUT		DIMENSIONS ARE SHOWN AS: [MILLIMETERS] INCHES	
DWG.NO. 540335010X40		REV C	
SIZE B	SCALE NONE	CAGE CODE 18117	SHEET 1 OF 1

Run #	From Location (Conn - Pin)	Contact	Wire AWG	Wire/Patchcord P/N	Wire Color	Wire Color (ALT.)	T/P #	Bundle	To Location (Conn - Pin)	Signal Desc	Contact	Label P/N	Notes
1	J1-A1	610138216	30	VFL138124-XXX	WHITE/TAN	WHITE/RED	1	BUNDLE 1	P1-68	AI0+	68 PIN VHDCI	271859	
2	J1-A2	610138216	30		TAN/WHITE	RED/WHITE			P1-34	AI0-			
3	J1-A3	610138216	30		SHIELD	SHIELD			P1-67	AIGND0			
4	J1-A20	610138216	26		BUNDLE 1 SHIELD	BUNDLE 1 SHIELD	-						
5	J1-B1	610138216	30		WHITE/BROWN	WHITE/BROWN	2		P1-66	AI1+			
6	J1-B2	610138216	30		BROWN/WHITE	BROWN/WHITE			P1-32	AI1-			
7	J1-B3	610138216	26		SHIELD	SHIELD	3		P1-33	AIGND1			
8	J1-C1	610138216	30		WHITE/PINK	WHITE/PINK			P1-65	AI2+			
9	J1-C2	610138216	30		PINK/WHITE	PINK/WHITE			P1-31	AI2-			
10	J1-C3	610138216	26		SHIELD	SHIELD	4		P1-64	AIGND2			
11	J1-D1	610138216	30		WHITE/ORANGE	WHITE/ORANGE			P1-63	AI3+			
12	J1-D2	610138216	30		ORNAGE/WHITE	ORNAGE/WHITE	5		P1-29	AI3-			
13	J1-D3	610138216	26		SHIELD	SHIELD			P1-30	AIGND3			
14	J1-A4	610138216	30		WHITE/YELLOW	WHITE/YELLOW	6		P1-62	AI4+			
15	J1-A5	610138216	30		YELLOW/WHITE	YELLOW/WHITE			P1-28	AI4-			
16	J1-A6	610138216	26		SHIELD	SHIELD	7		P1-61	AIGND4			
17	J1-B4	610138216	30		WHITE/GREEN	WHITE/GREEN			P1-60	AI5+			
18	J1-B5	610138216	30		GREEN/WHITE	GREEN/WHITE	8		P1-26	AI5-			
19	J1-B6	610138216	26		SHIELD	SHIELD			P1-27	AIGND5			
20	J1-C4	610138216	30		WHITE/BLUE	WHITE/BLUE	9		P1-59	AI6+			
21	J1-C5	610138216	30		BLUE/WHITE	BLUE/WHITE			P1-25	AI6-			
22	J1-C6	610138216	26		SHIELD	SHIELD	10		P1-58	AIGND6			
23	J1-D4	610138216	30		WHITE/VIOLET	WHITE/VIOLET			P1-57	AI7+			
24	J1-D5	610138216	30		VIOLET/WHITE	VIOLET/WHITE	11		P1-23	AI7-			
25	J1-D6	610138216	26		SHIELD	SHIELD			P1-24	AIGND7			
26	J1-A7	610138216	30		BLACK	BLACK	12		P1-56	AISENSE			
27	J1-A8	610138216	30		WHITE/GREY	WHITE/GREY			P1-55	AO0			
28	J1-A9	610138216	30		GREY/WHITE	GREY/WHITE	13		P1-21	AOGND0			
29	J1-B20	610138216	26		BUNDLE 2 SHIELD	BUNDLE 2 SHIELD							-
30	J1-B7	610138216	30		TAN/BROWN	TAN/RED	14		P1-54	AO1			
31	J1-B8	610138216	30		BROWN/TAN	RED/TAN			P1-20	AOGND1			
32	J1-C7	610138216	30		TAN/PINK	RED/PINK	15		P1-53	AO2			
33	J1-C8	610138216	30		PINK/TAN	PINK/RED			P1-19	AOGND2			
34	J1-D7	610138216	30		TAN/ORANGE	RED/ORANGE	16		P1-52	AO3			
35	J1-D8	610138216	30		ORANGE/TAN	ORANGE/RED			P1-18	AOGND3			
36	J1-A10	610138216	30		TAN/YELLOW	RED/YELLOW	17		P1-51	AO4			
37	J1-A11	610138216	30		YELLOW/TAN	YELLOW/RED			P1-17	AOGND4			
38	J1-B9	610138216	30		TAN/GREEN	RED/GREEN	18		P1-50	AO5			
39	J1-B10	610138216	30		GREEN/TAN	GREEN/RED			P1-16	AOGND5			
40	J1-C9	610138216	30		TAN/BLUE	RED/BLUE	19		P1-49	AO6			
41	J1-C10	610138216	30		BLUE/TAN	BLUE/RED			P1-15	AOGND6			
42	J1-D9	610138216	30		TAN/VIOLET	RED/VIOLET	20		P1-48	AO7			
43	J1-D10	610138216	30		VIOLET/TAN	VIOLET/RED			P1-14	AOGND7			
44	J1-B11	610138216	30		WHITE	WHITE	-		P1-22	EXT REF/NC			

Run #	From Location (Conn - Pin)	Contact	Wire AWG	Wire/Patchcord P/N	Wire Color	Wire Color (ALT.)	T/P #	Bundle	To Location (Conn - Pin)	Signal Desc	Contact	Label P/N	Notes
45	J1-C11	610138216	26	VFL138124-XXX (CONT)	RED	RED	-	BUNDLE 3	P1-35	+5V	68 PIN VHDCI	271859	
46	J1-D11	610138216	26		GREEN	GREEN	-		P1-1	+5V			
47	J1-A12	610138216	30		RED/BLUE	RED/GREY	17		P1-47	DIO15			
48	J1-A13	610138216	30		BLUE/RED	GREY/RED	17		P1-9	DGND			
49	J1-B12	610138216	30		RED/ORANGE	TAN/PINK	18		P1-13	DIO14			
50	J1-B13	610138216	30		ORANGE/RED	PINK/TAN	18		P1-8	DGND			
51	J1-C12	610138216	30		RED/GREEN	TAN/ORANGE	19		P1-46	DIO13			
52	J1-C13	610138216	30		GREEN/RED	ORANGE/TAN	19		P1-7	DGND			
53	J1-D12	610138216	30		RED/BROWN	TAN/YELLOW	20		P1-12	DIO12			
54	J1-D13	610138216	30		BROWN/RED	YELLOW/TAN	20		P1-6	DIGND			
55	J1-A14	610138216	30		RED/GREY	TAN/GREEN	21		P1-45	DIO11			
56	J1-A15	610138216	30		GREY/RED	GREEN/TAN	21		P1-5	DIGND			
57	J1-B14	610138216	30		BLACK/BLUE	TAN/BLUE	22		P1-11	DIO10			
58	J1-B15	610138216	30		BLUE/BLACK	BLUE/TAN	22		P1-4	DIGND			
59	J1-C14	610138216	30		BLACK/ORANGE	TAN/VIOLET	23		P1-44	DIO9			
60	J1-C15	610138216	30		ORANGE/BLACK	VIOLET/TAN	23		P1-3	DIGND			
61	J1-D14	610138216	30		BLACK/GREEN	TAN/GREY	24		P1-10	DIO8			
62	J1-D15	610138216	30		GREEN/BLACK	GREY/TAN	24		P1-2	DIGND			
63	J1-A16	610138216	30		BLACK/BROWN	PINK/ORANGE	25		P1-43	DIO7			
64	J1-A17	610138216	30		BROWN/BLACK	ORANGE/PINK	25		P1-9	DIGND			
65	J1-B16	610138216	30	BLACK/GREY	PINK/YELLOW	26	P1-42	DIO6					
66	J1-B17	610138216	30	GREY/BLACK	YELLOW/PINK	26	P1-8	DIGND					
67	J1-C16	610138216	30	YELLOW/BLUE	PINK/GREEN	27	P1-41	DIO5					
68	J1-C17	610138216	30	BLUE/YELLOW	GREEN/PINK	27	P1-7	DIGND					
69	J1-D16	610138216	30	YELLOW/ORANGE	PINK/BLUE	28	P1-40	DIO4					
70	J1-D17	610138216	30	ORANG/YELLOW	BLUE/PINK	28	P1-6	DIGND					
71	J1-A18	610138216	30	YELLOW/GREEN	PINK/VIOLET	29	P1-39	DIO3					
72	J1-A19	610138216	30	GREEN/YELLOW	VIOLET/PINK	29	P1-5	DIGND					
73	J1-B18	610138216	30	YELLOW/BROWN	PINK/GRAY	30	P1-38	DIO2					
74	J1-B19	610138216	30	BROWN/YELLOW	GRAY/PINK	30	P1-4	DIGND					
75	J1-C18	610138216	30	YELLOW/GREY	YELLOW/ORANGE	31	P1-37	DIO1					
76	J1-C19	610138216	30	GREY/YELLOW	ORANGE/YELLOW	31	P1-3	DIGND					
77	J1-D18	610138216	30	VIOLET/BLUE	ORANGE/GREEN	32	P1-36	DIO0					
78	J1-D19	610138216	30	BLUE/VIOLET	GREEN/ORANGE	32	P1-2	DIGND					
79	J1-D20	610138216	24		OUTER SHIELD	OUTER SHIELD	-	-	SHLD	OUTER SHIELD			

Run #	From Location (Conn - Pin)	Contact	Wire AWG	Wire/Patchcord P/N	Wire Color	Wire Color (ALT.)	T/P #	Bundle	To Location (Conn - Pin)	Signal Desc	Contact	Label P/N	Notes
80	J1-A29	610138216	32 COAX	VFL139124-XXX	CENTER	CENTER	-	-	P2-1	DIO 31	68 PIN VHDCI	271859	
81	J1-B29	610138216			SHIELD	SHIELD	-	-	P2-2	DGND			
82	J1-C29	610138216	32 COAX		CENTER	CENTER	-	-	P2-3	DIO 29			
83	J1-D29	610138216			SHIELD	SHIELD	-	-	P2-4	DGND			
84	J1-A30	610138216	32 COAX		CENTER	CENTER	-	-	P2-5	DIO 27			
85	J1-B30	610138216			SHIELD	SHIELD	-	-	P2-4	DGND			
86	J1-C30	610138216	32 COAX		CENTER	CENTER	-	-	P2-7	DIO 25			
87	J1-D30	610138216			SHIELD	SHIELD	-	-	P2-6	DGND			
88	J1-A31	610138216	32 COAX		CENTER	CENTER	-	-	P2-8	GND			
89	J1-B31	610138216			SHIELD	SHIELD	-	-	P2-6	DGND			
90	J1-C31	610138216	32 COAX		CENTER	CENTER	-	-	P2-9	DIO 23			
91	J1-D31	610138216			SHIELD	SHIELD	-	-	P2-10	DGND			
92	J1-A32	610138216	32 COAX		CENTER	CENTER	-	-	P2-11	DIO 21			
93	J1-B32	610138216			SHIELD	SHIELD	-	-	P2-12	DGND			
94	J1-C32	610138216	32 COAX		CENTER	CENTER	-	-	P2-13	DIO 19			
95	J1-D32	610138216			SHIELD	SHIELD	-	-	P2-14	DGND			
96	J1-A33	610138216	32 COAX		CENTER	CENTER	-	-	P2-15	DIO 17			
97	J1-B33	610138216			SHIELD	SHIELD	-	-	P2-16	DGND			
98	J1-C33	610138216	32 COAX		CENTER	CENTER	-	-	P2-17	DIO 15			
99	J1-D33	610138216		SHIELD	SHIELD	-	-	P2-18	DGND				
100	J1-A34	610138216	32 COAX	CENTER	CENTER	-	-	P2-19	DIO 13				
101	J1-B34	610138216		SHIELD	SHIELD	-	-	P2-20	DGND				
102	J1-C34	610138216	32 COAX	CENTER	CENTER	-	-	P2-21	DIO 11				
103	J1-D34	610138216		SHIELD	SHIELD	-	-	P2-22	DGND				
104	J1-A35	610138216	32 COAX	CENTER	CENTER	-	-	P2-23	DIO 9				
105	J1-B35	610138216		SHIELD	SHIELD	-	-	P2-22	DGND				
106	J1-C35	610138216	32 COAX	CENTER	CENTER	-	-	P2-25	DIO 7				
107	J1-D35	610138216		SHIELD	SHIELD	-	-	P2-24	DGND				
108	J1-A36	610138216	32 COAX	CENTER	CENTER	-	-	P2-26	GND				
109	J1-B36	610138216		SHIELD	SHIELD	-	-	P2-24	DGND				
110	J1-C36	610138216	32 COAX	CENTER	CENTER	-	-	P2-27	DIO 5				
111	J1-D36	610138216		SHIELD	SHIELD	-	-	P2-28	DGND				
112	J1-A37	610138216	32 COAX	CENTER	CENTER	-	-	P2-29	DIO 3				
113	J1-B37	610138216		SHIELD	SHIELD	-	-	P2-28	DGND				
114	J1-C37	610138216	32 COAX	CENTER	CENTER	-	-	P2-30	GND				
115	J1-D37	610138216		SHIELD	SHIELD	-	-	P2-32	DGND				
116	J1-A38	610138216	32 COAX	CENTER	CENTER	-	-	P2-31	DIO 1				
117	J1-B38	610138216		SHIELD	SHIELD	-	-	P2-32	DGND				
118	J1-C38	610138216	32 COAX	CENTER	CENTER	-	-	P2-33	GND				
119	J1-D38	610138216		SHIELD	SHIELD	-	-	P2-34	DGND				

Run #	From Location (Conn - Pin)	Contact	Wire AWG	Wire/Patchcord P/N	Wire Color	Wire Color (ALT.)	T/P #	Bundle	To Location (Conn - Pin)	Signal Desc	Contact	Label P/N	Notes
120	J1-A39	610138216	32 COAX	VFL139124-XXX (CONT)	CENTER	CENTER	-	-	P2-35	DIO 30	68 PIN VHDCI	271859	
121	J1-B39	610138216			SHIELD	SHIELD	-	-	P2-36	DGND			
122	J1-C39	610138216	32 COAX		CENTER	CENTER	-	-	P2-37	DIO 28			
123	J1-D39	610138216			SHIELD	SHIELD	-	-	P2-38	DGND			
124	J1-A40	610138216	32 COAX		CENTER	CENTER	-	-	P2-39	DIO 26			
125	J1-B40	610138216			SHIELD	SHIELD	-	-	P2-40	DGND			
126	J1-C40	610138216	32 COAX		CENTER	CENTER	-	-	P2-41	DIO 24			
127	J1-D40	610138216			SHIELD	SHIELD	-	-	P2-42	DGND			
128	J1-A41	610138216	32 COAX		CENTER	CENTER	-	-	P2-43	DIO 22			
129	J1-B41	610138216			SHIELD	SHIELD	-	-	P2-44	DGND			
130	J1-C41	610138216	32 COAX		CENTER	CENTER	-	-	P2-45	DIO 20			
131	J1-D41	610138216			SHIELD	SHIELD	-	-	P2-46	DGND			
132	J1-A42	610138216	32 COAX		CENTER	CENTER	-	-	P2-47	DIO 18			
133	J1-B42	610138216			SHIELD	SHIELD	-	-	P2-48	DGND			
134	J1-C42	610138216	32 COAX		CENTER	CENTER	-	-	P2-49	DIO 16			
135	J1-D42	610138216			SHIELD	SHIELD	-	-	P2-48	DGND			
136	J1-A43	610138216	32 COAX		CENTER	CENTER	-	-	P2-51	DIO 14			
137	J1-B43	610138216			SHIELD	SHIELD	-	-	P2-50	DGND			
138	J1-C43	610138216	32 COAX		CENTER	CENTER	-	-	P2-52	GND			
139	J1-D43	610138216			SHIELD	SHIELD	-	-	P2-50	DGND			
140	J1-A44	610138216	32 COAX		CENTER	CENTER	-	-	P2-53	DIO 12			
141	J1-B44	610138216			SHIELD	SHIELD	-	-	P2-54	DGND			
142	J1-C44	610138216	32 COAX		CENTER	CENTER	-	-	P2-55	DIO 10			
143	J1-D44	610138216			SHIELD	SHIELD	-	-	P2-54	DGND			
144	J1-A45	610138216	32 COAX		CENTER	CENTER	-	-	P2-57	DIO 8			
145	J1-B45	610138216			SHIELD	SHIELD	-	-	P2-56	DGND			
146	J1-C45	610138216	32 COAX		CENTER	CENTER	-	-	P2-59	DIO 6			
147	J1-D45	610138216			SHIELD	SHIELD	-	-	P2-58	DGND			
148	J1-A46	610138216	32 COAX		CENTER	CENTER	-	-	P2-60	GND			
149	J1-B46	610138216			SHIELD	SHIELD	-	-	P2-58	DGND			
150	J1-C46	610138216	32 COAX	CENTER	CENTER	-	-	P2-61	DIO 4				
151	J1-D46	610138216		SHIELD	SHIELD	-	-	P2-62	DGND				
152	J1-A47	610138216	32 COAX	CENTER	CENTER	-	-	P2-63	DIO 2				
153	J1-B47	610138216		SHIELD	SHIELD	-	-	P2-62	DGND				
154	J1-C47	610138216	32 COAX	CENTER	CENTER	-	-	P2-64	GND				
155	J1-D47	610138216		SHIELD	SHIELD	-	-	P2-66	DGND				
156	J1-A48	610138216	32 COAX	CENTER	CENTER	-	-	P2-65	DIO 0				
157	J1-B48	610138216		SHIELD	SHIELD	-	-	P2-66	DGND				
158	J1-C48	610138216	32 COAX	CENTER	CENTER	-	-	P2-67	EXTCLKIN				
159	J1-D48	610138216		SHIELD	SHIELD	-	-	P2-68	DGND				