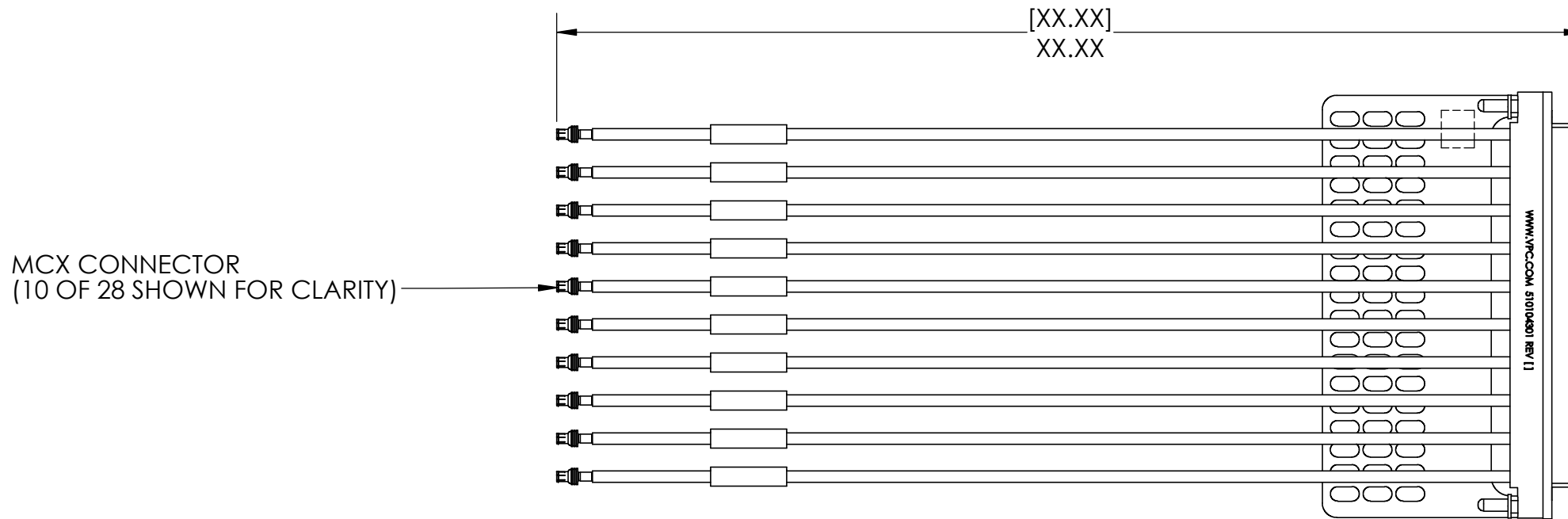


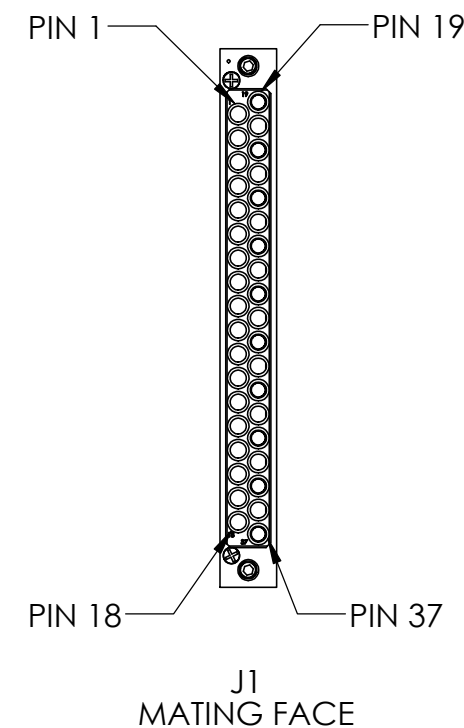
DO NOT SCALE DRAWING

THE INFORMATION CONTAINED HEREIN IS THE EXCLUSIVE PROPERTY OF VIRGINIA PANEL CORPORATION AND IS SUBMITTED FOR USE BY THE CUSTOMER ONLY. THE DATA SHALL NOT BE DUPLICATED, USED, OR DISCLOSED IN WHOLE OR IN PART FOR ANY PURPOSE OTHER THAN TO MAINTAIN THE EQUIPMENT PROVIDED. CONSULT WITH VIRGINIA PANEL CORPORATION ENGINEERING IF MORE DETAIL IS REQUIRED.


REV	DESCRIPTION	DATE	ENGINEER
A	ORIGINAL RELEASE ECN #9427	9/4/2019	M CRUZ



MCX CONNECTOR
(10 OF 28 SHOWN FOR CLARITY)



2. MATING MODULE: 510108276
MATING PATCHCORDS: 7-331116000-036

VPC P/N WHERE X =	LENGTH XX.XX"	CUSTOMER DRAWING	
1	20.00" [508]		
2	36.00" [914]	 CBA, RCV, MINI COAX TO 28 x MINI COAX PL	
6	48.00" [1219]		
9	60.00" [1524]		
5	72.00" [1829]		
RELATIVE CONNECTOR POSITIONS AND WIRE ROUTING ARE GENERIC AND MAY VARY WITH PINOUT			
DIMENSIONS ARE SHOWN AS:		DWG.NO.	REV
[MILLIMETERS] INCHES		540346010X52	A
SIZE B	SCALE NONE	CAGE CODE 18117	SHEET 1 OF 2

Run #	From Location (Conn - Pin)	Contact	Signal Desc	Wire/Patchcord P/N	Signal Desc	Contact	Label P/N
1	J1 - 1	610140101	C0	7-332116582-XXX	C0	260173	271903
2	J1 - 2	610140101	C1	7-332116582-XXX	C1	260173	271903
3	J1 - 3	610140101	C2	7-332116582-XXX	C2	260173	271903
4	J1 - 4	610140101	R0-IN	7-332116582-XXX	R0-IN	260173	271903
5	J1 - 5	610140101	R1-IN	7-332116582-XXX	R1-IN	260173	271903
6	J1 - 6	610140101	R2-IN	7-332116582-XXX	R2-IN	260173	271903
7	J1 - 7	610140101	R3-IN	7-332116582-XXX	R3-IN	260173	271903
8	J1 - 8	610140101	R4-IN	7-332116582-XXX	R4-IN	260173	271903
9	J1 - 9	610140101	R5-IN	7-332116582-XXX	R5-IN	260173	271903
10	J1 - 10	610140101	R6-IN	7-332116582-XXX	R6-IN	260173	271903
11	J1 - 11	610140101	R7-IN	7-332116582-XXX	R7-IN	260173	271903
12	J1 - 12	610140101	C6	7-332116582-XXX	C6	260173	271903
13	J1 - 13	610140101	C7	7-332116582-XXX	C7	260173	271903
14	J1 - 14	610140101	C8	7-332116582-XXX	C8	260173	271903
15	J1 - 19	610140101	C3	7-332116582-XXX	C3	260173	271903
16	J1 - 20	610140101	C4	7-332116582-XXX	C4	260173	271903
17	J1 - 21	610140101	C5	7-332116582-XXX	C5	260173	271903
18	J1 - 22	610140101	R0-OUT	7-332116582-XXX	R0-OUT	260173	271903
19	J1 - 23	610140101	R1-OUT	7-332116582-XXX	R1-OUT	260173	271903
20	J1 - 24	610140101	R2-OUT	7-332116582-XXX	R2-OUT	260173	271903
21	J1 - 25	610140101	R3-OUT	7-332116582-XXX	R3-OUT	260173	271903
22	J1 - 26	610140101	R4-OUT	7-332116582-XXX	R4-OUT	260173	271903
23	J1 - 27	610140101	R5-OUT	7-332116582-XXX	R5-OUT	260173	271903
24	J1 - 28	610140101	R6-OUT	7-332116582-XXX	R6-OUT	260173	271903
25	J1 - 29	610140101	R7-OUT	7-332116582-XXX	R7-OUT	260173	271903
26	J1 - 30	610140101	C9	7-332116582-XXX	C9	260173	271903
27	J1 - 31	610140101	C10	7-332116582-XXX	C10	260173	271903
28	J1 - 32	610140101	C11	7-332116582-XXX	C11	260173	271903

CUSTOMER DRAWING - CUSTOMER DRAWING - CUSTOMER DRAWING

THE INFORMATION CONTAINED HEREIN IS THE EXCLUSIVE PROPERTY OF VIRGINIA PANEL CORPORATION AND IS SUBMITTED FOR USE BY THE CUSTOMER ONLY. THE DATA SHALL NOT BE DUPLICATED, USED, OR DISCLOSED IN WHOLE OR IN PART FOR ANY PURPOSE OTHER THAN TO MAINTAIN THE EQUIPMENT PROVIDED.

DWG.NO.		REV	
540346010X52		A	
SIZE	SCALE	CAGE CODE	SHEET
B	NONE	18117	2 OF 2

DO NOT SCALE DRAWING